

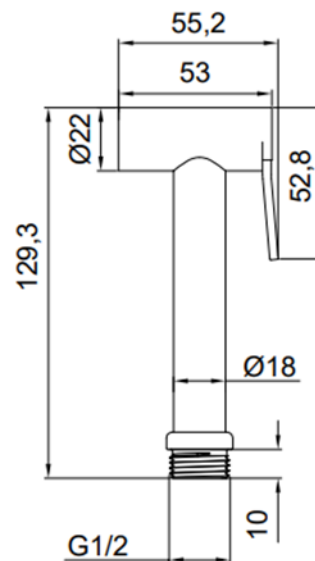
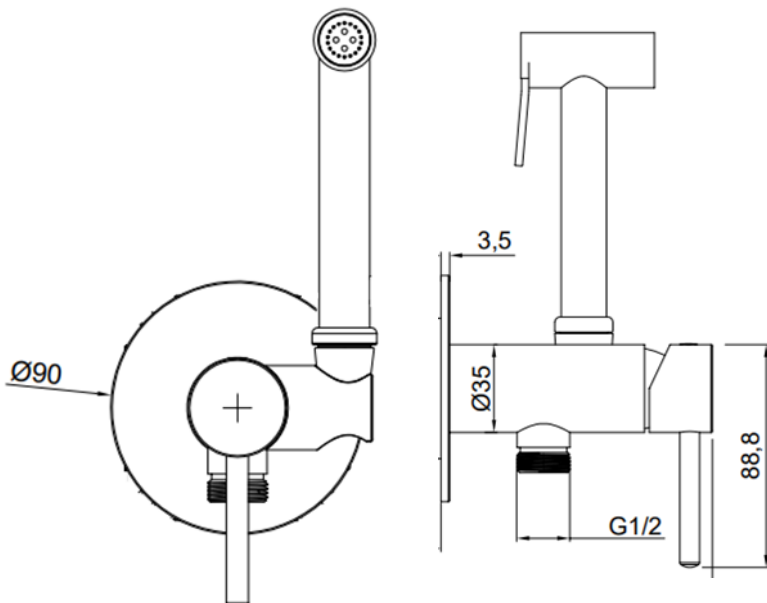
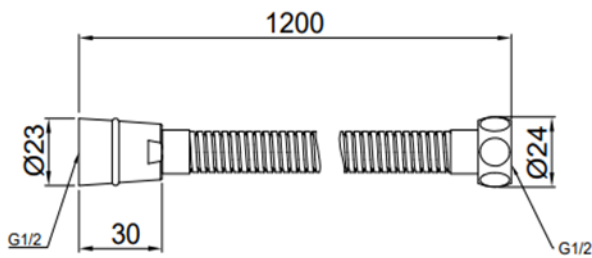
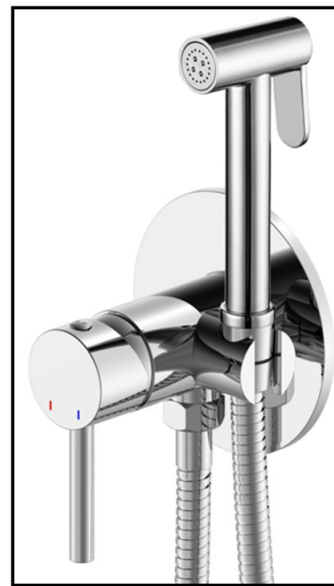
SAGITTARIUS

TAPS & SHOWERING

Construction	Brass Body; Brass Handle; Stainless steel SS304 Wall plate
Finishes	Chrome
Product Type	Contemporary
Water Pressure tested Between Cartridge	Min. 0.5 bar, Max. 6.0 bar
Fitting	25mm Ceramic disc cartridge (mixer); Sprung valve (shattaf)
Guarantee	10 years against manufacturing faults (excluding serviceable parts)
Additional Information	Stainless steel shower hose: Chrome , 1.5m , G1/2" BSP

MANUAL CONCEALED VALVE AND TRIGGER SPRAY HAND- SET KIT

HND/699/C



The information contained on this page was correct at the date of issue. Fitting dimensions are provided as a guide only. Some variation may occur due to manufacturing tolerances. We pursue a policy of continuing improvement in design and performance of our products and so reserve the right to change specifications without prior notice

FOR FURTHER ADVICE PLEASE CONTACT :-

SAGITTARIUS LTD UNIT 1 LOWER VICTORIA STREET—CHADDERTON—OLDHAM—OL9 9TU TEL:0616 6202029

EMAIL:TECHNICAL@SAGITTARIUSTAPS.CO.UK

Flow Rates (Litres per minute)

System Pressure	0.1 Bar	0.2 Bar	0.3 Bar	0.5 Bar	1.0 Bar	1.5 Bar	2.0 Bar	3.0 Bar	4.0 Bar	5.0 Bar
	2.0	2.9	3.6	4.7	6.9	8.6	10.1	12.7	14.9	16.8

