

SAGITTARIUS

TAPS & SHOWERING

Construction

Brass Body; Stainless steel Wall plate

Finishes

Brushed Gold

Product Type

Contemporary

Water Pressure Tested Between

Min. 0.5 bar, Max. 6.0 bar

Cartridge

25mm Ceramic disc cartridge

Fitting

G1/2" BSP

Guarantee

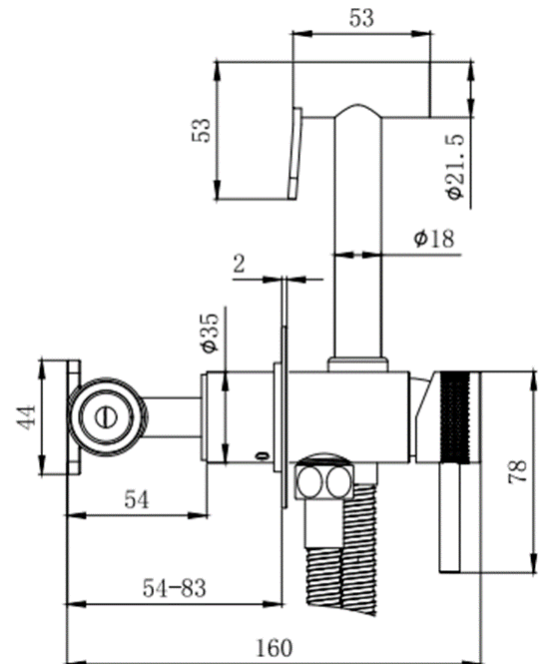
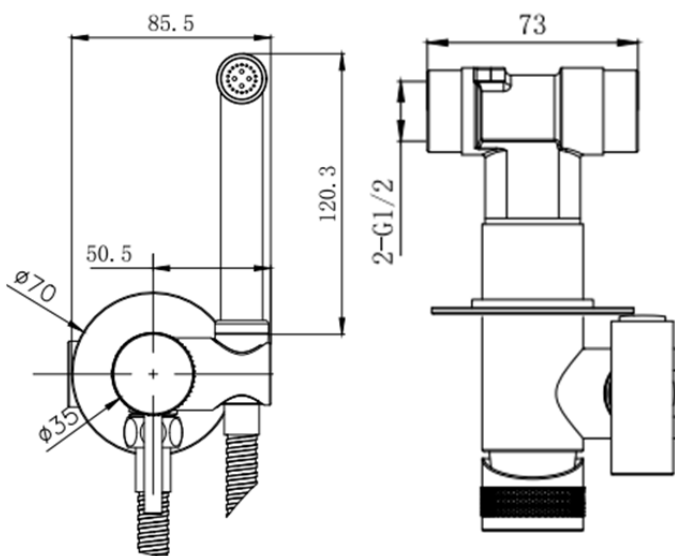
5 years against manufacturing faults (excluding serviceable parts)

Additional Information

1. Shower hose: 1.5m Stainless Steel
2. Wall Plate: Stainless Steel

MANUAL CONCEALED VALVE AND TRIGGER SPRAY HAND- SET BRUSHED BRASS

HND/699/BB



The information contained on this page was correct at the date of issue. Fitting dimensions are provided as a guide only. Some variation may occur due to manufacturing tolerances. We pursue a policy of continuing improvement in design and performance of our products and so reserve the right to change specifications without prior notice

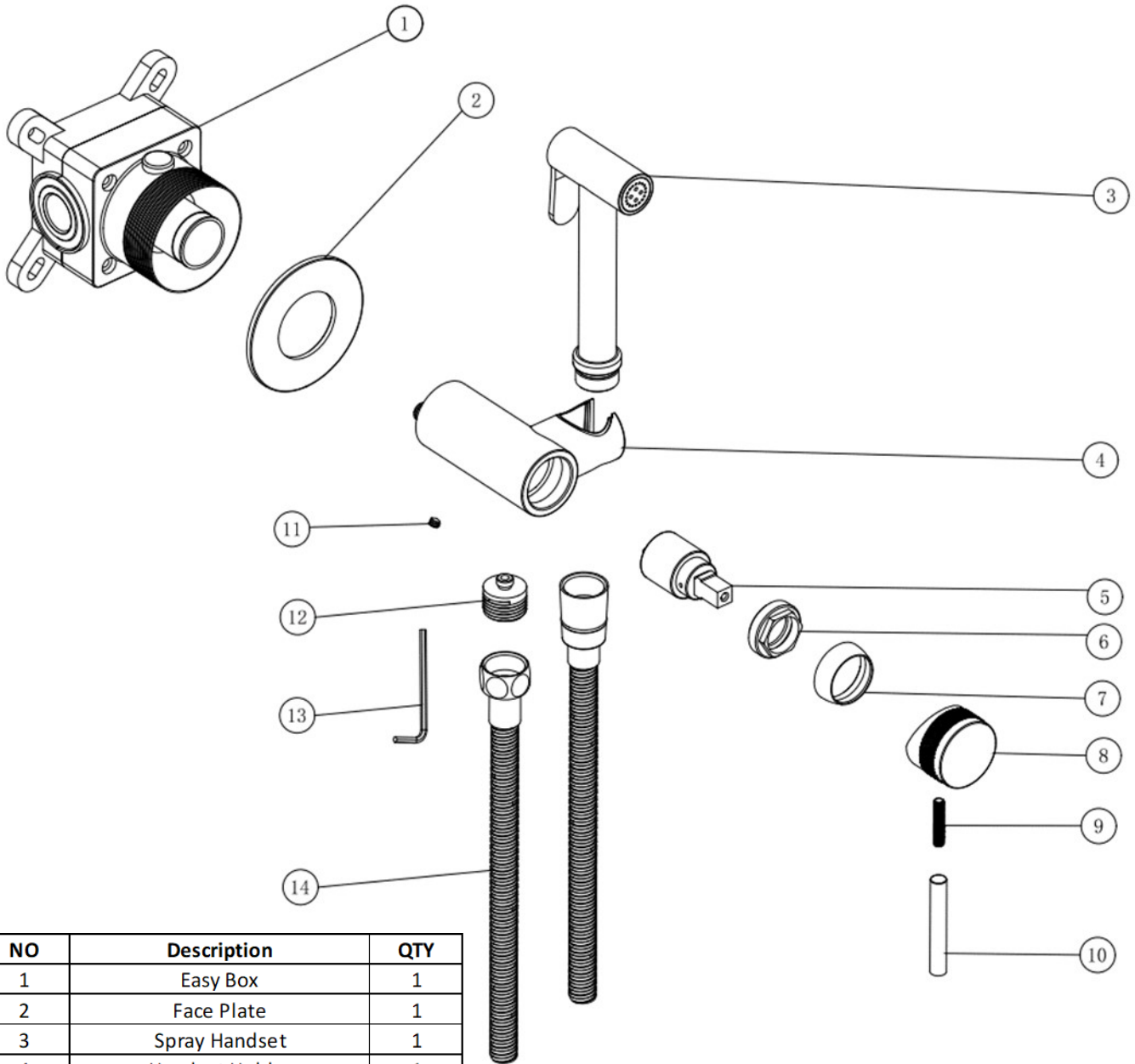
FOR FURTHER ADVICE PLEASE CONTACT :-

SAGITTARIUS LTD UNIT 1 LOWER VICTORIA STREET—CHADDERTON—OLDHAM—OL9 9TU TEL:0616 6202029

EMAIL:TECHNICAL@SAGITTARIUSTAPS.CO.UK

Flow Rates (Litres per minute)

System Pressure	0.1 Bar	0.2 Bar	0.3 Bar	0.5 Bar	1.0 Bar	1.5 Bar	2.0 Bar	3.0 Bar	4.0 Bar	5.0 Bar
	2.0	2.9	3.6	4.7	6.9	8.6	10.1	12.7	14.9	16.8



NO	Description	QTY
1	Easy Box	1
2	Face Plate	1
3	Spray Handset	1
4	Handset Holder	1
5	Cartridge	1
6	Lock Nut	1
7	Handle Collar	1
8	Handle Body	1
9	Lever	1
10	Lever Cover	1
11	Screw	1
12	Hose connector	1
13	Fitting Kit	1
14	Hose	1

FOR FURTHER ADVICE PLEASE CONTACT :-
 SAGITTARIUS LTD UNIT 1 LOWER VICTORIA STREET—CHADDERTON—OLDHAM—OL9 9TU TEL:0616 6202029
 EMAIL:TECHNICAL@SAGITTARIUSTAPS.CO.UK