

SAGITTARIUS

TAPS & SHOWERING

Construction

Finishes

Product Type

Water Pressure Tested Between

Cartridge

Fitting

Guarantee

Additional Information

Brass Body; Stainless steel Wall plate
MATT BLACK

Contemporary
Min. 0.5 bar, Max. 6.0 bar

25mm Ceramic disc cartridge

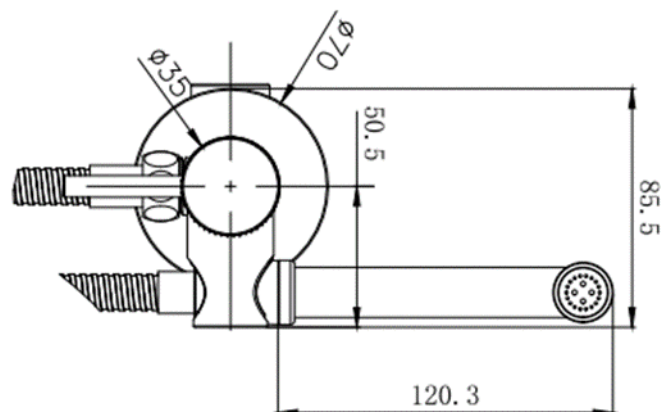
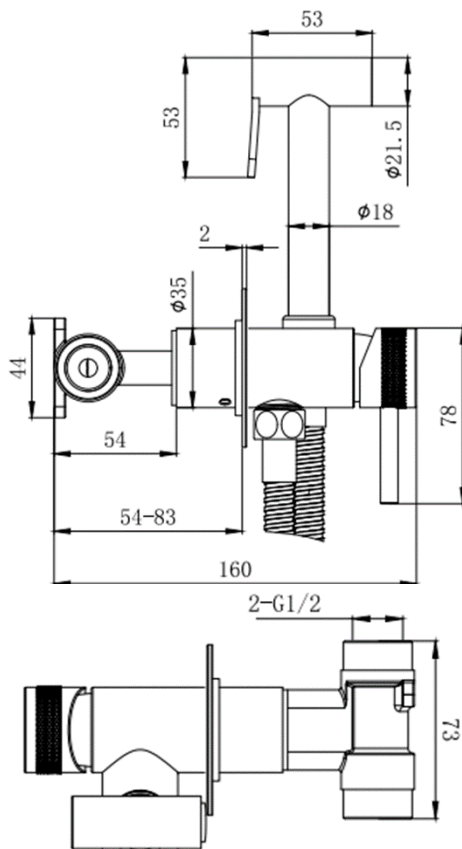
G1/2" BSP

5 years against manufacturing faults (excluding serviceable parts)

1. Shower hose: 1.5m Stainless Steel
2. Wall Plate: Stainless Steel

**MANUAL CONCEALED VALVE
AND TRIGGER SPRAY HAND-
SET MATT BLACK**

HND/699/B



The information contained on this page was correct at the date of issue. Fitting dimensions are provided as a guide only. Some variation may occur due to manufacturing tolerances. We pursue a policy of continuing improvement in design and performance of our products and so reserve the right to change specifications without prior notice

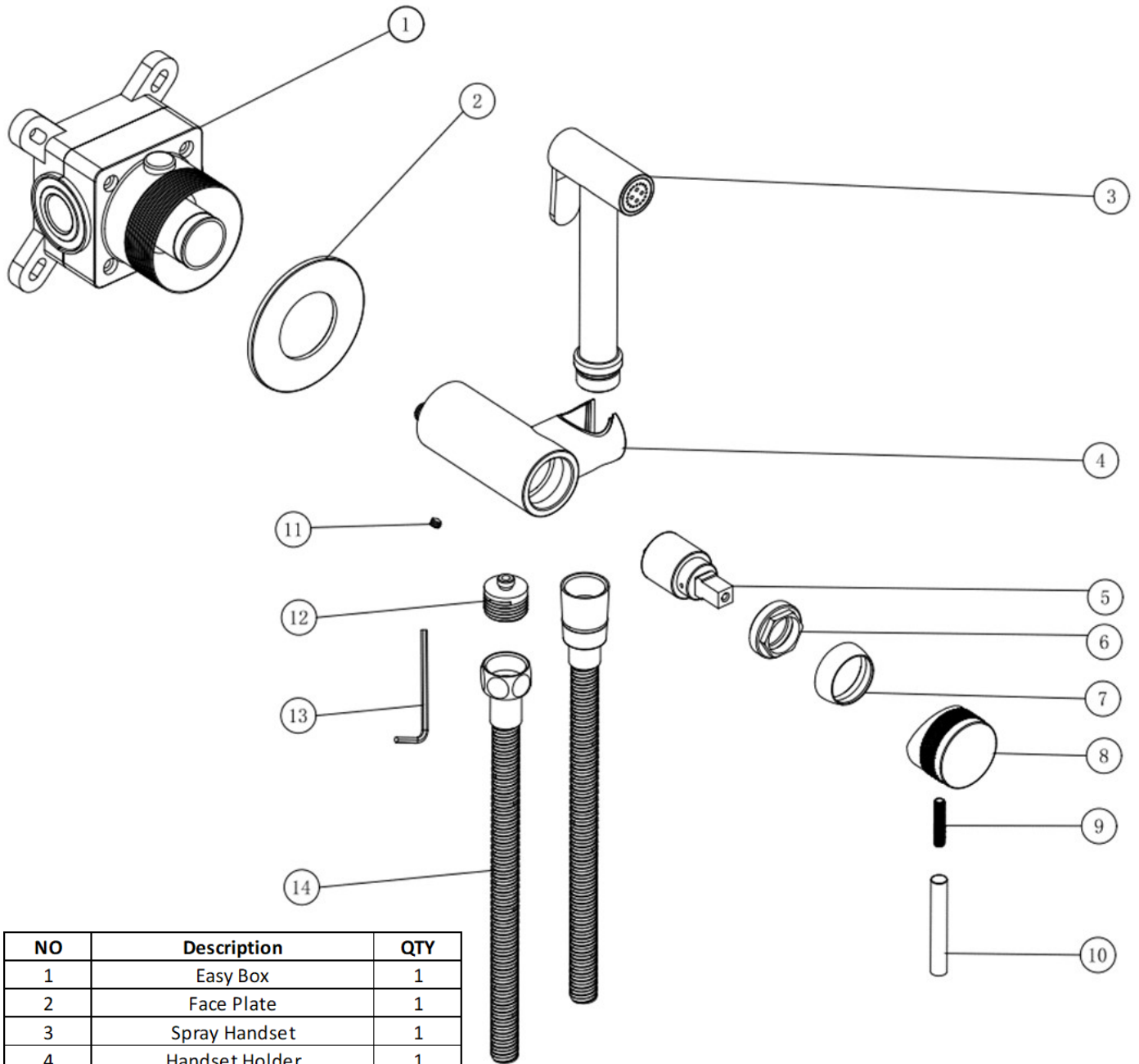
FOR FURTHER ADVICE PLEASE CONTACT :-

SAGITTARIUS LTD UNIT 1 LOWER VICTORIA STREET—CHADDERTON—OLDHAM—OL9 9TU TEL:0616 6202029

EMAIL:TECHNICAL@SAGITTARIUSTAPS.CO.UK

Flow Rates (Litres per minute)

System Pressure	0.1 Bar	0.2 Bar	0.3 Bar	0.5 Bar	1.0 Bar	1.5 Bar	2.0 Bar	3.0 Bar	4.0 Bar	5.0 Bar
	2.0	2.9	3.6	4.7	6.9	8.6	10.1	12.7	14.9	16.8



NO	Description	QTY
1	Easy Box	1
2	Face Plate	1
3	Spray Handset	1
4	Handset Holder	1
5	Cartridge	1
6	Lock Nut	1
7	Handle Coller	1
8	Handle Body	1
9	Lever	1
10	Lever Cover	1
11	Screw	1
12	Hose connector	1
13	Fitting Kit	1
14	Hose	1

FOR FURTHER ADVICE PLEASE CONTACT :-
 SAGITTARIUS LTD UNIT 1 LOWER VICTORIA STREET—CHADDERTON—OLDHAM—OL9 9TU TEL:0616 6202029
 EMAIL:TECHNICAL@SAGITTARIUSTAPS.CO.UK