

SAGITTARIUS

TAPS & SHOWERING

Construction Brass Body (H59-1), equivalent to BS CZ122 / EN CW617N / CuZn40Pb2
Finishes Chrome plated to BS EN 248
Product Type Contemporary

Water Pressure Min. 0.5 bar, Max. 6.0 bar

Tested Between

Plumbing Systems Suitable for all plumbing systems

Fitting Brass G1/2" BSP tail inlet & G1/2" BSP Male thread outlet

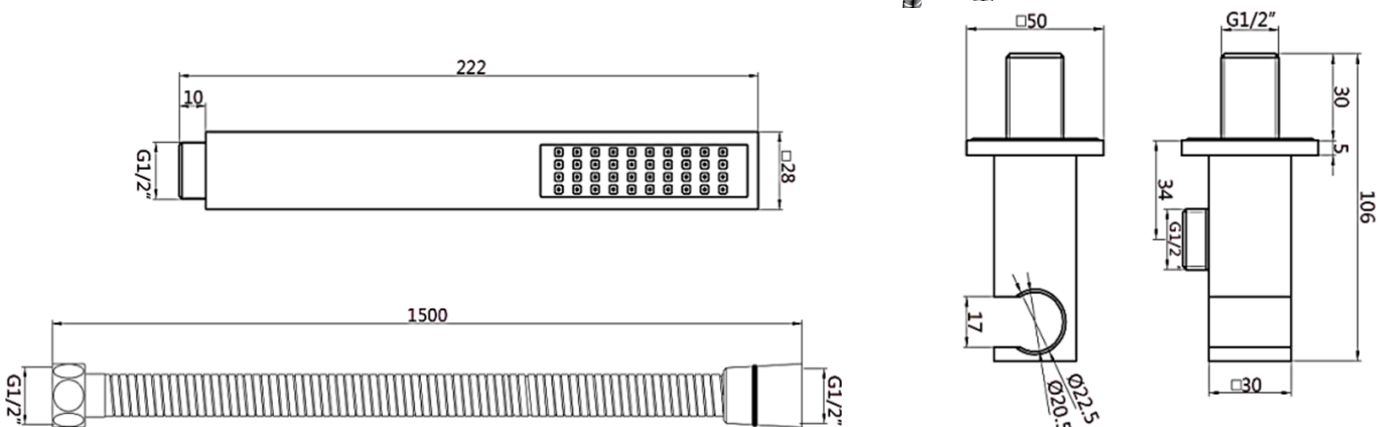
Guarantee 1 year against manufacturing faults (excluding serviceable parts)

Additional Information

1. Chrome , ABS single mode shower handset , G1/2" BSP
2. Chrome , Stainless steel shower hose , 1.5m , G1/2" BSP
3. Intergrated Brass wall elbow outlet and handset holder

SQUARE WALL MOUNTED SHOWER KIT WITH OUTLET BRACKET CHROME

HND/657/C



The information contained on this page was correct at the date of issue. Fitting dimensions are provided as a guide only. Some variation may occur due to manufacturing tolerances. We pursue a policy of continuing improvement in design and performance of our products and so reserve the right to change specifications without prior notice

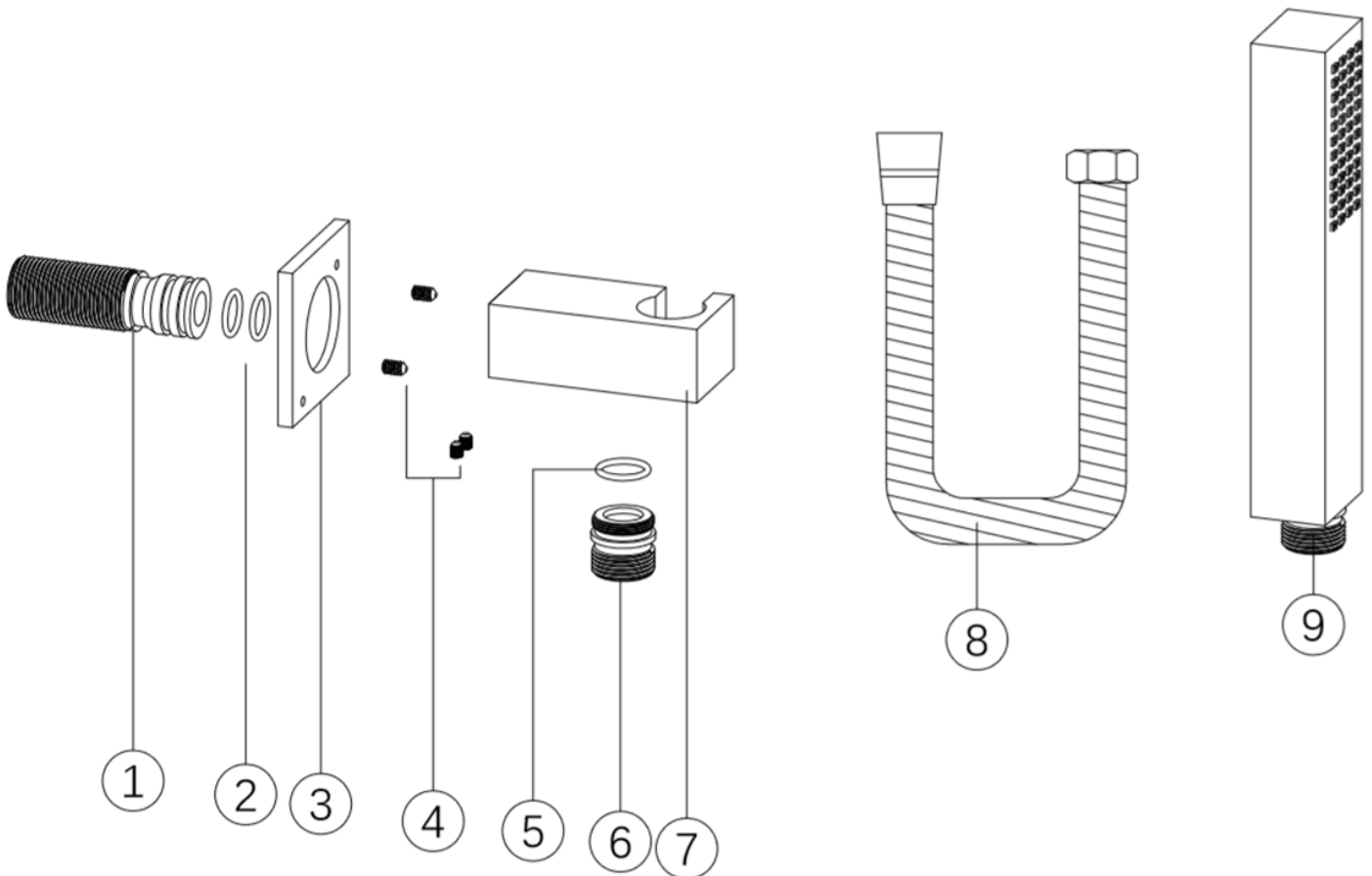
FOR FURTHER ADVICE PLEASE CONTACT :-

SAGITTARIUS LTD UNIT 1 LOWER VICTORIA STREET—CHADDERTON—OLDHAM—OL9 9TU TEL:0616 6202029

EMAIL:TECHNICAL@SAGITTARIUSTAPS.CO.UK

Flow Rates (Litres per minute)

System Pressure	0.1 Bar	0.2 Bar	0.3 Bar	0.5 Bar	1.0 Bar	1.5 Bar	2.0 Bar	3.0 Bar	4.0 Bar	5.0 Bar
	-	3.1	4.6	7.7	9.7	12.2	14.3	15.8	-	-



NO.	PARTS DESCRIPTION	QTY
1	BRASS INLET CONNECTOR	1
2	Ø20*2 NBR O-RING	2
3	BRASS BASE PLATE	1
4	M4*5 S/STEEL GRUB SCREW	4
5	NBR OUTLET CONNECTOR O-RING	1
6	BRASS OUTLET CONNECTOR	1
7	BRASS HANDSET HOLDER	1
8	1.5M PVC SHOWER HOSE	1
9	ABS SHOWER HANDSET	1

FOR FURTHER ADVICE PLEASE CONTACT :-

SAGITTARIUS LTD UNIT 1 LOWER VICTORIA STREET—CHADDERTON—OLDHAM—OL9 9TU TEL:0616 6202029

EMAIL:TECHNICAL@SAGITTARIUSTAPS.CO.UK