

SAGITTARIUS

TAPS & SHOWERING

Construction Brass Body (H59-1), equivalent to BS CZ122 / EN CW617N / CuZn40Pb2

Finishes BRUSHED BRASS

Product Type Contemporary

Water Pressure Min. 0.5 bar, Max. 6.0 bar

Tested Between

Plumbing Systems Suitable for all plumbing systems

Fitting Brass G1/2" BSP tail inlet & G1/2" BSP Male thread outlet

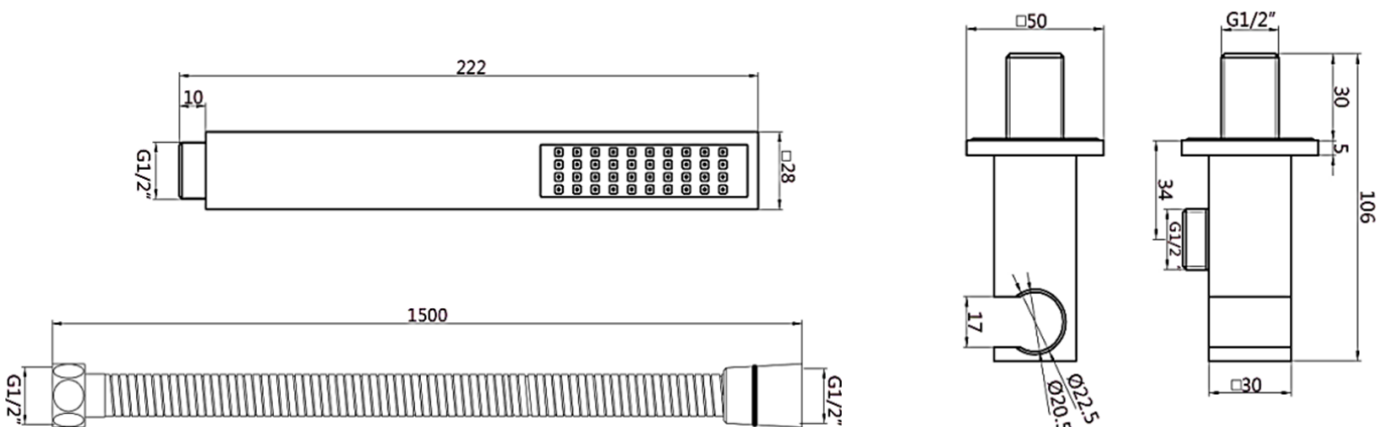
Guarantee 1 year against manufacturing faults (excluding serviceable parts)

Additional Information

1. Chrome , ABS single mode shower handset , G1/2" BSP
2. Chrome , Stainless steel shower hose , 1.5m , G1/2" BSP
3. Intergrated Brass wall elbow outlet and handset holder

**SQUARE WALL MOUNTED
SHOWER KIT WITH OUTLET
BRACKET BRUSHED BRASS**

HND/657/BB



The information contained on this page was correct at the date of issue. Fitting dimensions are provided as a guide only. Some variation may occur due to manufacturing tolerances. We pursue a policy of continuing improvement in design and performance of our products and so reserve the right to change specifications without prior notice

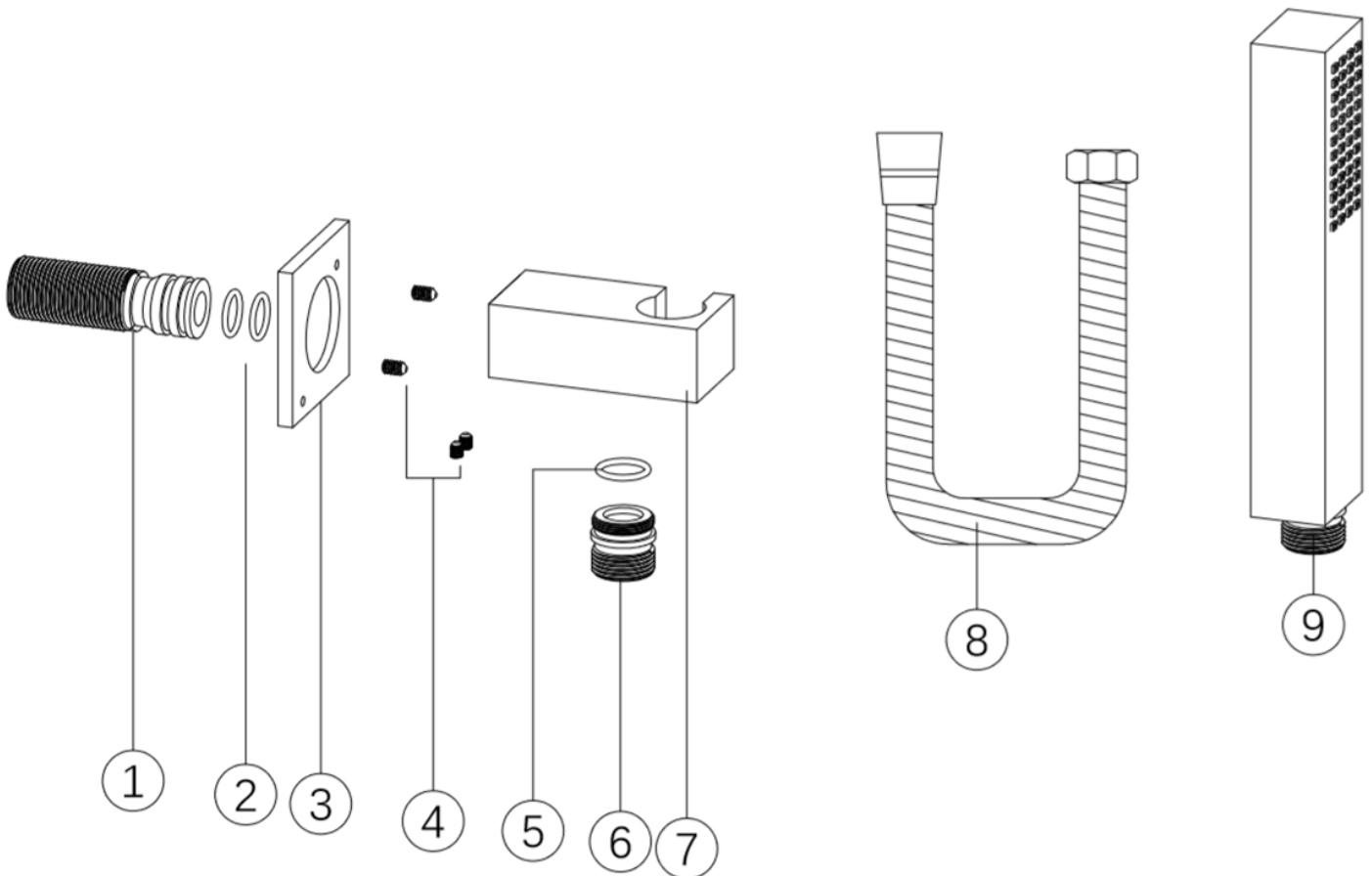
FOR FURTHER ADVICE PLEASE CONTACT :-

SAGITTARIUS LTD UNIT 1 LOWER VICTORIA STREET—CHADDERTON—OLDHAM—OL9 9TU TEL:0616 6202029

EMAIL:TECHNICAL@SAGITTARIUSTAPS.CO.UK

Flow Rates (Litres per minute)

System Pressure	0.1 Bar	0.2 Bar	0.3 Bar	0.5 Bar	1.0 Bar	1.5 Bar	2.0 Bar	3.0 Bar	4.0 Bar	5.0 Bar
	-	3.1	4.6	7.7	9.7	12.2	14.3	15.8	-	-



NO.	PARTS DESCRIPTION	QTY
1	BRASS INLET CONNECTOR	1
2	Ø20*2 NBR O-RING	2
3	BRASS BASE PLATE	1
4	M4*5 S/STEEL GRUB SCREW	4
5	NBR OUTLET CONNECTOR O-RING	1
6	BRASS OUTLET CONNECTOR	1
7	BRASS HANDSET HOLDER	1
8	1.5M PVC SHOWER HOSE	1
9	ABS SHOWER HANDSET	1

FOR FURTHER ADVICE PLEASE CONTACT :-

SAGITTARIUS LTD UNIT 1 LOWER VICTORIA STREET—CHADDERTON—OLDHAM—OL9 9TU TEL:0616 6202029

EMAIL:TECHNICAL@SAGITTARIUSTAPS.CO.UK