

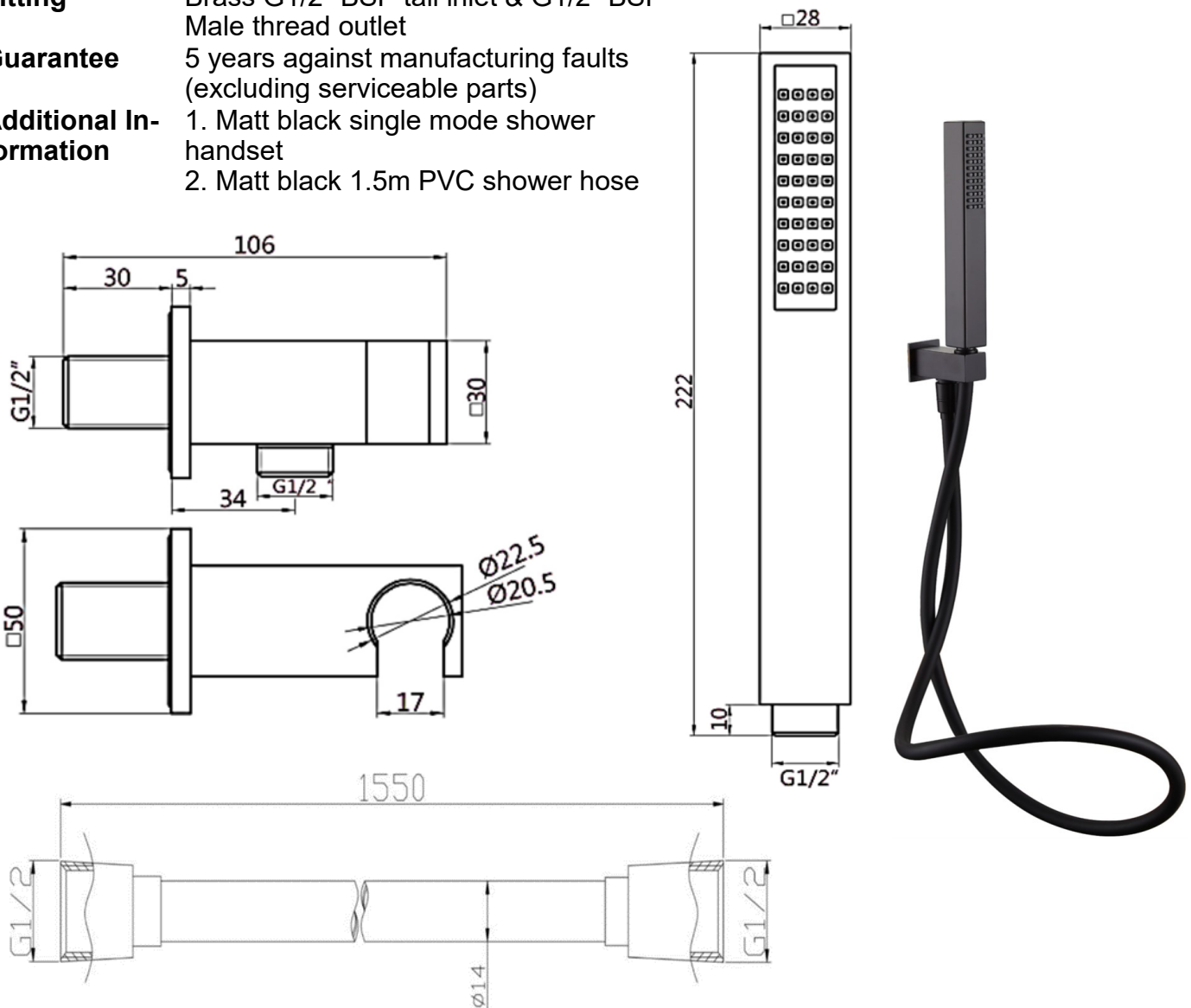
# SAGITTARIUS

## TAPS & SHOWERING

<b>Construction</b>	Brass Body
<b>Finishes</b>	Matt Black
<b>Product Type</b>	Contemporary
<b>Water Pressure Tested Between Fitting</b>	Min. 0.5 bar, Max. 6.0 bar
<b>Guarantee</b>	5 years against manufacturing faults (excluding serviceable parts)
<b>Additional Information</b>	1. Matt black single mode shower handset 2. Matt black 1.5m PVC shower hose

### SQUARE WALL MOUNTED SHOWER KIT WITH OUTLET BRACKET BLACK

HND/657/B



The information contained on this page was correct at the date of issue. Fitting dimensions are provided as a guide only. Some variation may occur due to manufacturing tolerances. We pursue a policy of continuing improvement in design and performance of our products and so reserve the right to change specifications without prior notice

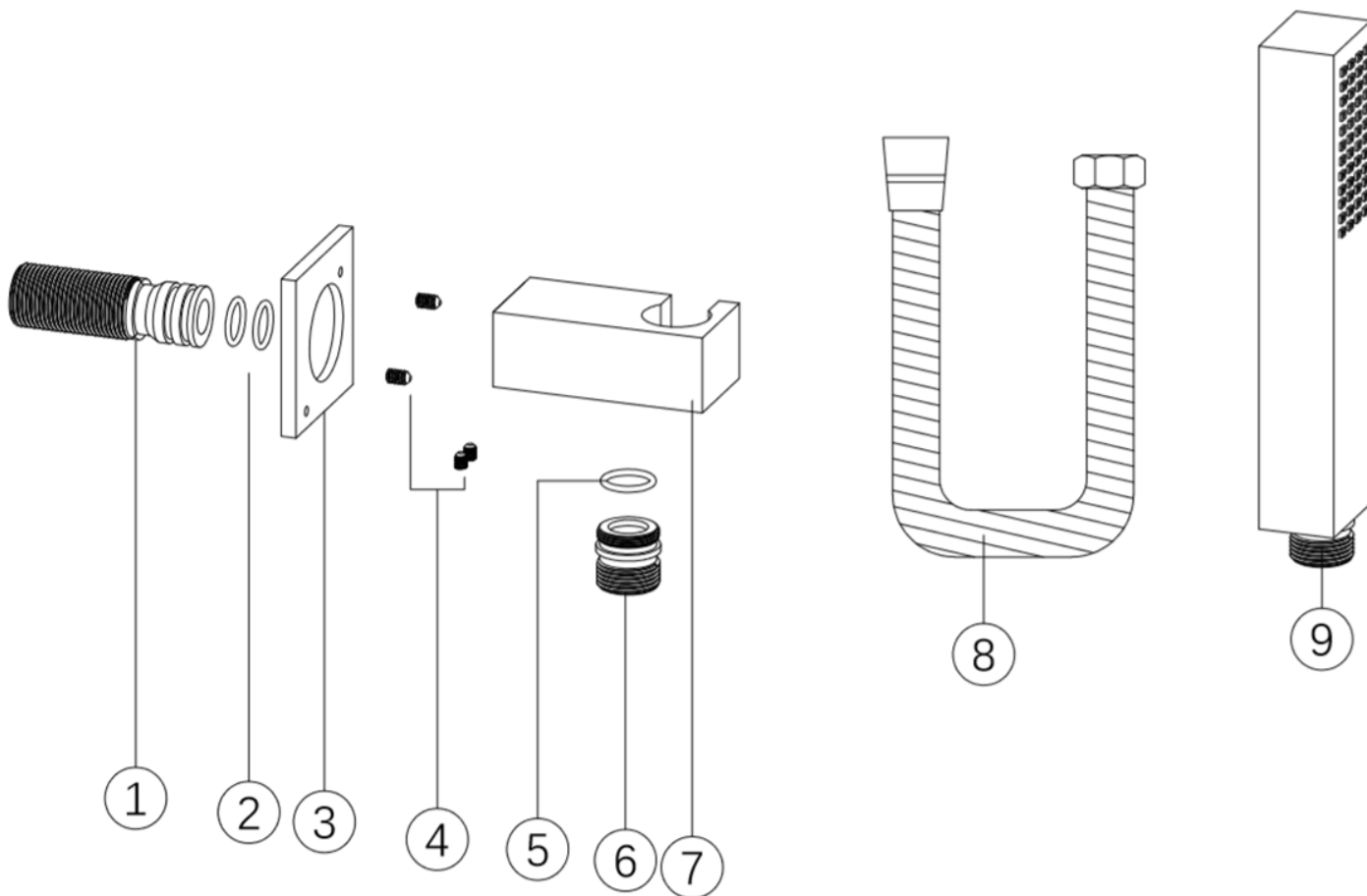
FOR FURTHER ADVICE PLEASE CONTACT :-

SAGITTARIUS LTD UNIT 1 LOWER VICTORIA STREET—CHADDERTON—OLDHAM—OL9 9TU TEL:0616 6202029

EMAIL:TECHNICAL@SAGITTARIUSTAPS.CO.UK

**Flow Rates** (Litres per minute)

System Pressure	0.1 Bar	0.2 Bar	0.3 Bar	0.5 Bar	1.0 Bar	1.5 Bar	2.0 Bar	3.0 Bar	4.0 Bar	5.0 Bar
	-	3.1	4.6	7.7	9.7	12.2	14.3	15.8	-	-



NO.	PARTS DESCRIPTION	QTY
1	BRASS INLET CONNECTOR	1
2	∅20*2 NBR O-RING	2
3	BRASS BASE PLATE	1
4	M4*5 S/STEEL GRUB SCREW	4
5	NBR OUTLET CONNECTOR O-RING	1
6	BRASS OUTLET CONNECTOR	1
7	BRASS HANDSET HOLDER	1
8	1.5M PVC SHOWER HOSE	1
9	ABS SHOWER HANDSET	1

FOR FURTHER ADVICE PLEASE CONTACT :-

SAGITTARIUS LTD UNIT 1 LOWER VICTORIA STREET—CHADDERTON—OLDHAM—OL9 9TU TEL:0616 6202029

EMAIL:TECHNICAL@SAGITTARIUSTAPS.CO.UK