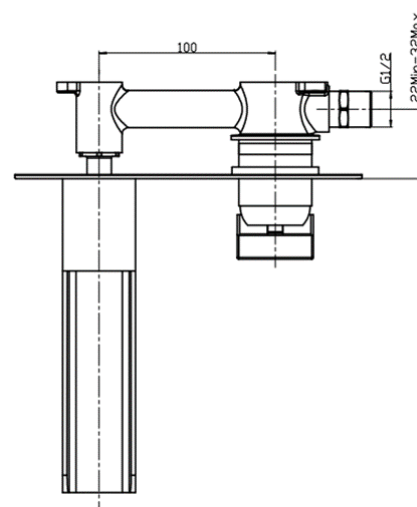
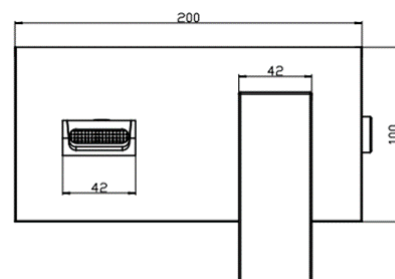


# SAGITTARIUS

## TAPS & SHOWERING

### FLOW WALL MOUNTED BASIN MIXER FL/170

<b>Construction</b>	Brass Body, Zinc-alloy Handle
<b>Finishes</b>	Chrome plated to BS EN 248
<b>Product Type</b>	Contemporary
<b>Water Pressure Tested Between Standards</b>	Min. 0.2 bar, Max. 6.0 bar
<b>Compliance</b>	Complies with BS5412, BS EN200
<b>Cartridge</b>	35mm Ceramic disc cartridge
<b>Aerator</b>	Laminar spout with filter mesh
<b>Fitting</b>	Brass G½" BSP Female thread
<b>Guarantee</b>	10 years against manufacturing faults (excluding serviceable parts)



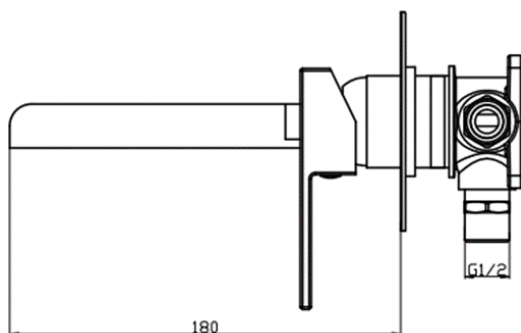
### Operating Water Pressure



**COMBI BOILER**  
1.2 - 1.5+ bar



**HIGH PRESSURE**  
1.2 - 1.5+ bar



The information contained on this page was correct at the date of issue. Fitting dimensions are provided as a guide only. Some variation may occur due to manufacturing tolerances. We pursue a policy of continuing improvement in design and performance of our products and so reserve the right to change specifications without prior notice

FOR FURTHER ADVICE PLEASE CONTACT :-

SAGITTARIUS LTD UNIT 1 LOWER VICTORIA STREET—CHADDERTON—OLDHAM—OL9 9TU TEL:0616 6202029

EMAIL:TECHNICAL@SAGITTARIUSTAPS.CO.UK

