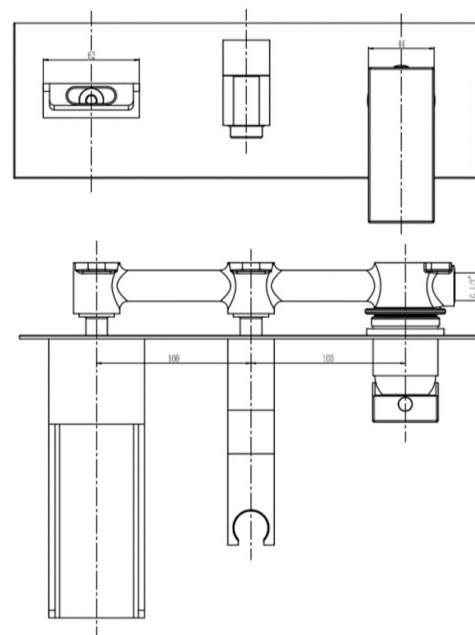


SAGITTARIUS

TAPS & SHOWERING

Construction	Brass Body, Stainless steel Face plate;
Finishes	Chrome plated
Product Type	Contemporary
Water Pressure Test- ed Between	Min. 0.2 bar (Handset) 0.2 bar (Spout), Max. 6.0 bar
Standards	Complies with BS5412, BS EN200
Cartridge	35mm Ceramic disc cartridge
Aerator	Laminar spout with filter mesh
Fitting	Brass G1/2" BSP Female thread & Stain- less steel G1/2" Flexible connecting
Guarantee	10 years against manufacturing faults
Additional Information	1. Chrome Stainless steel 1.5m shower hose, single mode ABS shower handset 2. Ceramic disc diverter , 1/2"

FLOW WALL MOUNTED BATH SHOWER FL/116



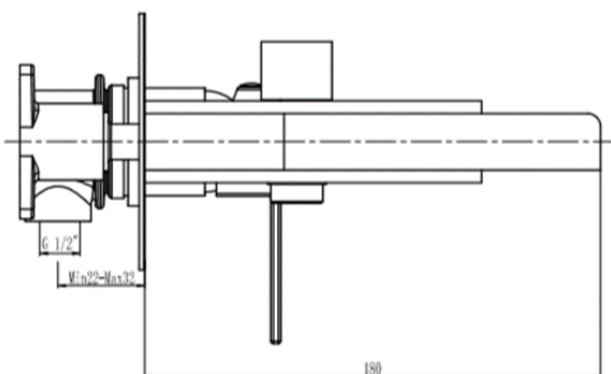
Operating Water Pressure



COMBI BOILER
1.2 - 1.5+ bar



HIGH PRESSURE
1.2 - 1.5+ bar



The information contained on this page was correct at the date of issue. Fitting dimensions are provided as a guide only. Some variation may occur due to manufacturing tolerances. We pursue a policy of continuing improvement in design and performance of our products and so reserve the right to change specifications without prior notice

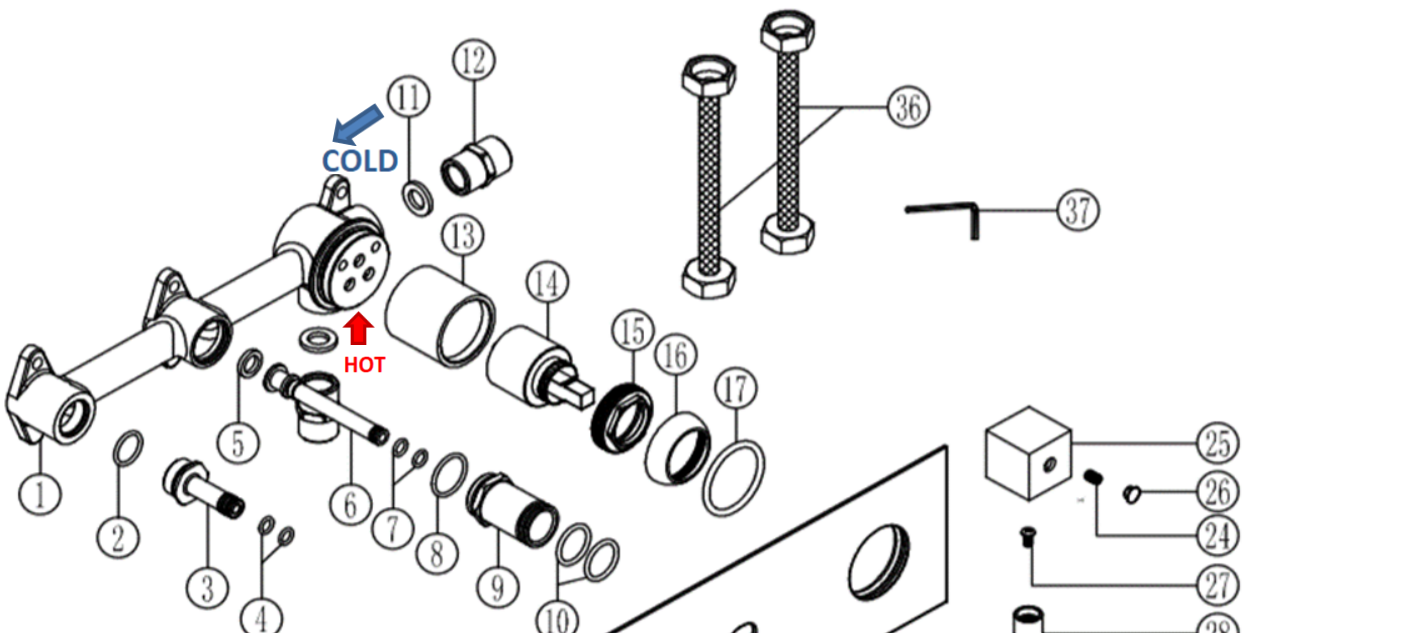
FOR FURTHER ADVICE PLEASE CONTACT :-

SAGITTARIUS LTD UNIT 1 LOWER VICTORIA STREET—CHADDERTON—OLDHAM—OL9 9TU TEL:0616 6202029

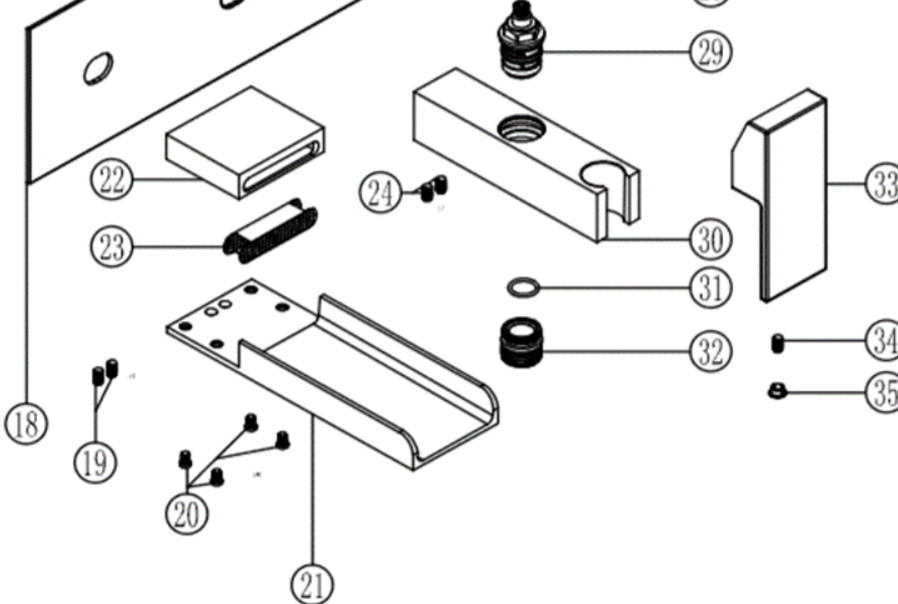
EMAIL:TECHNICAL@SAGITTARIUSTAPS.CO.UK

Flow Rates (Litres per minute)

System Pressure	0.1 Bar	0.2 Bar	0.3 Bar	0.5 Bar	1.0 Bar	1.5 Bar	2.0 Bar	3.0 Bar	4.0 Bar	5.0 Bar
	-	3.5	-	5.2	7.3	-	10.4	12.4	-	16.3



NO.	PARTS DESCRIPTION	QTY
1	BRASS VALVE BODY	1
2	Ø20*2 BRASS O-RING	1
3	BRASS SPOUT CONNECTOR	1
4	Ø11*1.5 NBR O-RING	2
5	Ø13*1.5 BRASS O-RING	1
6	BRASS CONNECTOR ROD	1
7	Ø9*1.7 NBR O-RING	2
8	Ø25*2 NBR O-RING	1
9	BRASS CONNECTOR ROD	1
10	Ø24*2 NBR O-RING	2
11	Ø19*11*2.5 NBR WASHER	2
12	1/2*1/2 BRASS PIPE CONNECTOR	1
13	BRASS CARTRIDGE COVER	1
14	35MM WANHAI CARTRIDGE	1
15	BRASS LOCK NUT	1
16	PLASTIC HANDLE COLLAR	1
17	Ø46*2.5 NBR O-RING	1
18	S/STEEL FACE PLATE	1
19	5*4 S/STEEL GRUB SCREWS	2
20	5*8 S/STEEL SPOUT SCREWS	4
21	BRASS SPOUT	1
22	BRASS SPOUT COVER	1
23	S/STEEL 304 SPOUT FILTER MESH	1
24	5*6 S/STEEL GRUB SCREWS	1
25	BRASS DIVERTER HANDLE	1
26	Ø5.2 PLASTIC GRUB SCREW COVER	1
27	4*9 S/STEEL CROSS HEAD SCREW	1
28	PVC CORE ADAPTOR	1
29	1/2" DIVERTER CARTRIDGE	1
30	BRASS HANDSET HOLDER	1
31	Ø16*2 NBR O-RING	1
32	1/2" BRASS HOSE CONNECTOR	1
33	ZINC-ALLOY HANDLE	1
34	5*8 S/STEEL GRUB SCREW	1
35	Ø6.8 PLASTIC GRUB SCREW COVER	1
36	1/2*1/2*150 S/STEEL FLEXITAILS	2
37	2.5 S/STEEL ALLEN KEY	1



FOR FURTHER ADVICE PLEASE CONTACT :-
 SAGITTARIUS LTD UNIT 1 LOWER VICTORIA STREET—CHADDERTON—OLDHAM—OL9 9TU TEL:0616 6202029
 EMAIL:TECHNICAL@SAGITTARIUSTAPS.CO.UK