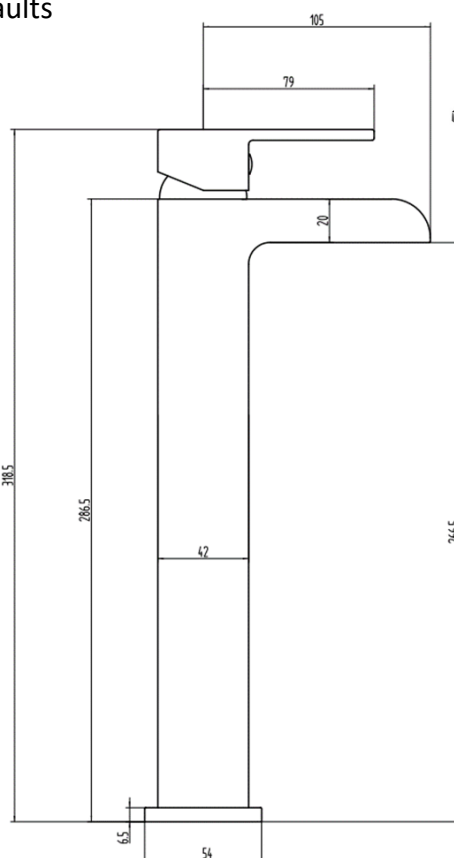
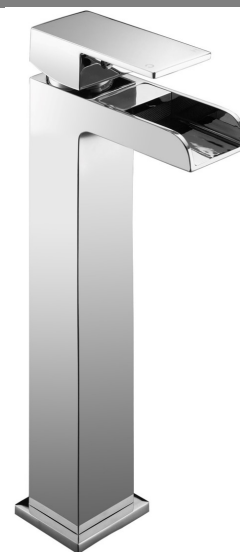


SAGITTARIUS

TAPS & SHOWERING

FLOW TALL MONO BASIN MIXER FL/109

Construction	Brass Body, Zinc-alloy Handle
Finishes	Chrome plated to BS EN 248
Product Type	Contemporary
Water Pressure Tested Between Standards	Min. 0.2 bar, Max. 6.0 bar
Cartridge	35mm Ceramic disc cartridge
Aerator	Laminar spout with filter mesh
Fitting	UK: M10 x 350mm G½" BSP Female Flexi Tails EU: M10 x 350mm G3/8" BSP Female Flexi Tails
Guarantee	10 years against manufacturing faults (excluding serviceable parts)
Water Operating Pressure	



COMBI BOILER
1.2 - 1.5+ bar



HIGH PRESSURE
1.2 - 1.5+ bar

The information contained on this page was correct at the date of issue. Fitting dimensions are provided as a guide only. Some variation may occur due to manufacturing tolerances. We pursue a policy of continuing improvement in design and performance of our products and so reserve the right to change specifications without prior notice

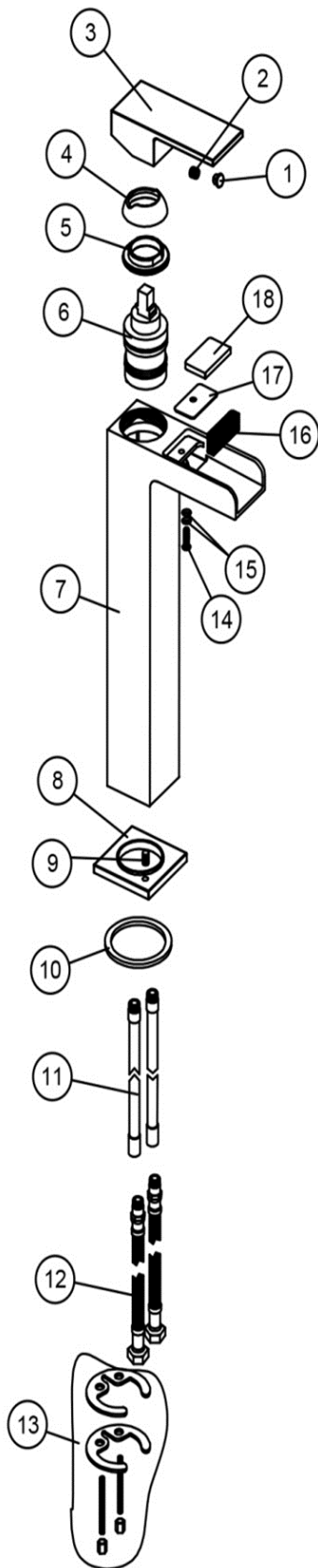
FOR FURTHER ADVICE PLEASE CONTACT :-

SAGITTARIUS LTD UNIT 1 LOWER VICTORIA STREET—CHADDERTON—OLDHAM—OL9 9TU TEL:0616 6202029

EMAIL:TECHNICAL@SAGITTARIUSTAPS.CO.UK

Flow Rates (Litres per minute)

System Pressure	0.1 Bar	0.2 Bar	0.3 Bar	0.5 Bar	1.0 Bar	1.5 Bar	2.0 Bar	3.0 Bar	4.0 Bar	5.0 Bar
	2.6	5.0	-	7.6	10.2	13.5	15.6	18.9	-	-



NO.	ITEM CODE	DESCRIPTION	QTY
1	ZB08-01	INDICE	1
2	ZB08-02	SCREW	1
3	ZB08-03	HANDLE	1
4	ZB08-04	CARTRIDGE COVER	1
5	ZB08-05	CARTRIDGE NUT	1
6	ZB08-06	35 HIGH BASE ONE-PIECE CARTRIDGE	1
7	ZB08-07	TAP BODY	1
8	ZB08-08	BASE PLATE	1
9	ZB08-09	SCREW	1
10	ZB08-10	WASHER	1
11	ZB08-11	INLET PIPE	2
12	ZB08-12	M10*1'400 FLEXI TAILS	2
13	ZB08-13	M6 FIXING KIT	1
14	ZB08-14	SCREW	1
15	ZB08-15	"O" RING	2
16	ZB08-16	FILTER	1
17	ZB08-17	SEAL COVER	1
18	ZB08-18	SEAL COVER	1

FOR FURTHER ADVICE PLEASE CONTACT :-

SAGITTARIUS LTD UNIT 1 LOWER VICTORIA STREET—CHADDERTON—OLDHAM—OL9 9TU TEL:0616 6202029

EMAIL:TECHNICAL@SAGITTARIUSTAPS.CO.UK