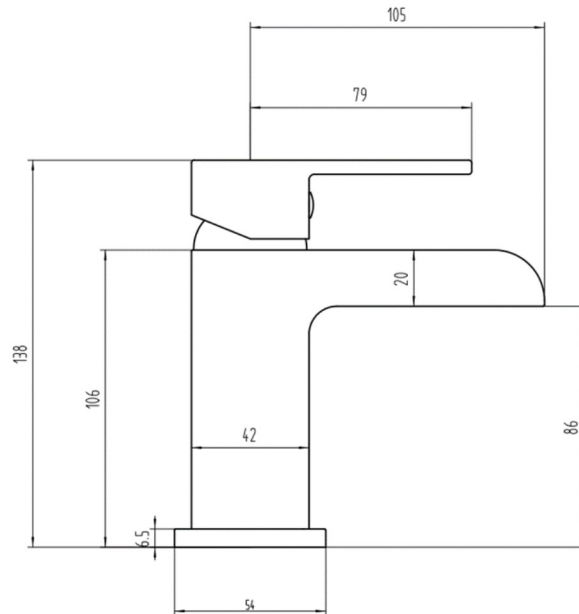
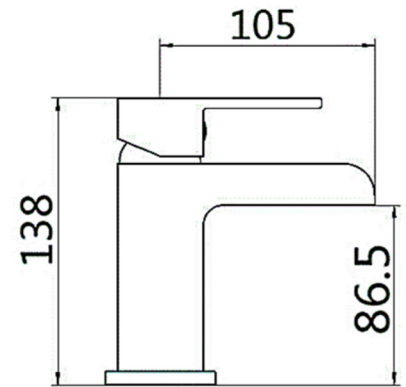


# SAGITTARIUS

## TAPS & SHOWERING

### FLOW CASCADE MONO BASIN MIXER CHROME FL/106/C

<b>Construction</b>	Brass Body CuZn40Pb2, EN CW617N (equivalent to BS CZ122) Zinc alloy Handle
<b>Finishes</b>	Chrome plated to BS EN 248
<b>Product Type</b>	Contemporary
<b>Water Pressure</b>	Min. 0.1 bar, Max. 6.0 bar
<b>Plumbing Systems</b>	Suitable for all plumbing systems
<b>Standards</b>	Complies with BS6920, BS EN200
<b>Certification</b>	-
<b>Net Weight (Tap only)</b>	820g
<b>Cartridge</b>	35mm Ceramic Disc Cartridge
<b>Aerator</b>	Laminar spout
<b>Fitting</b>	UK: M10 x 350mm 1/2" BSP Female Flexi Tails . EU: M10x350mm 3/8" BSP Female Flexi Tails.
<b>Packaging</b>	35.5x26.5x42cm/carton(10pcs), Box size: 26x17x8cm, Weight: 1.32kg/pcs
<b>Guarantee</b>	10 years against manufacturing faults (excluding serviceable parts).
<b>Additional Information</b>	Supplied with G 1 1/4" sprung waste(UK only)



### Flow Rates (Litres per minute)

System Pressure	0.1 Bar	0.2 Bar	0.3 Bar	0.5 Bar	1.0 Bar	1.5 Bar	2.0 Bar	3.0 Bar	4.0 Bar	5.0 Bar
FL/106/C	5.7	7.1	-	9.8	13.5	16.2	18.5	22.8	-	-

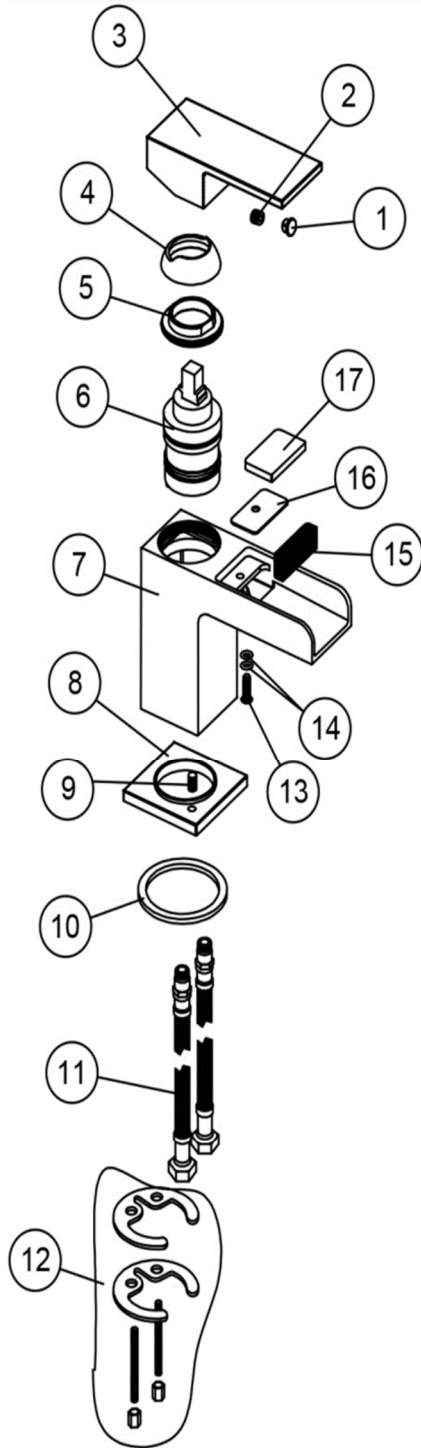
The information contained on this page was correct at the date of issue. Fitting dimensions are provided as a guide only. Some variation may occur due to manufacturing tolerances. We pursue a policy of continuing improvement in design and performance of our products and so reserve the right to change specifications without prior notice

FOR FURTHER ADVICE PLEASE CONTACT :-

SAGITTARIUS LTD UNIT 1 LOWER VICTORIA STREET—CHADDERTON—OLDHAM—OL9 9TU TEL:0616 6202029

EMAIL:TECHNICAL@SAGITTARIUSTAPS.CO.UK

## Exploded diagram FL/106/C



	DESCRIPTION	QTY
-01	INDICE	1
-02	SCREW	1
-03	HANDLE	1
-04	PLASTIC COVER	1
-05	CARTRIDGE NUT	1
-06	35 UP-SEAL CARTRIDGE	1
-07	BODY	1
-08	BASE PLATE	1
-09	SCREW	1
-10	WASHER	1
-11	M10*1*400 FLEXI TAILS	2
-12	M6 FIXING KIT	1
-13	SCREW	1
-14	"O" RING	1
-15	BRAIDED FILTER	1
-16	WASHER	1
-17	COVER	1

The information contained on this page was correct at the date of issue. Fitting dimensions are provided as a guide only. Some variation may occur due to manufacturing tolerances. We pursue a policy of continuing improvement in design and performance of our products and so reserve the right to change specifications without prior notice

FOR FURTHER ADVICE PLEASE CONTACT :-  
 SAGITTARIUS LTD UNIT 1 LOWER VICTORIA STREET—CHADDERTON—OLDHAM—OL9 9TU TEL:0616 6202029  
 EMAIL:TECHNICAL@SAGITTARIUSTAPS.CO.UK