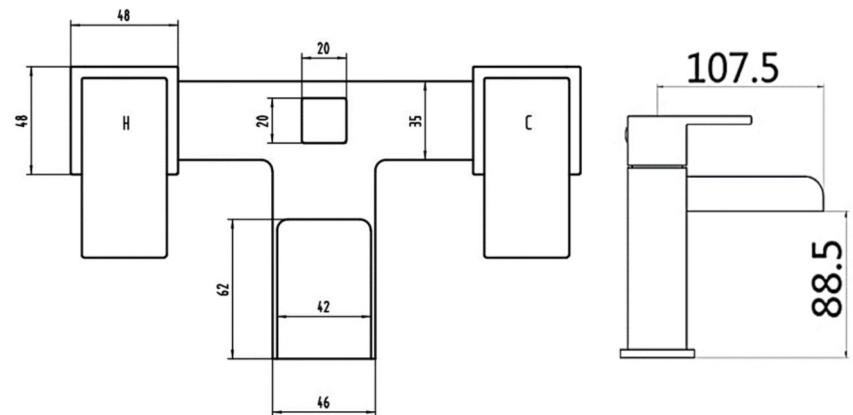
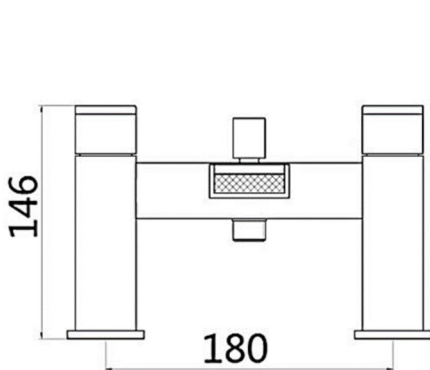
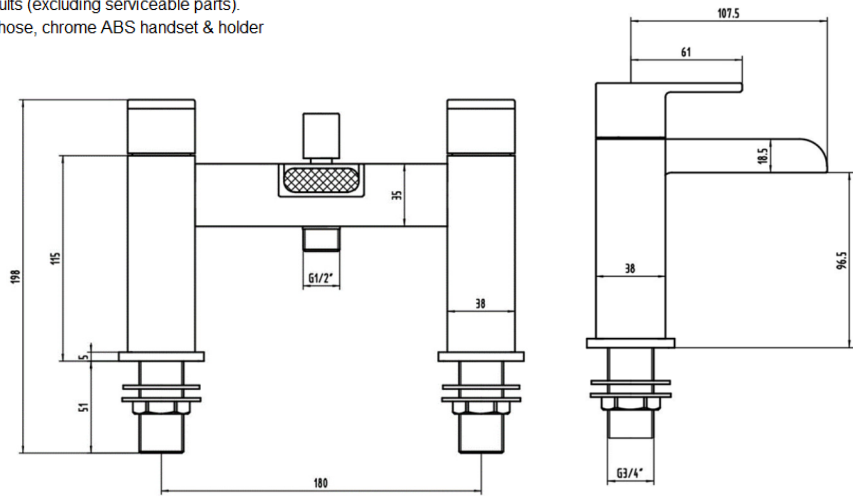


# SAGITTARIUS

## TAPS & SHOWERING

<b>Construction</b>	Brass Body CuZn40Pb2, EN CW617N (equivalent to BS CZ122) Zinc alloy Handle
<b>Finishes</b>	Chrome plated to BS EN 248
<b>Product Type</b>	Contemporary
<b>Water Pressure</b>	Min. 0.2 bar, Max. 6.0 bar
<b>Plumbing Systems</b>	Suitable for all plumbing systems
<b>Standards</b>	Complies with BS5412, BS EN200
<b>Certification</b>	-
<b>Cartridge</b>	1/4 Turn 3/4" Ceramic Disc Valves
<b>Net Weight (Tap only)</b>	2603g
<b>Aerator</b>	Laminar spout
<b>Fitting</b>	3/4" BSP Tail
<b>Packaging</b>	47.5x34.5x28cm/carton(4pcs), Box size: 25x21.5x15.5cm, Weight: 3.32kg/pcs
<b>Guarantee</b>	10 years against manufacturing faults (excluding serviceable parts).
<b>Additional Information</b>	Supplied with stainless steel 1.5m hose, chrome ABS handset & holder

### FLOW CASCADE BATH SHOWER MIXER CHROME FL/105/C



### Flow Rates (Litres per minute)

System Pressure	0.1 Bar	0.2 Bar	0.3 Bar	0.5 Bar	1.0 Bar	1.5 Bar	2.0 Bar	3.0 Bar	4.0 Bar	5.0 Bar
FL/105/C	5.3	8.6	-	14.9	22.2	27.2	31.5	40	-	-

The information contained on this page was correct at the date of issue. Fitting dimensions are provided as a guide only. Some variation may occur due to manufacturing tolerances. We pursue a policy of continuing improvement in design and performance of our products and so reserve the right to change specifications without prior notice

FOR FURTHER ADVICE PLEASE CONTACT :-

SAGITTARIUS LTD UNIT 1 LOWER VICTORIA STREET—CHADDERTON—OLDHAM—OL9 9TU TEL:0616 6202029

EMAIL:TECHNICAL@SAGITTARIUSTAPS.CO.UK

## Exploded diagram FL/105/C

ITEM CODE	DESCRIPTION	QTY	NO.	ITEM CODE	DESCRIPTION	QTY
ZB04-21	SCREW	2	1	ZB04-01	HANDLE	1
ZB04-22	"O" RING	2	2	ZB04-02	SCREW	1
ZB04-23	DIVERTOR	1	3	ZB04-03	HANDLE CAP	1
ZB04-24	CONNECTOR	1	4	ZB04-04	SCREW	1
ZB04-25	"O" RING	1	5	ZB04-05	PVC CORE	1
ZB04-26	WASHER	1	6	ZB04-06	3/4" QUARTER-TURN CARTRIDGE	1 PA
ZB04-27	COVER	1	7	ZB04-07	SIDE BODY	1
ZB04-28	SEAL	1	8	ZB04-08	SCREW	1
ZB04-29	FILTER	1	9	ZB04-09	BASE PLATE	1
ZB04-30	SPOUT	1	10	ZB04-10	WASHER	1
ZB04-31	"O" RING	2	11	ZB04-11	"O" RING	1
ZB04-32	SCREW	1	12	ZB04-12	3/4" BSP TAILS	1
ZB04-33	LONG SPRING	1	13	ZB04-13	BACK NUT	1
ZB04-34	"O" RING	2	14	ZB04-14	FILTER	1
ZB04-35	DIVERTOR STEM	1	15	ZB04-15	"O" RING	1
ZB04-36	"O" RING	1	16	ZB04-16	CONNECTOR	1
ZB04-37	HOSE CONNECTOR	1	17	ZB04-17	"O" RING	1
ZB04-38	1.5M SHOWER HOSE	1	18	ZB04-18	SCREW	1
ZB04-39	SHOWER HOLDER	1	19	ZB04-19	MIDDLE BODY	1

The information contained on this page was correct at the date of issue. Fitting dimensions are provided as a guide only. Some variation may occur due to manufacturing tolerances. We pursue a policy of continuing improvement in design and performance of our products and so reserve the right to change specifications without prior notice

FOR FURTHER ADVICE PLEASE CONTACT :-  
 SAGITTARIUS LTD UNIT 1 LOWER VICTORIA STREET—CHADDERTON—OLDHAM—OL9 9TU TEL:0616 6202029  
 EMAIL:TECHNICAL@SAGITTARIUSTAPS.CO.UK