

SAGITTARIUS

TAPS & SHOWERING

FLOW CASCADE BATH MIXER FL/104

Construction	Brass Body, Zinc-alloy Handles
Finishes	Chrome plated to BS EN 248
Product Type	Contemporary
Water Pressure Tested Between Standards	Min. 0.2 bar, Max. 6.0 bar Complies with BS5412, BS EN200
Certification	Manufactured to comply with WRAS
Cartridge	1/4 Turn 3/4" Ceramic disc valves
Net Weight	2380g
Aerator	Laminar spout with filter mesh
Fitting	Brass 3/4" BSP tails
Guarantee	10 years against manufacturing faults (excluding serviceable parts)



Operating Water Pressure



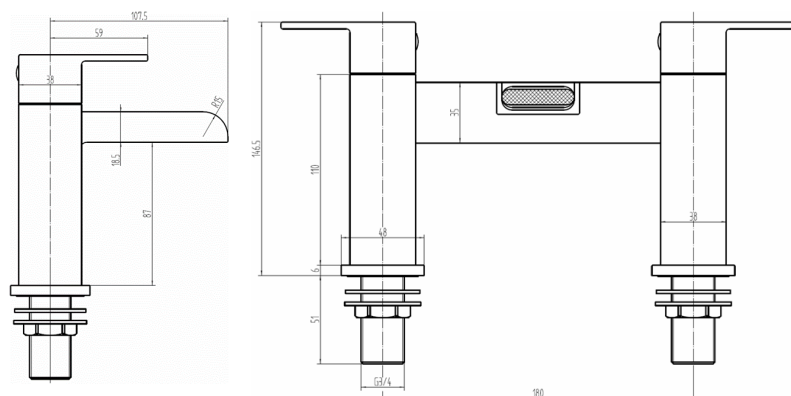
LOW PRESSURE
0.2 - 0.5 bar



COMBI BOILER



HIGH PRESSURE
1.2 - 1.5+ bar



The information contained on this page was correct at the date of issue. Fitting dimensions are provided as a guide only. Some variation may occur due to manufacturing tolerances. We pursue a policy of continuing improvement in design and performance of our products and so reserve the right to change specifications without prior notice

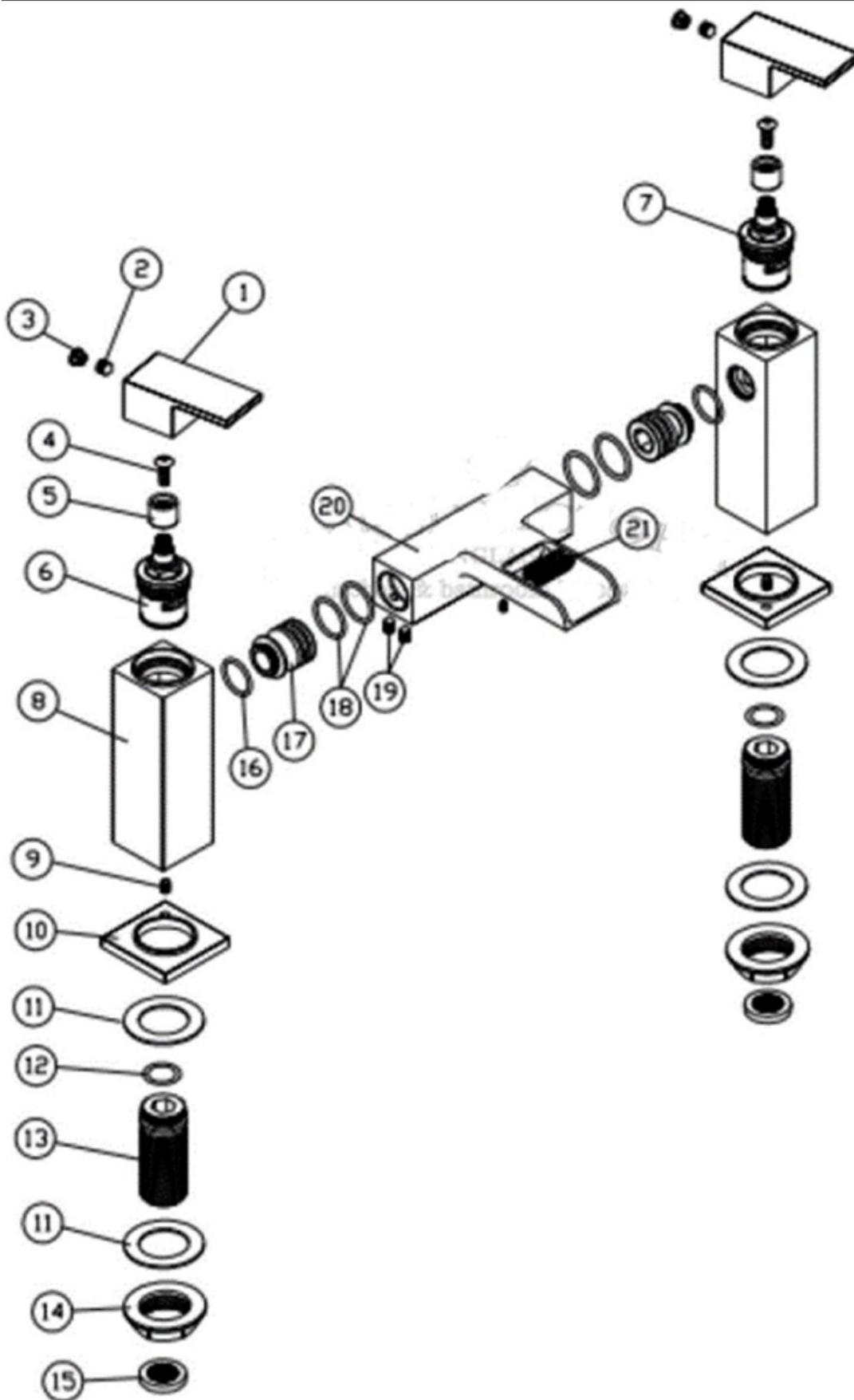
FOR FURTHER ADVICE PLEASE CONTACT :-

SAGITTARIUS LTD UNIT 1 LOWER VICTORIA STREET—CHADDERTON—OLDHAM—OL9 9TU TEL:0616 6202029

EMAIL:TECHNICAL@SAGITTARIUSTAPS.CO.UK

Flow Rates (Litres per minute)

System Pressure	0.1 Bar	0.2 Bar	0.3 Bar	0.5 Bar	1.0 Bar	1.5 Bar	2.0 Bar	3.0 Bar	4.0 Bar	5.0 Bar
	-	9.5	-	15.8	20.1	23.5	25.2	28.1	-	-



21	FILTER MESH	1
20	BODY (MIDDLE)	1
19	SCREW	4
18	O-RING	4
17	CONNECTOR	2
16	O-RING	2
15	FILTER MESH	2
14	BACKNUT	2
13	BSP TAILS	2
12	O-RING	2
11	BASE PLATE WASHER	2
10	BASE PLATE	2
9	SCREW	2
8	BODY (LEG)	2
7	CARTRIDGE (COLD)	1
6	CARTRIDGE (HOT)	1
5	PVC CORE	2
4	SCREW	2
3	INDICE	2
2	SCREW	2
1	HANDLE	2
NO	NAME	QTY

FOR FURTHER ADVICE PLEASE CONTACT :-

SAGITTARIUS LTD UNIT 1 LOWER VICTORIA STREET—CHADDERTON—OLDHAM—OL9 9TU TEL:0616 6202029

EMAIL:TECHNICAL@SAGITTARIUSTAPS.CO.UK