

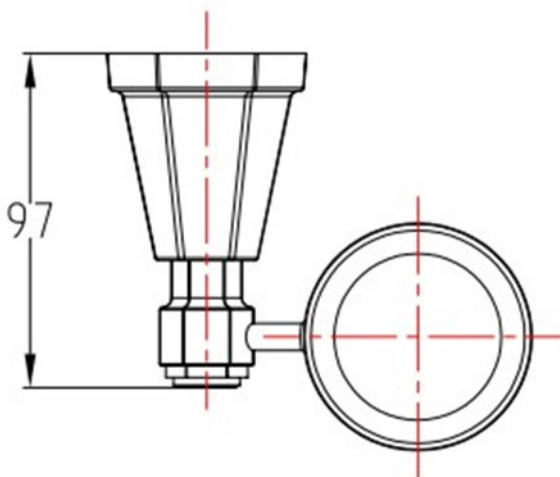
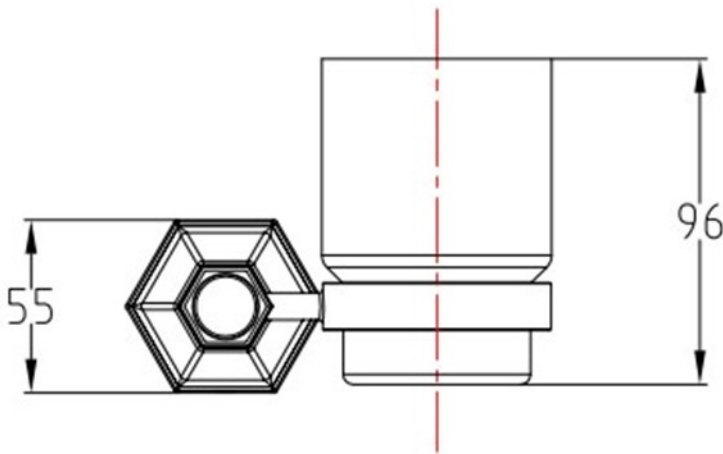
# SAGITTARIUS

## TAPS & SHOWERING

<b>Construction</b>	Brass
<b>Finishes</b>	Chrome plated
<b>Product Type</b>	Contemporary
<b>Standards</b>	Complies with BS5412, BS EN200
<b>Guarantee</b>	5 year against manufacturing faults (excluding Ceramic or Glass parts)

### FITZGERALD TUMBLER AND TUMBLER HOLDER

FG/722



The information contained on this page was correct at the date of issue. Fitting dimensions are provided as a guide only. Some variation may occur due to manufacturing tolerances. We pursue a policy of continuing improvement in design and performance of our products and so reserve the right to change specifications without prior notice

FOR FURTHER ADVICE PLEASE CONTACT :-

SAGITTARIUS LTD UNIT 1 LOWER VICTORIA STREET—CHADDERTON—OLDHAM—OL9 9TU TEL:0616 6202029

EMAIL:TECHNICAL@SAGITTARIUSTAPS.CO.UK