

# SAGITTARIUS

## TAPS & SHOWERING

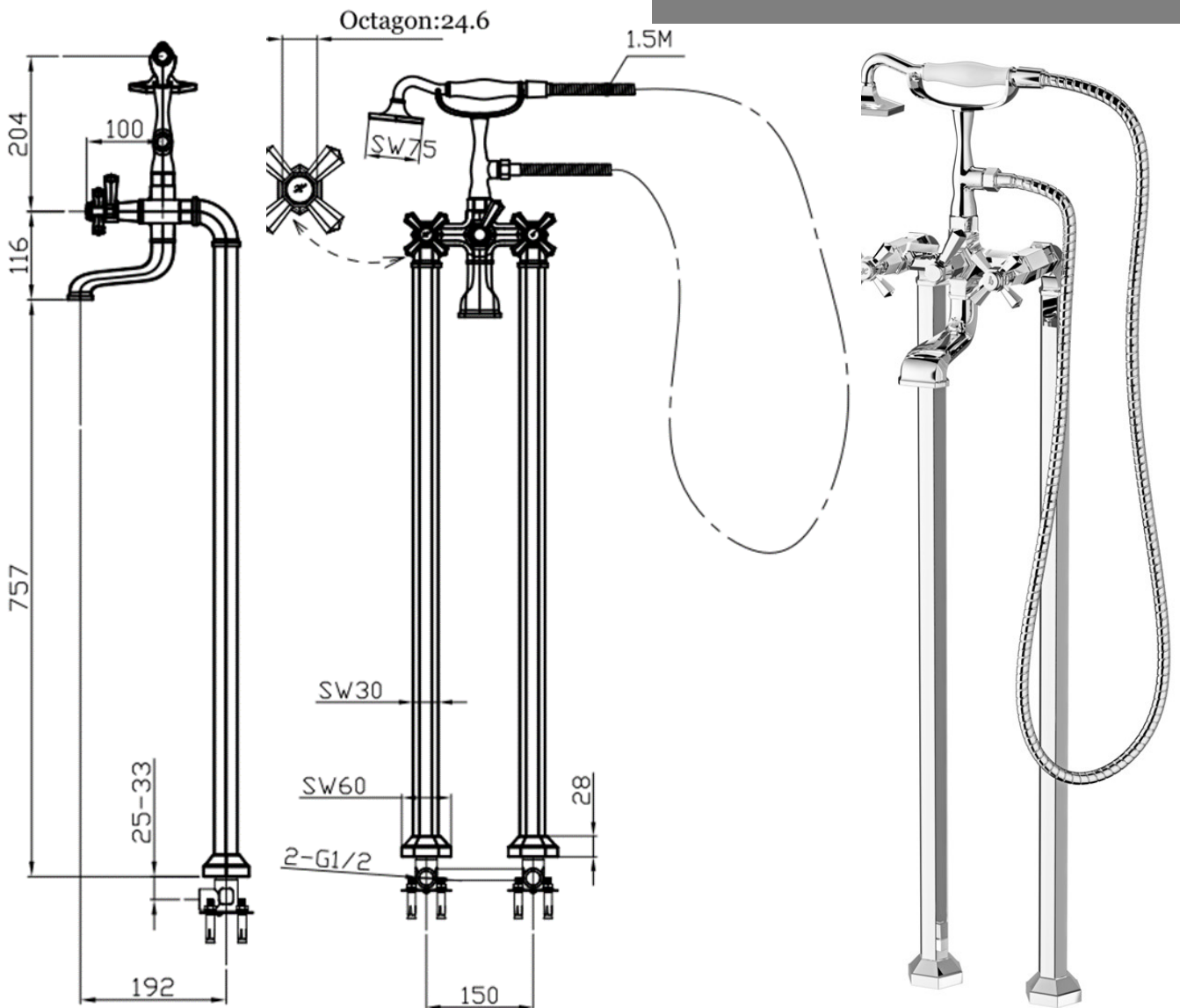
<b>Construction</b>	Brass Body
<b>Finishes</b>	Chrome plated to BS EN 248
<b>Product Type</b>	Traditional
<b>Water Pressure</b>	Min. 1.0 bar , Max. 6.0 bar
<b>Tested Between Standards</b>	Complies with BS5412, BS EN200
<b>Guarantee</b>	10 years against manufacturing faults (excluding serviceable parts)

FITZGERALD FLOOR

MOUNTED BATH SHOWER

MIXER & KIT

FG/174/C



The information contained on this page was correct at the date of issue. Fitting dimensions are provided as a guide only. Some variation may occur due to manufacturing tolerances. We pursue a policy of continuing improvement in design and performance of our products and so reserve the right to change specifications without prior notice

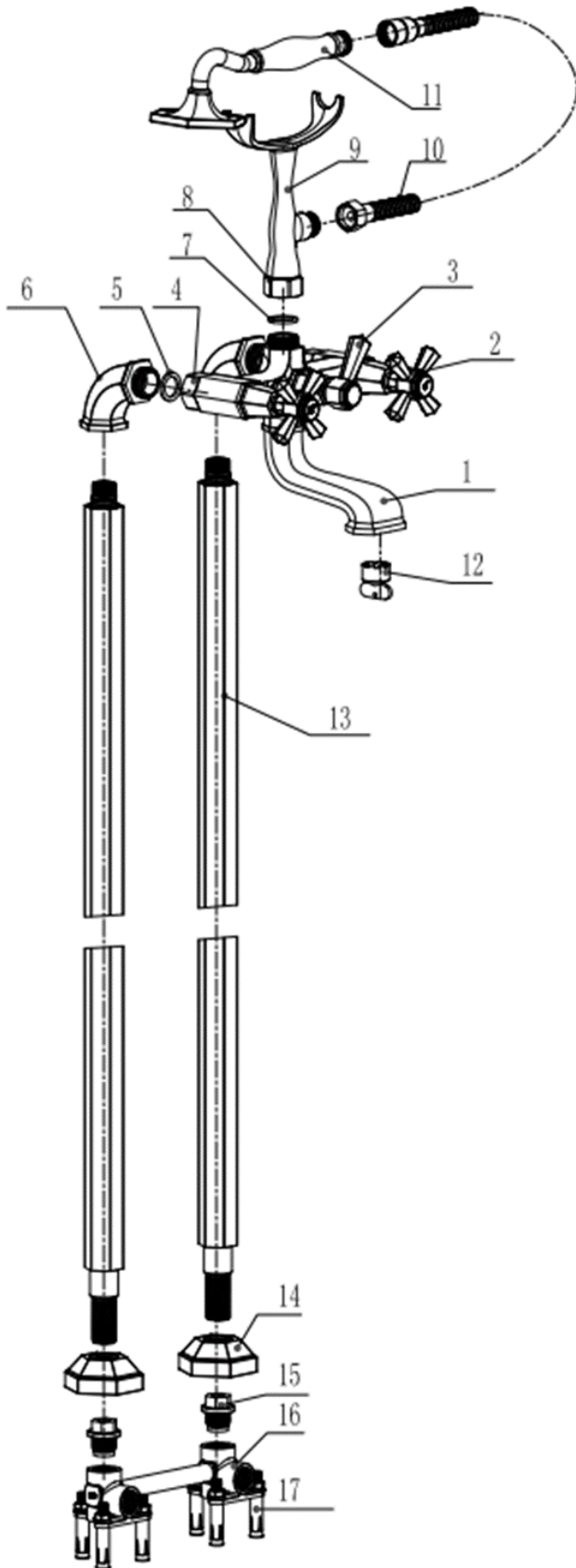
FOR FURTHER ADVICE PLEASE CONTACT :-

SAGITTARIUS LTD UNIT 1 LOWER VICTORIA STREET—CHADDERTON—OLDHAM—OL9 9TU TEL:0616 6202029

EMAIL:TECHNICAL@SAGITTARIUSTAPS.CO.UK

**Flow Rates** (Litres per minute)

System Pressure	0.1 Bar	0.2 Bar	0.3 Bar	0.5 Bar	1.0 Bar	1.5 Bar	2.0 Bar	3.0 Bar	4.0 Bar	5.0 Bar
	-	-	-	2.7	13.0	-	16.5	20.1	22.7	24.5



NO	Description	Qty
1	Body	1
2	Handle	2
3	Diverter handle	1
4	G3/4 Nut	2
5	Washer	2
6	Legs	2
7	Washer	1
8	Nut	1
9	Handset Holder	1
10	1.5m Hose	1
11	Handset Holder	1
12	Aerator Key	1
13	Freestanding Pipe	2
14	Base Collar	2
15	G1/2 Connector	2
16	G1/2 concealed Body	1
17	Screw	6

FOR FURTHER ADVICE PLEASE CONTACT :-

SAGITTARIUS LTD UNIT 1 LOWER VICTORIA STREET—CHADDERTON—OLDHAM—OL9 9TU TEL:0616 6202029

EMAIL:TECHNICAL@SAGITTARIUSTAPS.CO.UK