

# SAGITTARIUS

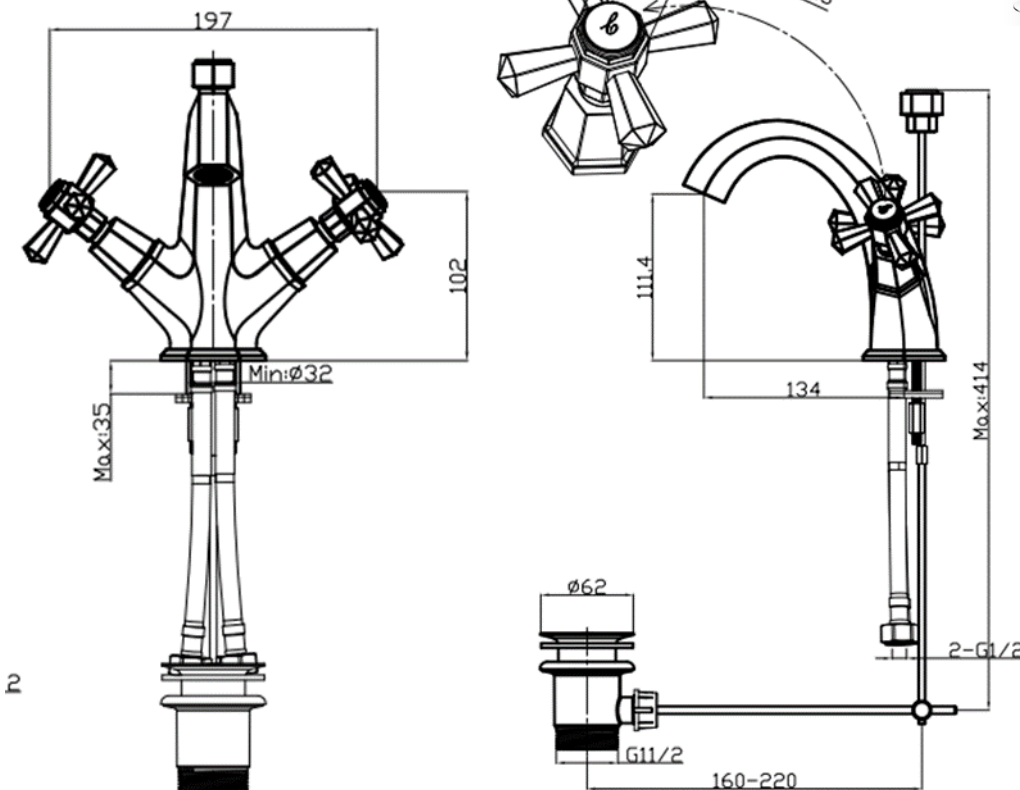
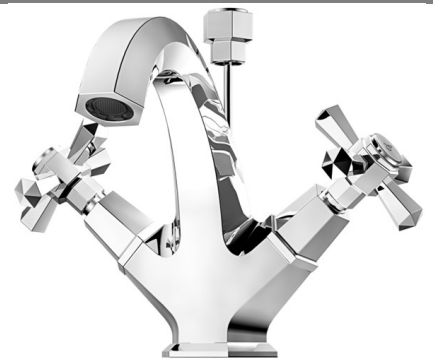
## TAPS & SHOWERING

<b>Construction</b>	Brass Body, Handle: Zinc Alloy & ceramic indices
<b>Finishes</b>	Chrome : Ni : 8-12um, Cr : 0.25-0.3um
<b>Product Type</b>	Traditional
<b>Water Pressure Tested Between</b>	Min. 0.1 bar, Max. 6.0 bar
<b>Standards Fitting</b>	Complies with BS6920, BS EN200 UK: M10 x 350mm ½" BSP Female Flexi Tails EU: M10 x 350mm 3/8" BSP Female Flexi Tails
<b>Guarantee</b>	10 years against manufacturing faults (excluding serviceable parts)

FITZGERALD BASIN

MONOBLOC MIXER

FG/106/C



The information contained on this page was correct at the date of issue. Fitting dimensions are provided as a guide only. Some variation may occur due to manufacturing tolerances. We pursue a policy of continuing improvement in design and performance of our products and so reserve the right to change specifications without prior notice

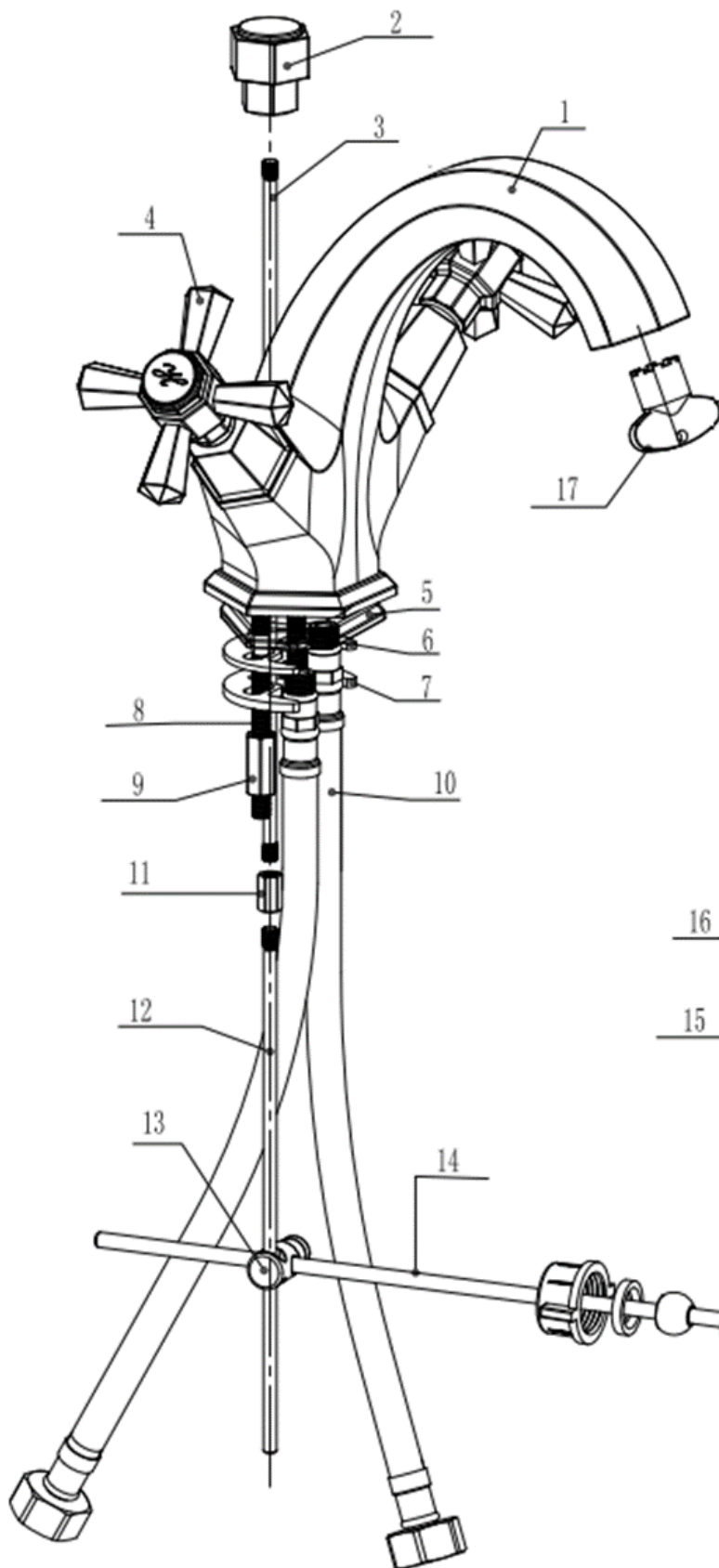
FOR FURTHER ADVICE PLEASE CONTACT :-

SAGITTARIUS LTD UNIT 1 LOWER VICTORIA STREET—CHADDERTON—OLDHAM—OL9 9TU TEL:0616 6202029

EMAIL:TECHNICAL@SAGITTARIUSTAPS.CO.UK

**Flow Rates** (Litres per minute)

System Pressure	0.1 Bar	0.2 Bar	0.3 Bar	0.5 Bar	1.0 Bar	1.5 Bar	2.0 Bar	3.0 Bar	4.0 Bar	5.0 Bar
	-	-	-	2.1	4.2	-	6.1	8.5	9.2	10.1



No	Description	Qty
1	Body	1
2	Diverter Cap	1
3	Diverter Upper lever	1
4	Handle	2
5	Washer	1
6	House Shoes fixing	1
7	House Shoes fixing	1
8	Screw	2
9	Screw lock nut	2
10	Flexi Tail	2
11	Nut	1
12	Diverter Lower lever	1
13	Connector	1
14	Diverter parts	1
15	Waste	1
16	Waste Cap	1
17	Aerator Key	1

FOR FURTHER ADVICE PLEASE CONTACT :-  
 SAGITTARIUS LTD UNIT 1 LOWER VICTORIA STREET—CHADDERTON—OLDHAM—OL9 9TU TEL:0616 6202029  
 EMAIL:TECHNICAL@SAGITTARIUSTAPS.CO.UK