

SAGITTARIUS

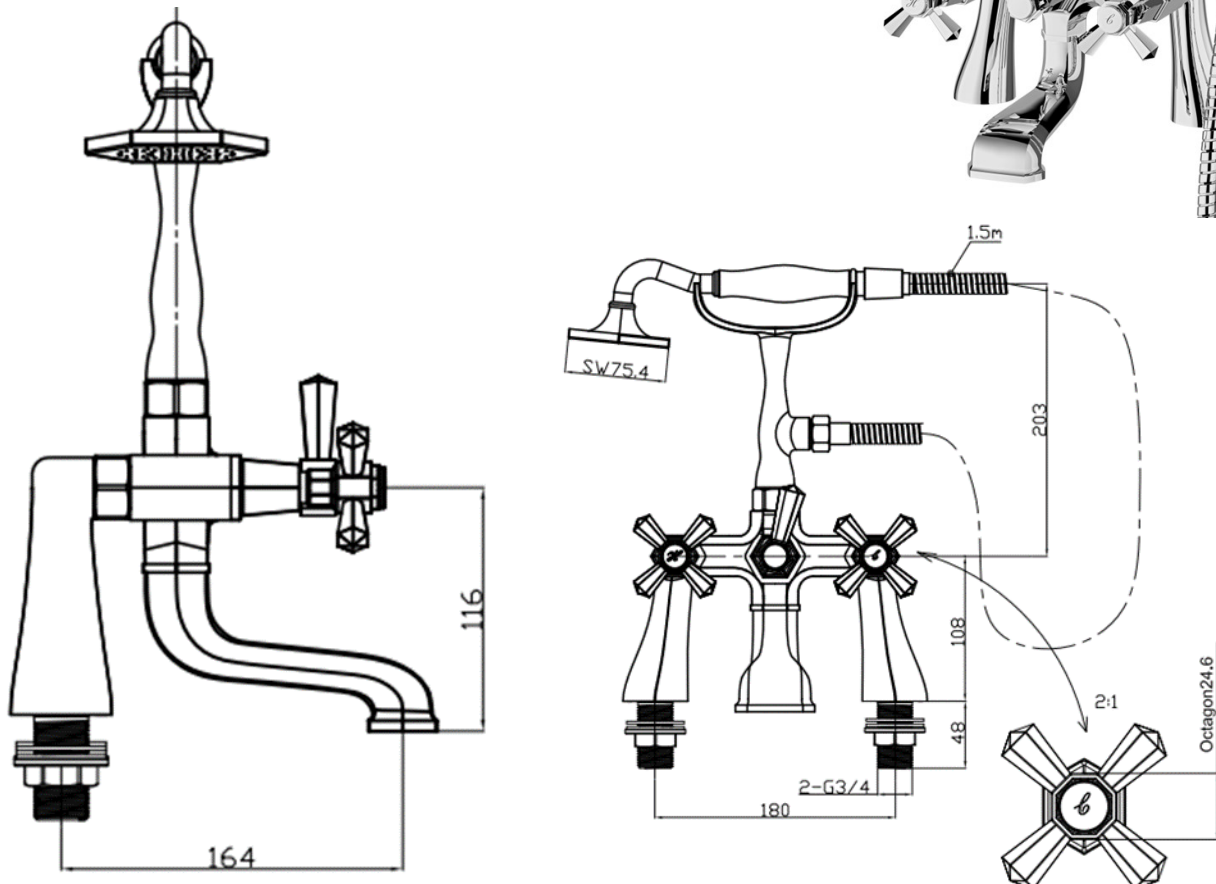
TAPS & SHOWERING

Construction	Brass Body, Pillar and Spout (HPb59-1), EN CW612N (equivalent to CuZn39Pb2); Brass Handles with Ceramic indices
Finishes	Chrome (Ni : 8-12um, Cr : 0.25-0.3um)
Product Type	Traditional
Water Pressure Tested Between	Min. 0.1 bar, Max. 6.0 bar
Standards	Complies with BS5412, BS EN200
Fitting	Brass G3/4" BSP Tails
Guarantee	10 years against manufacturing faults (excluding serviceable parts)
Additional Information	Supplied with 1.5m Stainless steel Hose, Chrome Brass and Ceramic Shower Handset and Handset Bracket

FITZGERALD BATH

SHOWER MIXER AND KITS

FG/105/C



The information contained on this page was correct at the date of issue. Fitting dimensions are provided as a guide only. Some variation may occur due to manufacturing tolerances. We pursue a policy of continuing improvement in design and performance of our products and so reserve the right to change specifications without prior notice

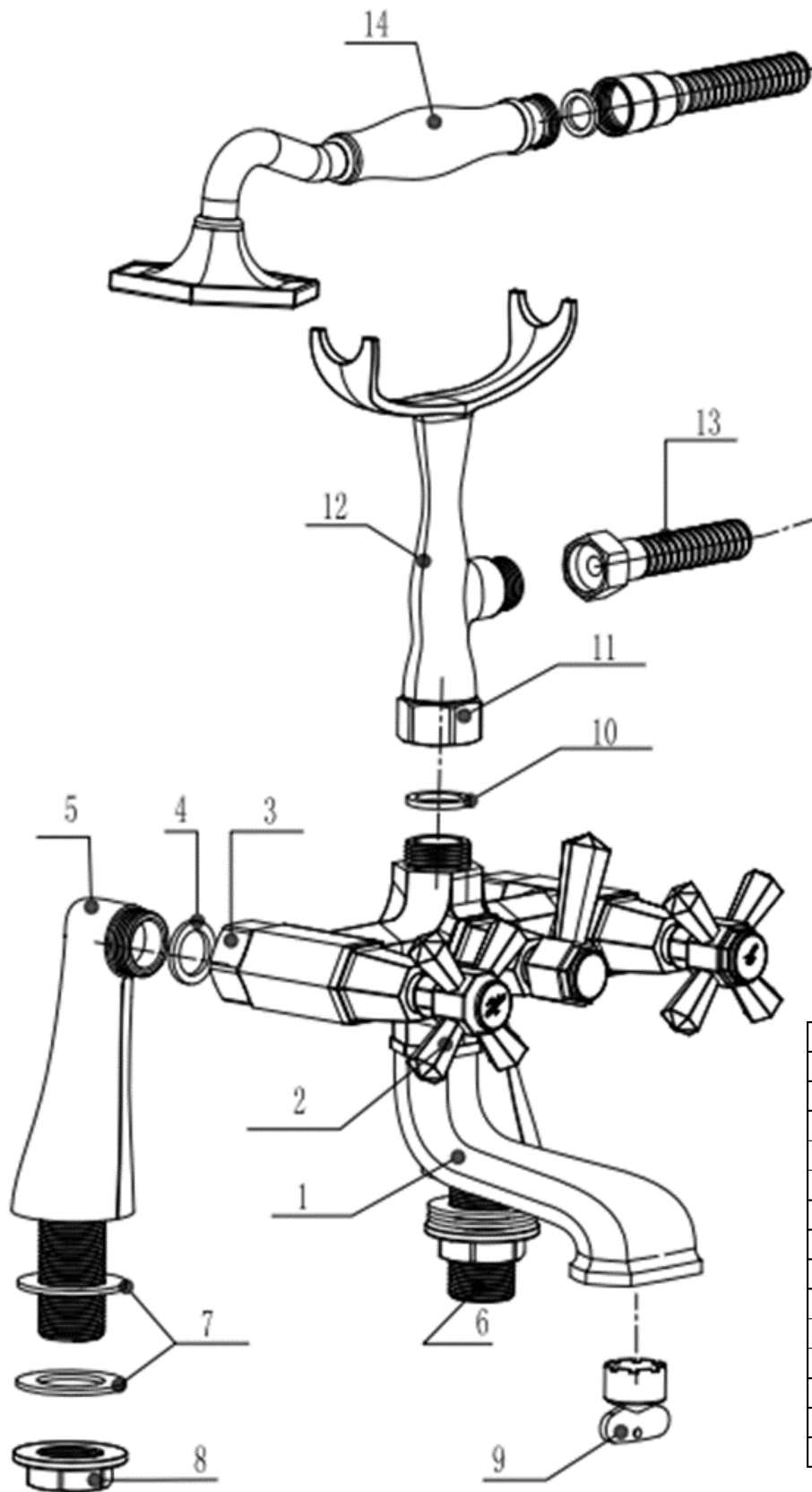
FOR FURTHER ADVICE PLEASE CONTACT :-

SAGITTARIUS LTD UNIT 1 LOWER VICTORIA STREET—CHADDERTON—OLDHAM—OL9 9TU TEL:0616 6202029

EMAIL:TECHNICAL@SAGITTARIUSTAPS.CO.UK

Flow Rates (Litres per minute)

System Pressure	0.1 Bar	0.2 Bar	0.3 Bar	0.5 Bar	1.0 Bar	1.5 Bar	2.0 Bar	3.0 Bar	4.0 Bar	5.0 Bar
	-	-	-	2.7	13.0	-	16.5	20.1	22.7	24.5



No	Description	Qty
1	Body	1
2	Handle	2
3	G3/4 Nut	2
4	Washer	2
5	Right Leg	1
6	Left Leg	1
7	Washer	4
8	Lock Nut	2
9	Aerator key	1
10	Washer	1
11	G3/4 Nut	1
12	Handset holder	1
13	Hose	1
14	Handset	1

FOR FURTHER ADVICE PLEASE CONTACT :-
 SAGITTARIUS LTD UNIT 1 LOWER VICTORIA STREET—CHADDERTON—OLDHAM—OL9 9TU TEL:0616 6202029
 EMAIL:TECHNICAL@SAGITTARIUSTAPS.CO.UK