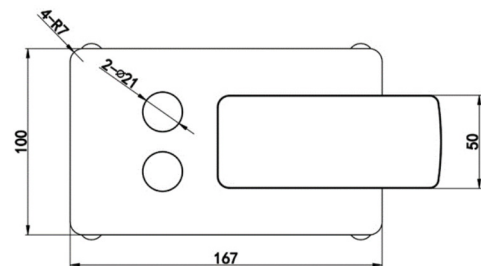
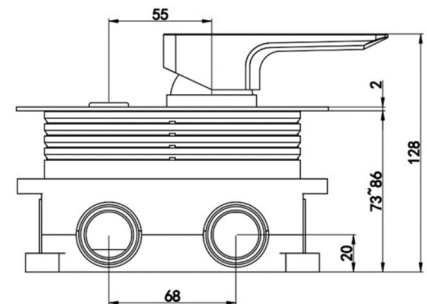
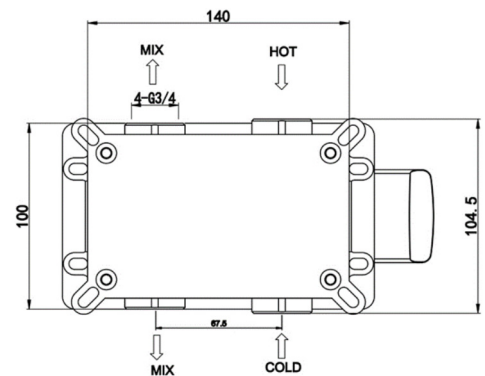


SAGITTARIUS

TAPS & SHOWERING

ERGO LEVER DUAL PUSH BUTTON THERM CONCEALED EL/377/C

Construction	Brass Body CuZn40Pb2, EN CW617N (equivalent to BS CZ122) Zinc alloy Handle
Finishes	Chrome : Ni : 8-12um, Cr : 0.25-0.3um
Product Type	Contemporary
Water Pressure	Min. 1.0 bar, Max. 6.0 bar
Plumbing Systems	Suitable for all plumbing systems, preferably balanced. Min supply pressure differential requirement is 5:1
Standards	Complies with BSEN 1111
Certification	-
Cartridge	triduo® thermostatic
Check Valve	Neoperl DW15-PR
Diverter	Select Technology
Wall Plate	Stainless steel (Handle: Zinc Alloy)
Fitting	EZ-BOX - Inlet G $\frac{3}{4}$ " , Outlet G $\frac{1}{2}$ "
Packaging	55 x 37 x 33cm / carton (8 boxes / carton)
Guarantee	10 years against manufacturing faults (excluding serviceable parts).
Additional Information	1. Temperature: Pre-set 38°C. Max 45°C 2. Automatic shut off in the event of hot or cold water supply failure.



Flow Rates (Litres per minute)

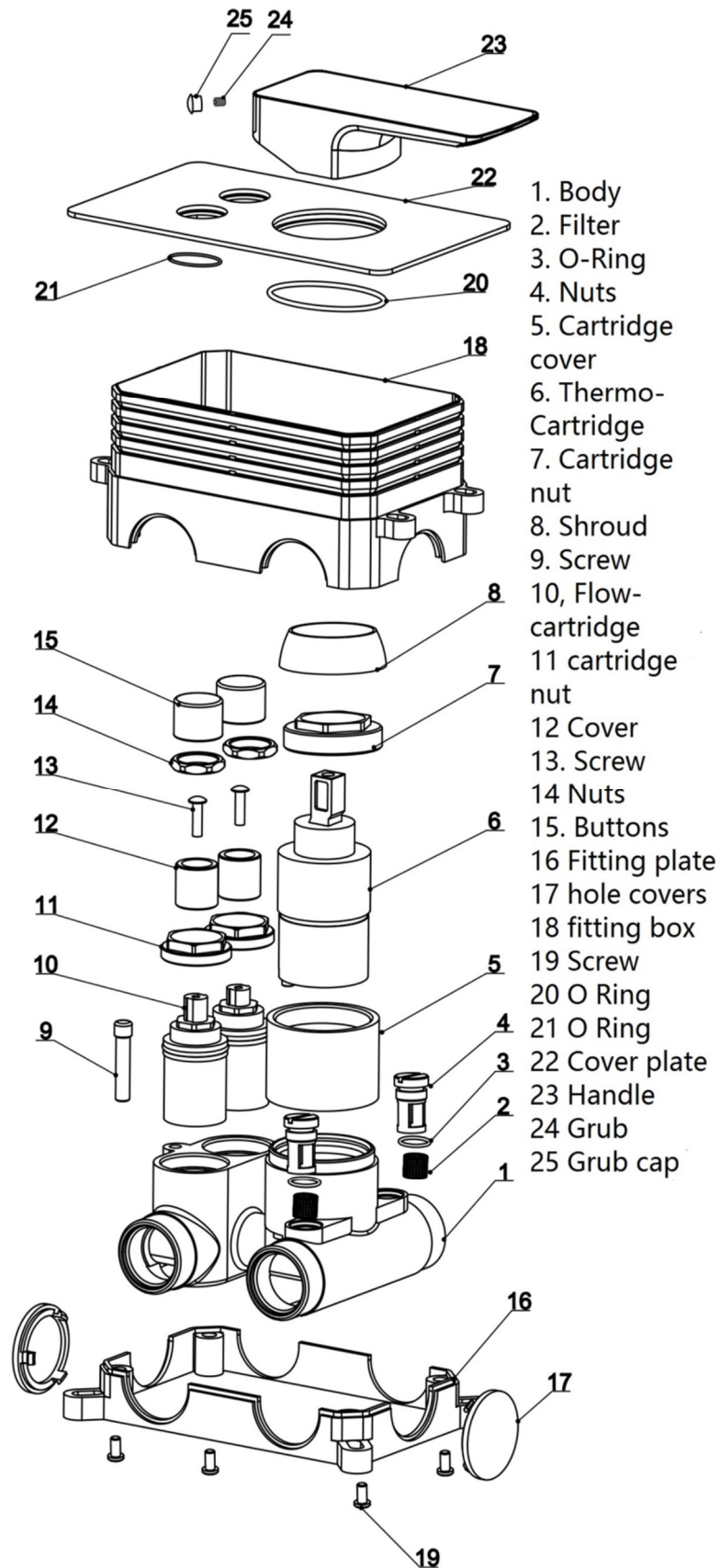
System Pressure	0.1 Bar	0.2 Bar	0.3 Bar	0.5 Bar	1.0 Bar	1.5 Bar	2.0 Bar	3.0 Bar	4.0 Bar	5.0 Bar
EL/377/C	-	-	-	3.9	8.0	-	13.0	16.0	19.0	22.0

The information contained on this page was correct at the date of issue. Fitting dimensions are provided as a guide only. Some variation may occur due to manufacturing tolerances. We pursue a policy of continuing improvement in design and performance of our products and so reserve the right to change specifications without prior notice

FOR FURTHER ADVICE PLEASE CONTACT :-

SAGITTARIUS LTD UNIT 1 LOWER VICTORIA STREET—CHADDERTON—OLDHAM—OL9 9TU TEL:0616 6202029

EMAIL:TECHNICAL@SAGITTARIUSTAPS.CO.UK



- 1. Body
- 2. Filter
- 3. O-Ring
- 4. Nuts
- 5. Cartridge cover
- 6. Thermo-Cartridge
- 7. Cartridge nut
- 8. Shroud
- 9. Screw
- 10. Flow-cartridge
- 11. cartridge nut
- 12. Cover
- 13. Screw
- 14. Nuts
- 15. Buttons
- 16. Fitting plate
- 17. hole covers
- 18. fitting box
- 19. Screw
- 20. O Ring
- 21. O Ring
- 22. Cover plate
- 23. Handle
- 24. Grub
- 25. Grub cap

The information contained on this page was correct at the date of issue. Fitting dimensions are provided as a guide only. Some variation may occur due to manufacturing tolerances. We pursue a policy of continuing improvement in design and performance of our products and so reserve the right to change specifications without prior notice

FOR FURTHER ADVICE PLEASE CONTACT :-
 SAGITTARIUS LTD UNIT 1 LOWER VICTORIA STREET—CHADDERTON—OLDHAM—OL9 9TU TEL:0616 6202029
 EMAIL:TECHNICAL@SAGITTARIUSTAPS.CO.UK