

# SAGITTARIUS

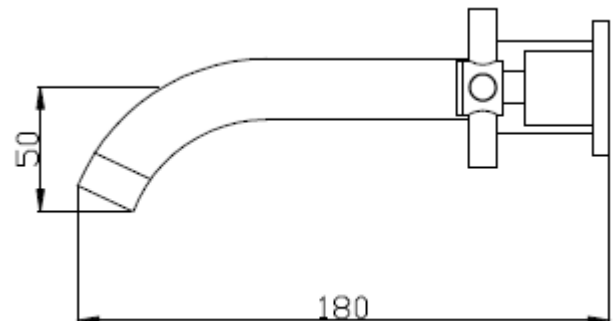
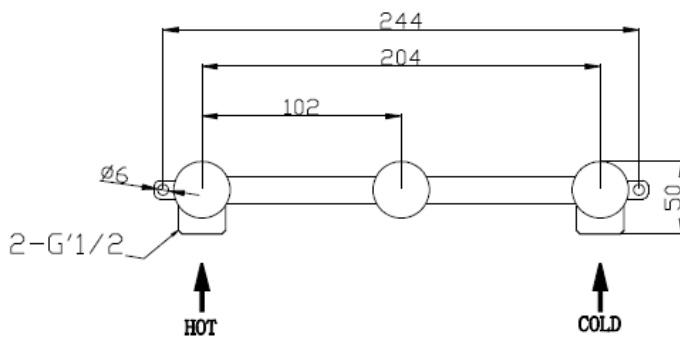
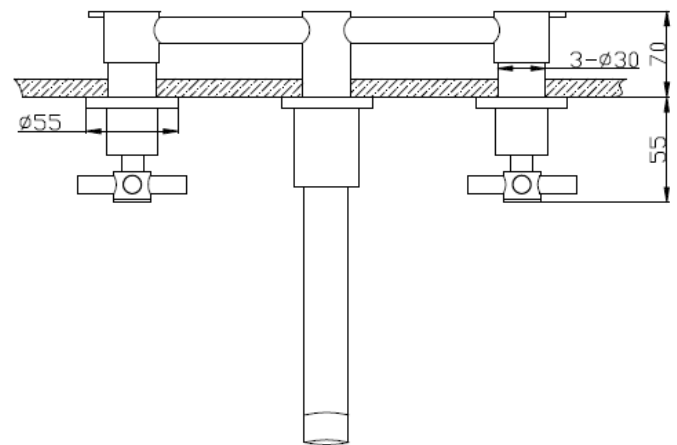
## TAPS & SHOWERING

<b>Construction</b>	Brass Body CuZn40Pb2, EN CW617N (equivalent to BS CZ122) Zinc alloy Handle
<b>Finishes</b>	Chrome : Ni : 8-12um, Cr : 0.25-0.3um
<b>Product Type</b>	Contemporary
<b>Water Pressure</b>	Min. 0.5 bar, Max. 6.0 bar
<b>Plumbing Systems</b>	Suitable for all plumbing systems
<b>Standards</b>	Complies with BS5412, BS EN200
<b>Certification</b>	-
<b>Cartridge</b>	1/4 Turn 1/2" Ceramic Disc Valves
<b>Aerator</b>	Neoperl Aerator
<b>Fitting</b>	EZ-BOX - Inlet G1/2", Outlet G1/2"
<b>Packaging</b>	40.5 x 38.5 x 62cm / carton (5 boxes / carton); Box size: 60x37x6cm, weight: 3.47kg/pcs
<b>Guarantee</b>	10 years against manufacturing faults (excluding serviceable parts).

**ERGO LEVER W/MOUNTED**

**3 HOLE BASIN MIXER**

**EL/207/C**



The information contained on this page was correct at the date of issue. Fitting dimensions are provided as a guide only. Some variation may occur due to manufacturing tolerances. We pursue a policy of continuing improvement in design and performance of our products and so reserve the right to change specifications without prior notice

FOR FURTHER ADVICE PLEASE CONTACT :-

SAGITTARIUS LTD UNIT 1 LOWER VICTORIA STREET—CHADDERTON—OLDHAM—OL9 9TU TEL:0616 6202029

EMAIL:TECHNICAL@SAGITTARIUSTAPS.CO.UK