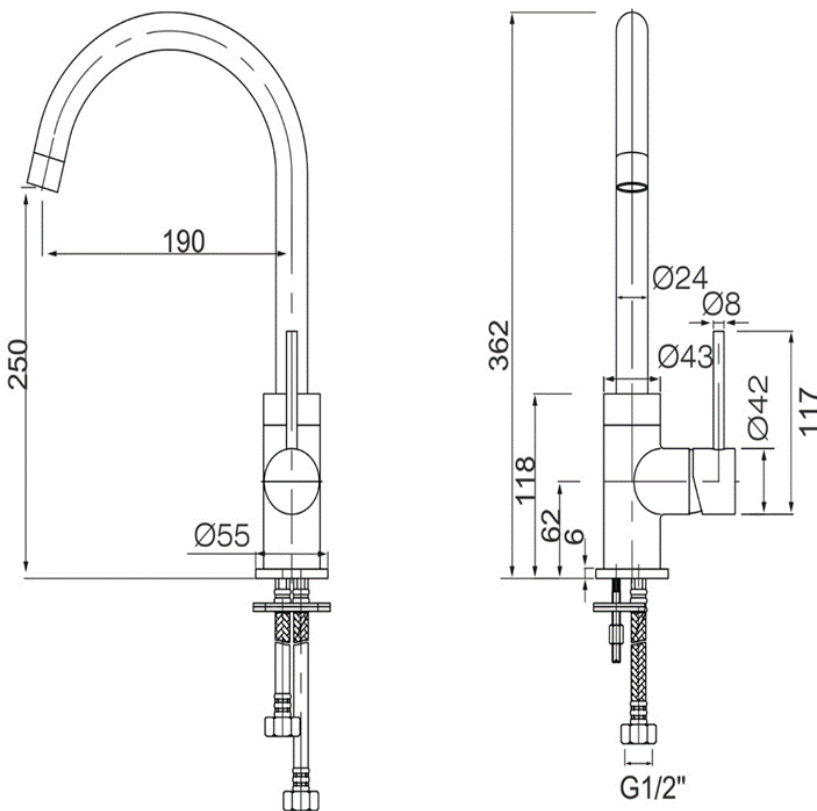


SAGITTARIUS

TAPS & SHOWERING

Construction	Brass Body (ZCuZn40Pb2); Brass Spout; Zinc-alloy Handle & Base plate
Finishes	Chrome plated to BS EN 248
Product Type	Contemporary
Water Pressure Tested Between	Min. 1.0 bar, Max. 6.0 bar
Standards	Complies with BS5412, BS EN200
Certification	WRAS (1801020) approved and certified
Cartridge Fitting	35mm Ceramic disc cartridge G1/2" BSP Female Flexible inlet connection hoses
Aerator	M24*1 Spout aerator
Guarantee	10 years against manufacturing faults (excluding serviceable parts)
Additional Information	360° Swivel Spout

ERGO LEVER MONOBLOC
SINK ELMIXER LEVER
EL/206/C

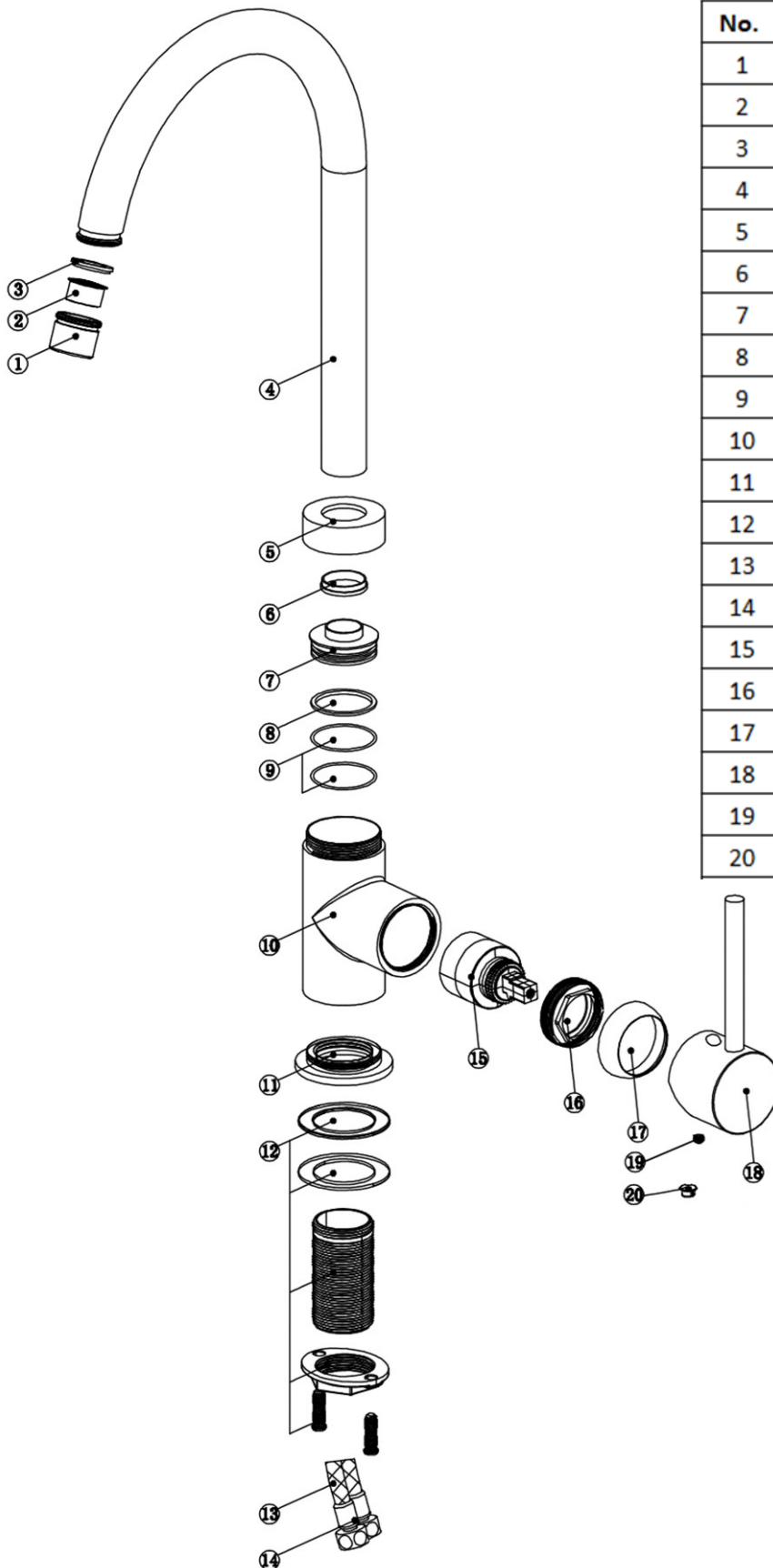


The information contained on this page was correct at the date of issue. Fitting dimensions are provided as a guide only. Some variation may occur due to manufacturing tolerances. We pursue a policy of continuing improvement in design and performance of our products and so reserve the right to change specifications without prior notice

FOR FURTHER ADVICE PLEASE CONTACT :-
SAGITTARIUS LTD UNIT 1 LOWER VICTORIA STREET—CHADDERTON—OLDHAM—OL9 9TU TEL:0616 6202029
EMAIL:TECHNICAL@SAGITTARIUSTAPS.CO.UK

Flow Rates (Litres per minute)

System Pressure	0.1 Bar	0.2 Bar	0.3 Bar	0.5 Bar	1.0 Bar	1.5 Bar	2.0 Bar	3.0 Bar	4.0 Bar	5.0 Bar
	2.8	3.2	-	4.4	6.0	8.0	-	9.6	-	-



No.	DESCRIPTION	QUANTITY
1	NOZZLE	1
2	AERATOR	1
3	WASHER	1
4	SPOUT	1
5	COLLAR	1
6	WASHER	1
7	CONNECTOR	1
8	WASHER	1
9	O-RING	2
10	BODY	1
11	BASE PLATE	1
12	TAP TAIL	1
13	FLEXI-PIPE	1
14	FLEXI-PIPE	1
15	CARTRIDGE	1
16	CARTRIDGE NUT	1
17	SHROUD	1
18	HANDLE	1
19	GRUB SCREW	1
20	COVER	1

FOR FURTHER ADVICE PLEASE CONTACT :-
 SAGITTARIUS LTD UNIT 1 LOWER VICTORIA STREET—CHADDERTON—OLDHAM—OL9 9TU TEL:0616 6202029
 EMAIL:TECHNICAL@SAGITTARIUSTAPS.CO.UK