

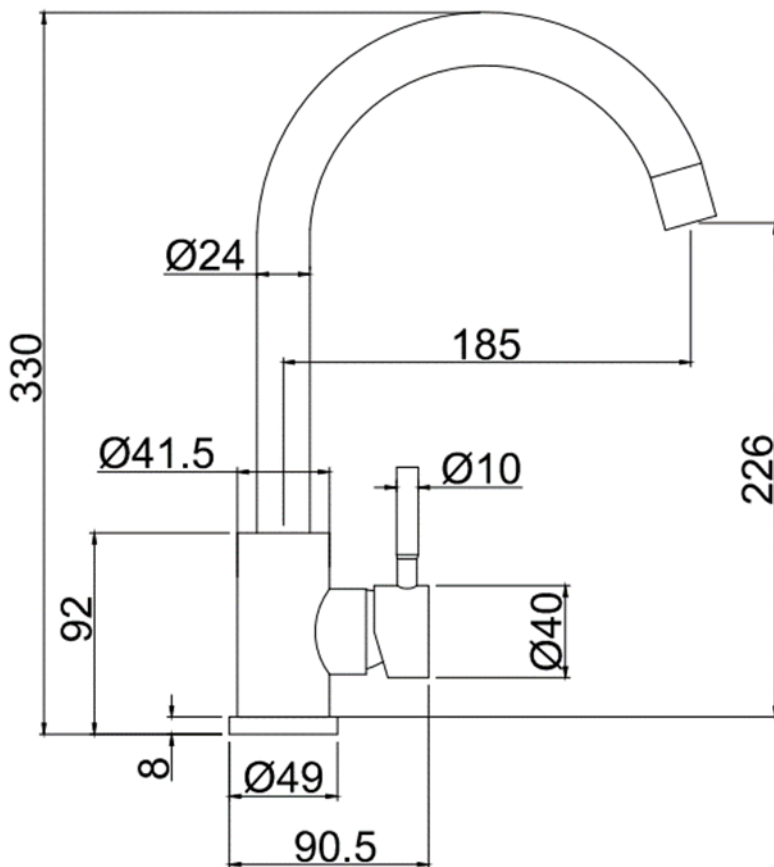
# SAGITTARIUS

## TAPS & SHOWERING

<b>Construction</b>	Stainless Steel 304 Body; Stainless Steel 304 Handle
<b>Finishes</b>	Brushed Brass
<b>Product Type</b>	Contemporary
<b>Water Pressure Tested Between</b>	Min. 0.5 bar, Max. 6.0 bar
<b>Standards</b>	Complies with BS5412, BS EN200
<b>Cartridge Fitting</b>	35mm Ceramic disc cartridge G1/2" BSP Female flexible inlet connection hoses
<b>Aerator</b>	Spout aerator
<b>Guarantee</b>	10 years against manufacturing faults (excluding serviceable parts)
<b>Additional Information</b>	360° Swivel Spout

**ERGO LEVER MONOBLOC  
SINK SIDE LEVER BRUSHED  
BRASS**

**EL/206/BB**



The information contained on this page was correct at the date of issue. Fitting dimensions are provided as a guide only. Some variation may occur due to manufacturing tolerances. We pursue a policy of continuing improvement in design and performance of our products and so reserve the right to change specifications without prior notice

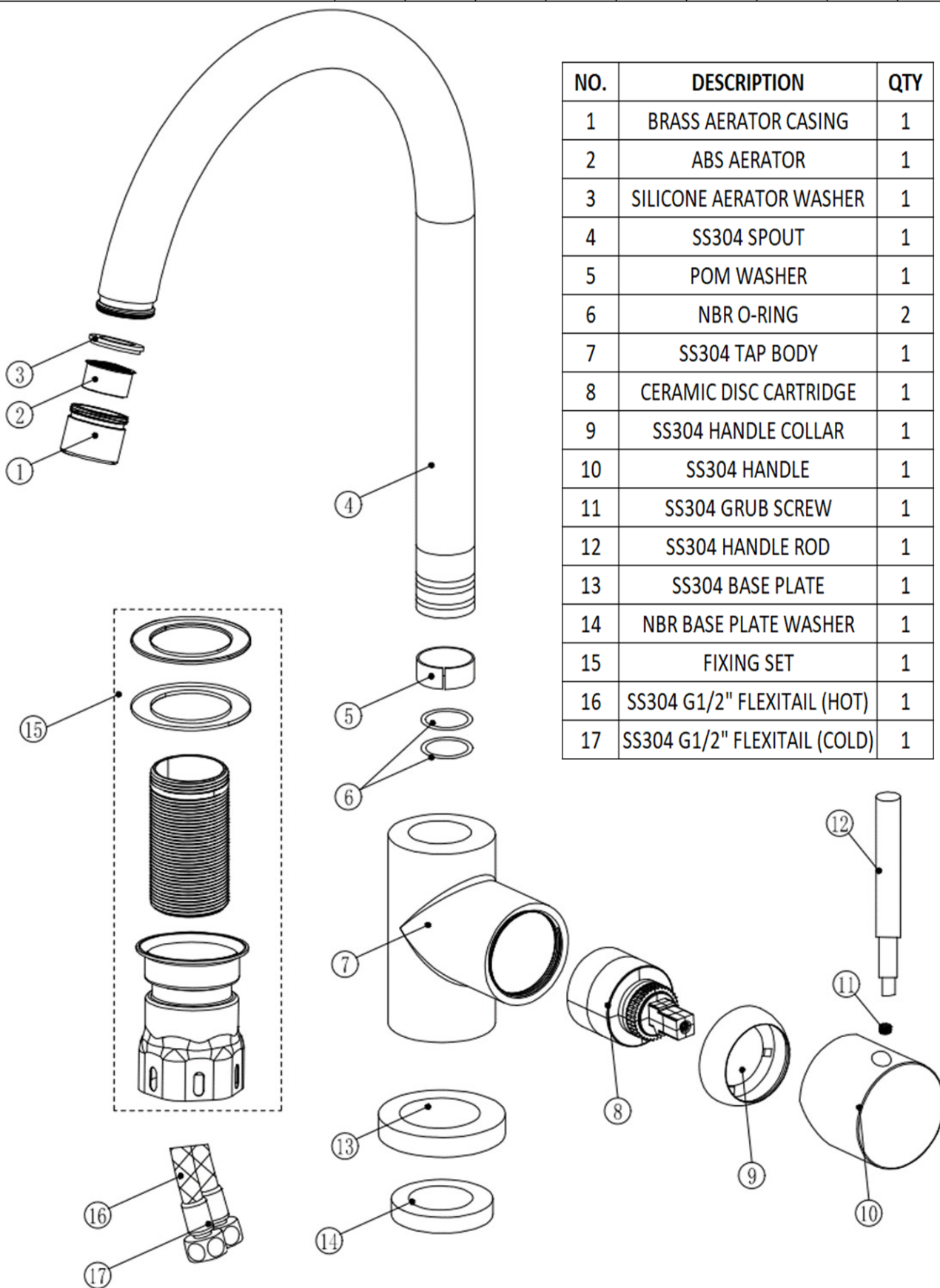
FOR FURTHER ADVICE PLEASE CONTACT :-

SAGITTARIUS LTD UNIT 1 LOWER VICTORIA STREET—CHADDERTON—OLDHAM—OL9 9TU TEL:0616 6202029

EMAIL:TECHNICAL@SAGITTARIUSTAPS.CO.UK

**Flow Rates** (Litres per minute)

System Pressure	0.1 Bar	0.2 Bar	0.3 Bar	0.5 Bar	1.0 Bar	1.5 Bar	2.0 Bar	3.0 Bar	4.0 Bar	5.0 Bar
	3.0	3.4	3.8	4.9	7.3	9.1	10.7	13.2	15.4	17.4



NO.	DESCRIPTION	QTY
1	BRASS AERATOR CASING	1
2	ABS AERATOR	1
3	SILICONE AERATOR WASHER	1
4	SS304 SPOUT	1
5	POM WASHER	1
6	NBR O-RING	2
7	SS304 TAP BODY	1
8	CERAMIC DISC CARTRIDGE	1
9	SS304 HANDLE COLLAR	1
10	SS304 HANDLE	1
11	SS304 GRUB SCREW	1
12	SS304 HANDLE ROD	1
13	SS304 BASE PLATE	1
14	NBR BASE PLATE WASHER	1
15	FIXING SET	1
16	SS304 G1/2" FLEXITAIL (HOT)	1
17	SS304 G1/2" FLEXITAIL (COLD)	1