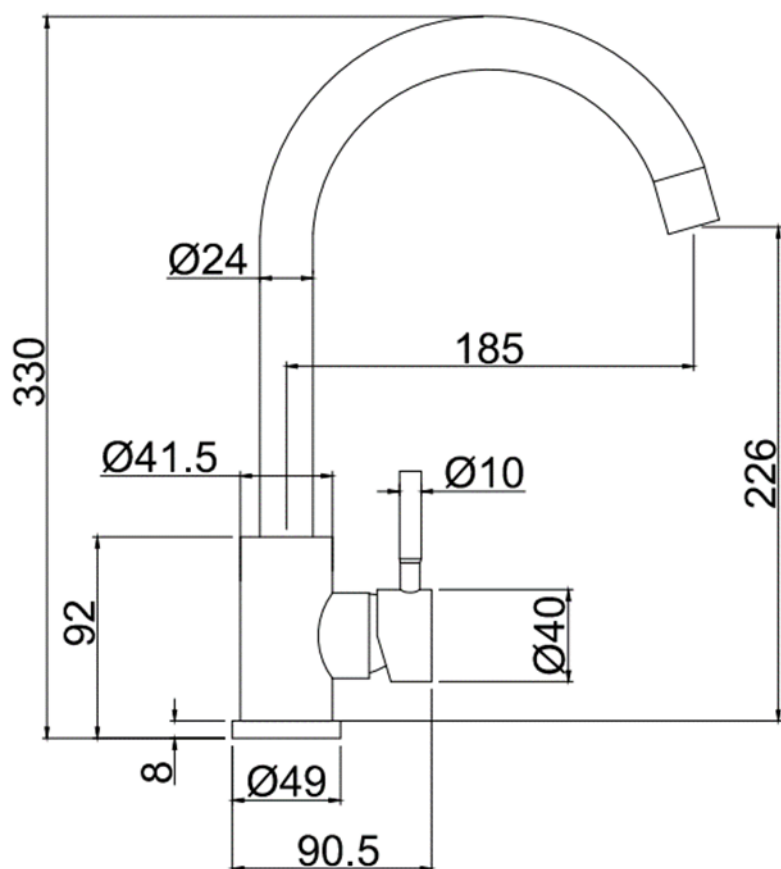


SAGITTARIUS

TAPS & SHOWERING

Construction	Stainless Steel 304 Body; Stainless Steel 304 Handle
Finishes	Matt Black
Product Type	Contemporary
Water Pressure Tested Between	Min. 0.5 bar, Max. 6.0 bar
Standards	Complies with BS5412, BS EN200
Cartridge	35mm Ceramic disc cartridge
Fitting	G1/2" BSP Female flexible inlet connection hoses
Aerator	Spout aerator
Guarantee	10 years against manufacturing faults (excluding serviceable parts)
Additional Information	360° Swivel Spout

ERGO LEVER MONOBLOC
SINK SIDE LEVER MATT
BLACK
EL/206/B



The information contained on this page was correct at the date of issue. Fitting dimensions are provided as a guide only. Some variation may occur due to manufacturing tolerances. We pursue a policy of continuing improvement in design and performance of our products and so reserve the right to change specifications without prior notice

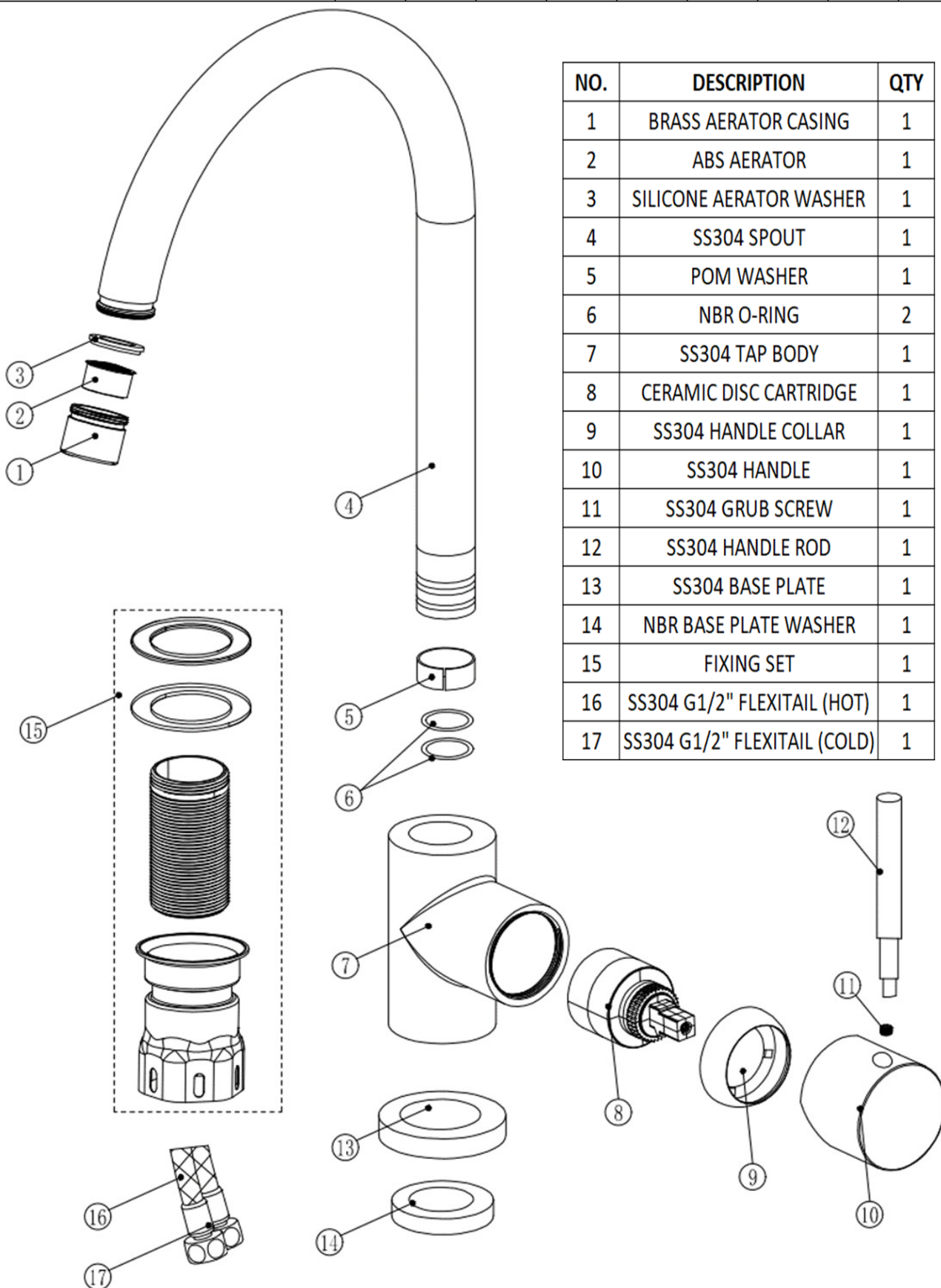
FOR FURTHER ADVICE PLEASE CONTACT :-

SAGITTARIUS LTD UNIT 1 LOWER VICTORIA STREET—CHADDERTON—OLDHAM—OL9 9TU TEL:0616 6202029

EMAIL:TECHNICAL@SAGITTARIUSTAPS.CO.UK

Flow Rates (Litres per minute)

System Pressure	0.1 Bar	0.2 Bar	0.3 Bar	0.5 Bar	1.0 Bar	1.5 Bar	2.0 Bar	3.0 Bar	4.0 Bar	5.0 Bar
	3.0	3.4	3.8	4.9	7.3	9.1	10.7	13.2	15.4	17.4



NO.	DESCRIPTION	QTY
1	BRASS AERATOR CASING	1
2	ABS AERATOR	1
3	SILICONE AERATOR WASHER	1
4	SS304 SPOUT	1
5	POM WASHER	1
6	NBR O-RING	2
7	SS304 TAP BODY	1
8	CERAMIC DISC CARTRIDGE	1
9	SS304 HANDLE COLLAR	1
10	SS304 HANDLE	1
11	SS304 GRUB SCREW	1
12	SS304 HANDLE ROD	1
13	SS304 BASE PLATE	1
14	NBR BASE PLATE WASHER	1
15	FIXING SET	1
16	SS304 G1/2" FLEXITAIL (HOT)	1
17	SS304 G1/2" FLEXITAIL (COLD)	1