

SAGITTARIUS

TAPS & SHOWERING

Construction Brass Body (CuZn40Pb2), EN CW617N (equivalent to BS CZ122)

Finishes Zinc-alloy Handle
Chrome (Ni : 8-12um, Cr : 0.25-0.3um)

Product Type Contemporary
Water Pressure Tested Between Min. 0.2 bar, Max. 6.0 bar

Standards Complies with BS6920, BS EN200
Cartridge 25mm Ceramic disc cartridge
Aerator Adjustable Slim Aerator
Fitting UK: M10 x 350mm G½" BSP Female Flexi Tails
EU: M10 x 350mm G3/8" BSP Female Flexi Tails

Guarantee 10 years against manufacturing faults (excluding serviceable parts)

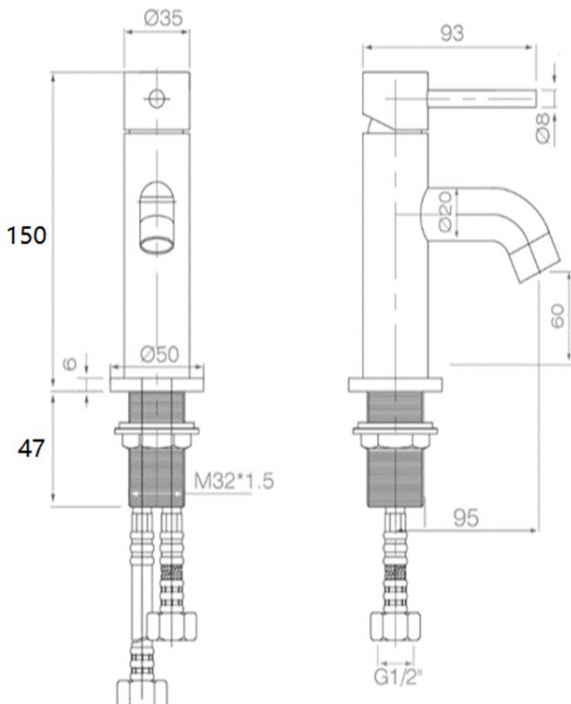
Additional Information Supplied with G1¼" sprung waste (UK only)

ERGO CLOAKROOM

BASIN MONOBLOC

MIXER

EL/186



The information contained on this page was correct at the date of issue. Fitting dimensions are provided as a guide only. Some variation may occur due to manufacturing tolerances. We pursue a policy of continuing improvement in design and performance of our products and so reserve the right to change specifications without prior notice

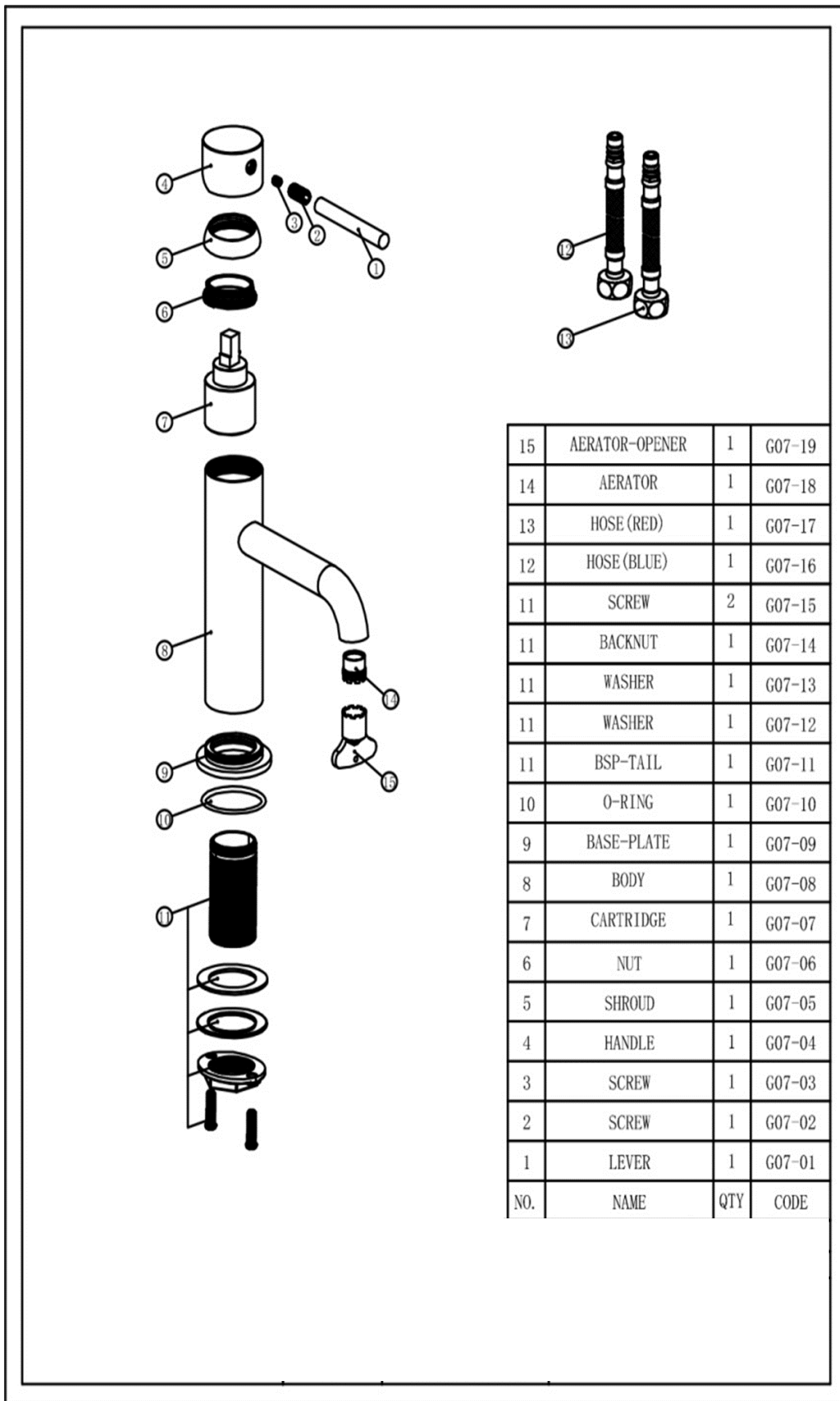
FOR FURTHER ADVICE PLEASE CONTACT :-

SAGITTARIUS LTD UNIT 1 LOWER VICTORIA STREET—CHADDERTON—OLDHAM—OL9 9TU TEL:0616 6202029

EMAIL:TECHNICAL@SAGITTARIUSTAPS.CO.UK

Flow Rates (Litres per minute)

System Pressure	0.1 Bar	0.2 Bar	0.3 Bar	0.5 Bar	1.0 Bar	1.5 Bar	2.0 Bar	3.0 Bar	4.0 Bar	5.0 Bar
	-	-	-	4.9	6.5	-	7.1	8.6	-	-



FOR FURTHER ADVICE PLEASE CONTACT :-

SAGITTARIUS LTD UNIT 1 LOWER VICTORIA STREET—CHADDERTON—OLDHAM—OL9 9TU TEL:0616 6202029

EMAIL:TECHNICAL@SAGITTARIUSTAPS.CO.UK