

SAGITTARIUS

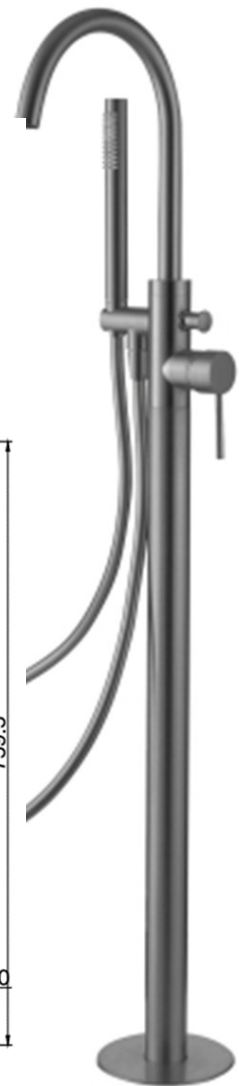
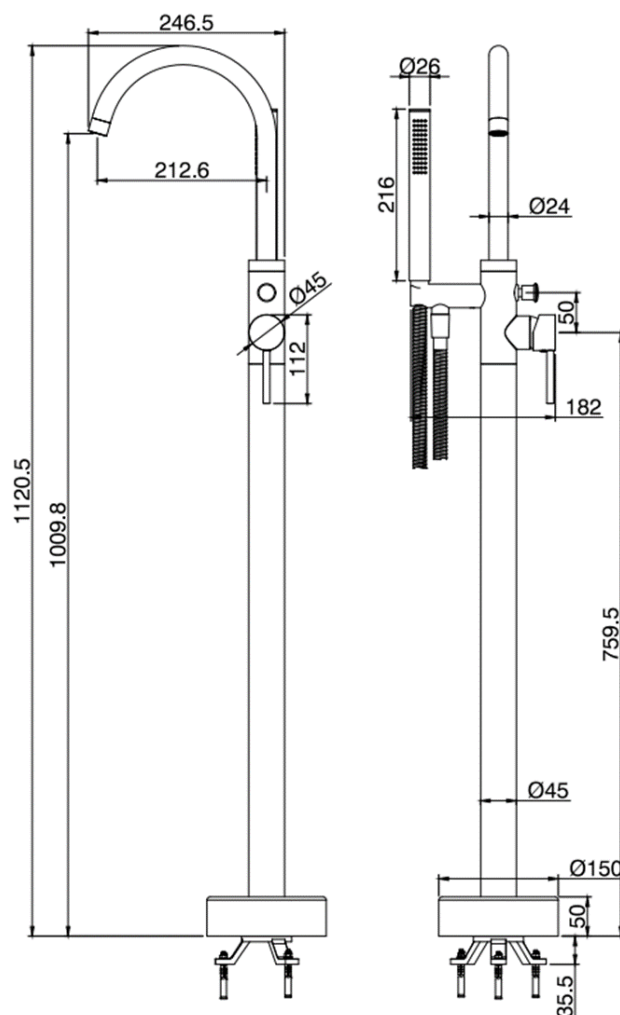
TAPS & SHOWERING

Construction	Brass Body; Zinc alloy handle
Finishes	Gunmetal Grey
Product Type	Contemporary
Water Pressure Tested Between	Min. 0.2 bar, Max. 6.0 bar
Cartridge	35mm Ceramic Disc Cartridge
Fitting	G ¾ " Flexible tails
Guarantee	5 years against manufacturing faults (excluding serviceable parts)

ERGO FREESTANDING BATH SHOWER MIXER GUNMETAL EL/174/GR

Additional Information 1. Handset : ABS
2. Shower hose : PVC , 1.5m

Operating Water Pressure



The information contained on this page was correct at the date of issue. Fitting dimensions are provided as a guide only. Some variation may occur due to manufacturing tolerances. We pursue a policy of continuing improvement in design and performance of our products and so reserve the right to change specifications without prior notice

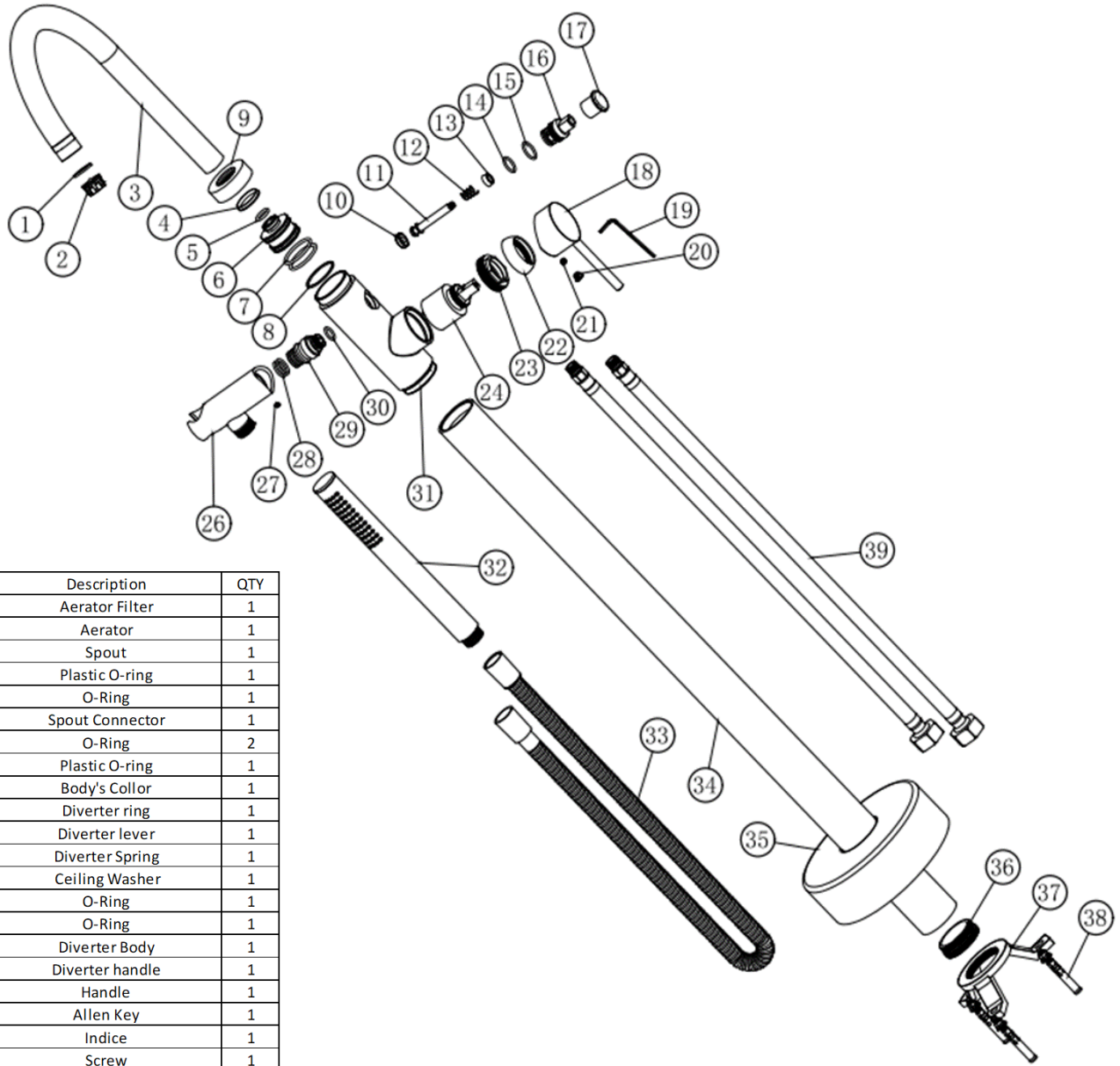
FOR FURTHER ADVICE PLEASE CONTACT :-

SAGITTARIUS LTD UNIT 1 LOWER VICTORIA STREET—CHADDERTON—OLDHAM—OL9 9TU TEL:0616 6202029

EMAIL:TECHNICAL@SAGITTARIUSTAPS.CO.UK

Flow Rates (Litres per minute)

System Pressure	0.1 Bar	0.2 Bar	0.3 Bar	0.5 Bar	1.0 Bar	1.5 Bar	2.0 Bar	3.0 Bar	4.0 Bar	5.0 Bar
	-	-	-	-	-	-	-	-	-	-



NO	Description	QTY
1	Aerator Filter	1
2	Aerator	1
3	Spout	1
4	Plastic O-ring	1
5	O-Ring	1
6	Spout Connector	1
7	O-Ring	2
8	Plastic O-ring	1
9	Body's Collor	1
10	Diverter ring	1
11	Diverter lever	1
12	Diverter Spring	1
13	Ceiling Washer	1
14	O-Ring	1
15	O-Ring	1
16	Diverter Body	1
17	Diverter handle	1
18	Handle	1
19	Allen Key	1
20	Indice	1
21	Screw	1
22	Handle Coller	1
23	Lock Nut	1
24	35mm Cartridge	1
26	Handset Holder	1
27	Screw	1
28	O-Ring	2
29	Handset Holder Connector	1
30	O-Ring	1
31	Body	1
32	Handset	1
33	Hose	1
34	Pipe (Body)	1
35	3 legs Cover	1
36	3 legs stand connector	1
37	3 legs Stand	1
38	Screw	3
39	Flexi Tail	2

FOR FURTHER ADVICE PLEASE CONTACT :-
 SAGITTARIUS LTD UNIT 1 LOWER VICTORIA STREET—CHADDERTON—OLDHAM—OL9 9TU TEL:0616 6202029
 EMAIL:TECHNICAL@SAGITTARIUSTAPS.CO.UK