

SAGITTARIUS

TAPS & SHOWERING

Construction

Brass Body
(CuZn40Pb18); Zinc-
alloy Handle
Chrome (Ni : 8-12um,
Cr : 0.25-0.3um)
Contemporary
Min. 0.5 bar, Max. 6.0
bar

Finishes

Product Type

Water Pressure Tested Be-
tween
Standards

Cartridge

Aerator Fitting

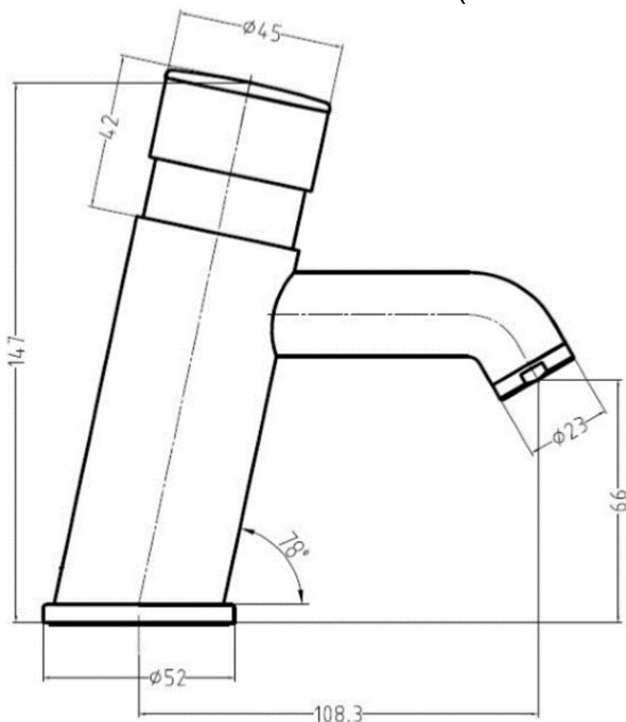
Guarantee

Additional Information

Complies with
BS5412, BS EN200
Non concussive mixer
valve (adjustable)
Spout aerator
G1/2" BSP Female
Flexible Inlet connec-
tion hoses supplied
1 years against manu-
facturing faults
(excluding serviceable
parts)
Adjustable flow time
(between 6-9 seconds)

**ERGO TEMP & TIME CON-
TROLLED NON CONCUSSIVE
BASIN MIXER CHROME**

EL/149/C



The information contained on this page was correct at the date of issue. Fitting dimensions are provided as a guide only. Some variation may occur due to manufacturing tolerances. We pursue a policy of continuing improvement in design and performance of our products and so reserve the right to change specifications without prior notice

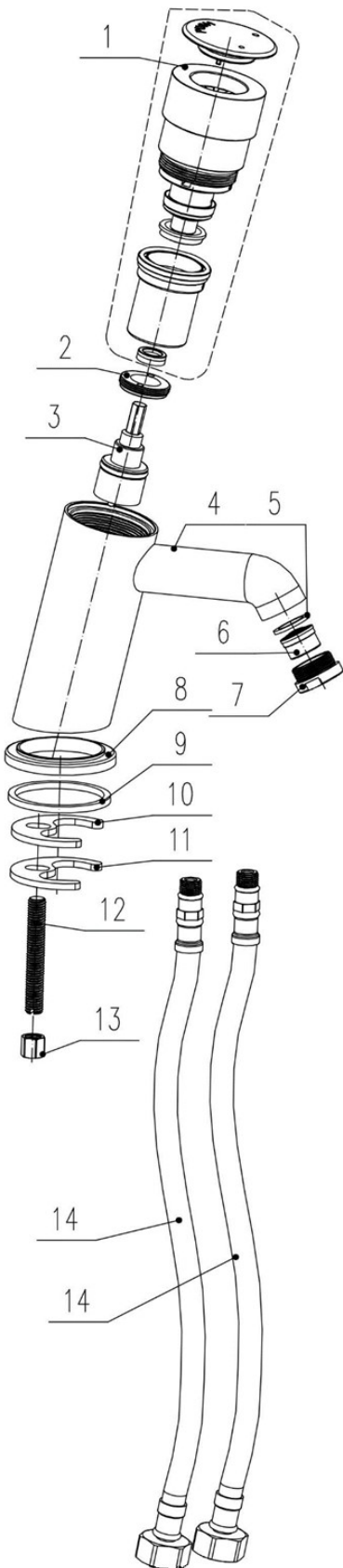
FOR FURTHER ADVICE PLEASE CONTACT :-

SAGITTARIUS LTD UNIT 1 LOWER VICTORIA STREET—CHADDERTON—OLDHAM—OL9 9TU TEL:0616 6202029

EMAIL:TECHNICAL@SAGITTARIUSTAPS.CO.UK

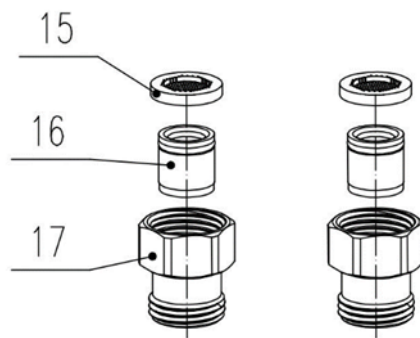
Flow Rates (Litres per minute)

System Pressure	0.2 Bar	0.3 Bar	0.5 Bar	1.0 Bar	1.5 Bar	2.0 Bar	3.0 Bar	4.0 Bar	5.0 Bar
	2.7	-	3.1	4.7	-	6.5	8.6	-	-



3 1. Use the hand to hold the handle tight when adjust the time.
 2. Turn screwdriver anti-clockwise to reduce the waterflow time. Turn screwdriver clockwise to increase waterflow time. Adjust time between 6s-9s.

Adjusting Timer



17	G1/2 adapter	2
16	φ15 plastic check valve	2
15	gasket with strainer	2
14	G1/2" braided tube	2
13	M8 brass nut	1
12	M8 stainless steel screw	1
11	stainless steel catch	1
10	rubber gasket	1
9	φ48 rubber gasket	1
8	φ52*6.5 flange	1
7	φ23 outlet	1
6	M20x1 bubbler	1
5	washer	1
4	tap body	1
3	Water valve core	1
2	M24x1 valve core holder	1
1	Time adjustable valve	1
NO	PCP Name	Amount