

# SAGITTARIUS

## TAPS & SHOWERING

<b>Construction</b>	Brass Body, Handle & Base plates, Brass Spout
<b>Finishes</b>	Brushed Brass
<b>Product Type</b>	Contemporary
<b>Water Pressure</b>	Min. 0.2 bar, Max. 6.0 bar
<b>Tested Between Standards</b>	Complies with BS5412, BS EN200
<b>Cartridge</b>	SEDAL WRAS approved 35mm Ceramic disc cartridge
<b>Aerator</b>	Spout aerator
<b>Fitting</b>	EZ-BOX - Two Brass Inlet G½" BSP Female (hot and cold) , One Outlet G½" BSP
<b>Guarantee</b>	10 years against manufacturing faults (excluding serviceable parts)
<b>Operating Water Pressure</b>	

### ERGO WALL MOUNTED BASIN MIXER BRUSHED BRASS EL/125/BB

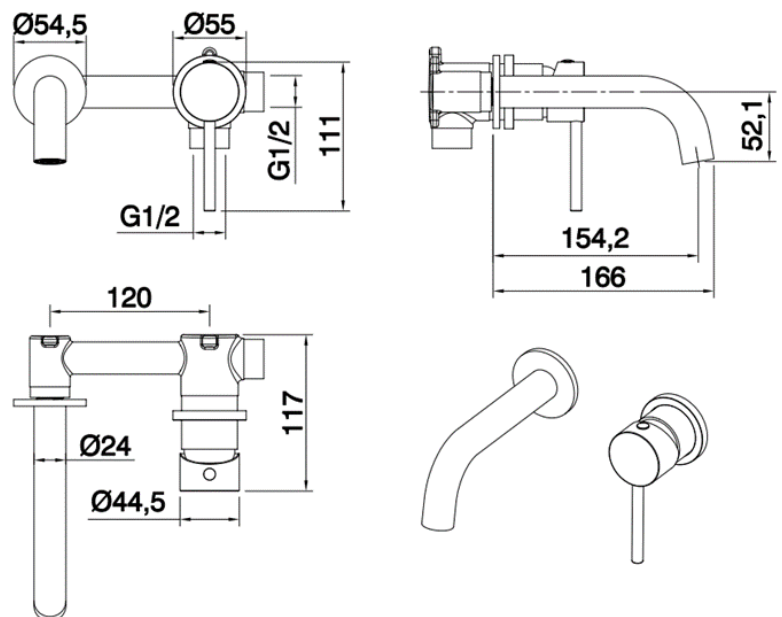


COMBI BOILER



HIGH PRESSURE

1.2 - 1.5+ bar



The information contained on this page was correct at the date of issue. Fitting dimensions are provided as a guide only. Some variation may occur due to manufacturing tolerances. We pursue a policy of continuing improvement in design and performance of our products and so reserve the right to change specifications without prior notice

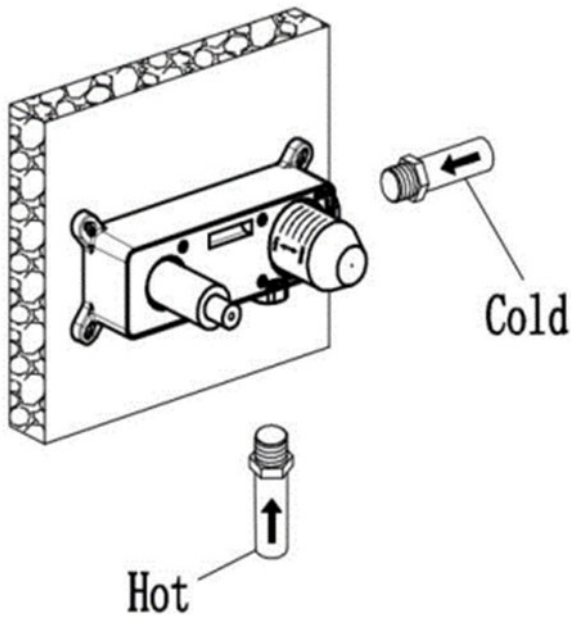
FOR FURTHER ADVICE PLEASE CONTACT :-

SAGITTARIUS LTD UNIT 1 LOWER VICTORIA STREET—CHADDERTON—OLDHAM—OL9 9TU TEL:0616 6202029

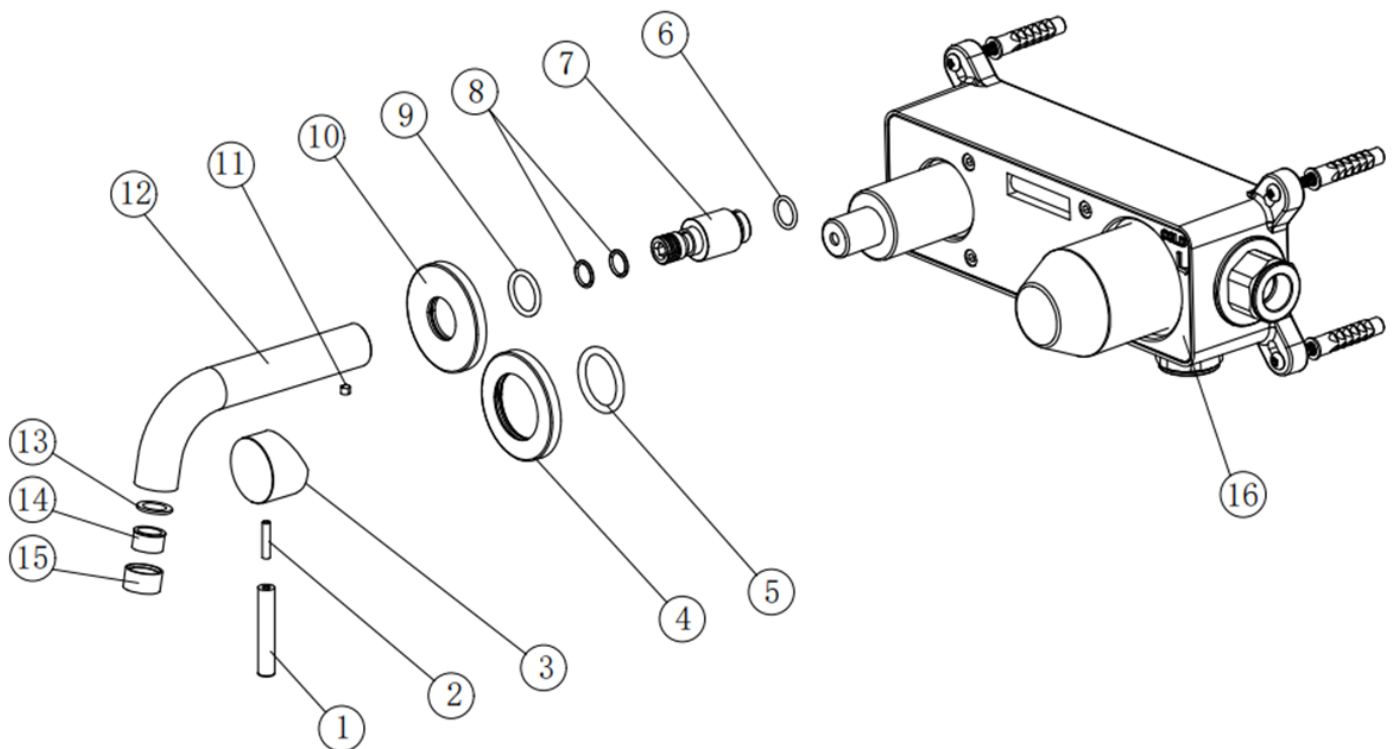
EMAIL:TECHNICAL@SAGITTARIUSTAPS.CO.UK

**Flow Rates** (Litres per minute)

System Pressure	0.1 Bar	0.2 Bar	0.3 Bar	0.5 Bar	1.0 Bar	1.5 Bar	2.0 Bar	3.0 Bar	4.0 Bar	5.0 Bar
	-	-	-	-	6.4	-	12.0	16.1	19.4	22.7



NO.	DESCRIPTION	QTY
1	BRASS HANDLE LEVER	1
2	M5x30 SS304 S/STEEL GRUB SCREW	1
3	BRASS HANDLE BODY	1
4	BRASS HANDLE BASE PLATE	1
5	Ø50*3.1 NBR O-RING	1
6	Ø22*2.5 NBR O-RING	3
7	BRASS SPOUT CONNECTOR	1
8	Ø18*2 NBR O-RING	2
9	Ø33*2.5 NBR O-RING	1
10	BRASS SPOUT BASE PLATE	1
11	SS304 S/STEEL GRUB SCREW	1
12	BRASS SPOUT	1
13	NBR AERATOR WASHER	1
14	AERATOR	1
15	BRASS AERATOR CASING	1
16	EASY BOX VALVE ASSEMBLY	1



FOR FURTHER ADVICE PLEASE CONTACT :-

SAGITTARIUS LTD UNIT 1 LOWER VICTORIA STREET—CHADDERTON—OLDHAM—OL9 9TU TEL:0616 6202029

EMAIL:TECHNICAL@SAGITTARIUSTAPS.CO.UK