

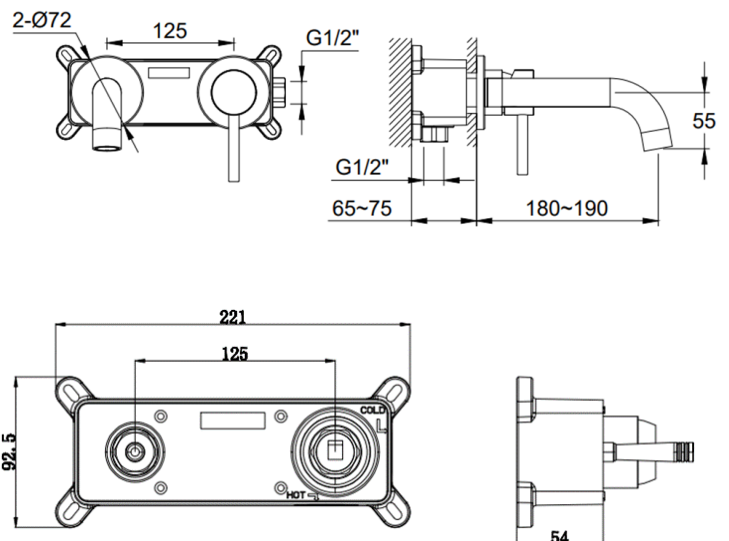
SAGITTARIUS

TAPS & SHOWERING

Construction	Brass Body, Handle & Base plates, Brass Spout
Finishes	Matt Black
Product Type	Contemporary
Water Pressure	Min. 0.2 bar, Max. 6.0 bar
Tested Between Standards	Complies with BS5412, BS EN200
Cartridge	SEDAL WRAS approved 35mm Ceramic disc cartridge
Aerator	Spout aerator
Fitting	EZ-BOX - Two Brass Inlet G $\frac{1}{2}$ " BSP Female (hot and cold) , One Outlet G $\frac{1}{2}$ " BSP
Guarantee	10 years against manufacturing faults (excluding serviceable parts)
Operating Water Pressure	

ERGO WALL MOUNTED BASIN MIXER

EL/125/B



The information contained on this page was correct at the date of issue. Fitting dimensions are provided as a guide only. Some variation may occur due to manufacturing tolerances. We pursue a policy of continuing improvement in design and performance of our products and so reserve the right to change specifications without prior notice

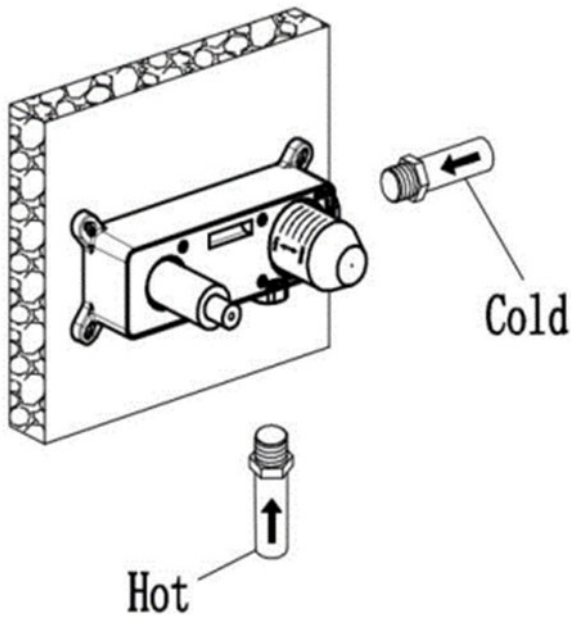
FOR FURTHER ADVICE PLEASE CONTACT :-

SAGITTARIUS LTD UNIT 1 LOWER VICTORIA STREET—CHADDERTON—OLDHAM—OL9 9TU TEL:0616 6202029

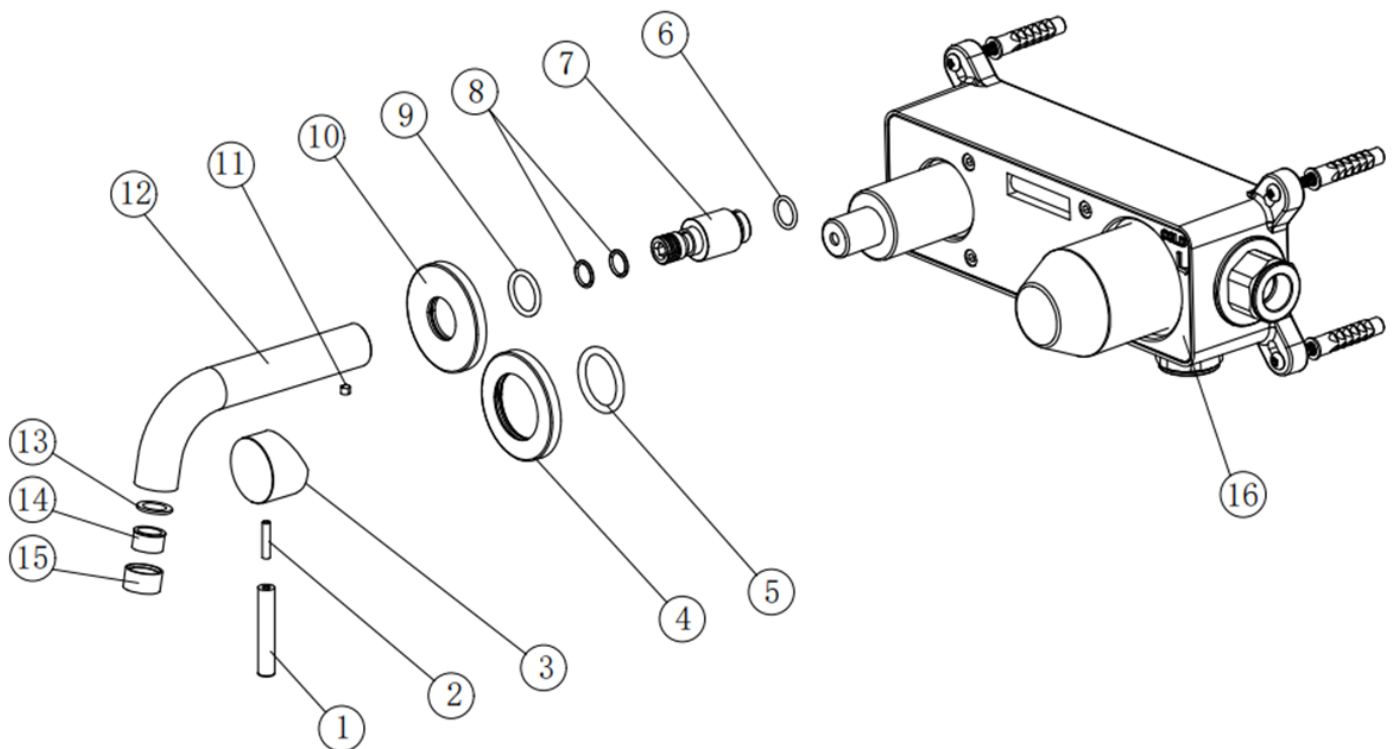
EMAIL:TECHNICAL@SAGITTARIUSTAPS.CO.UK

Flow Rates (Litres per minute)

System Pressure	0.1 Bar	0.2 Bar	0.3 Bar	0.5 Bar	1.0 Bar	1.5 Bar	2.0 Bar	3.0 Bar	4.0 Bar	5.0 Bar
	-	-	-	-	6.4	-	12.0	16.1	19.4	22.7



NO.	DESCRIPTION	QTY
1	BRASS HANDLE LEVER	1
2	M5x30 SS304 S/STEEL GRUB SCREW	1
3	BRASS HANDLE BODY	1
4	BRASS HANDLE BASE PLATE	1
5	Ø50*3.1 NBR O-RING	1
6	Ø22*2.5 NBR O-RING	3
7	BRASS SPOUT CONNECTOR	1
8	Ø18*2 NBR O-RING	2
9	Ø33*2.5 NBR O-RING	1
10	BRASS SPOUT BASE PLATE	1
11	SS304 S/STEEL GRUB SCREW	1
12	BRASS SPOUT	1
13	NBR AERATOR WASHER	1
14	AERATOR	1
15	BRASS AERATOR CASING	1
16	EASY BOX VALVE ASSEMBLY	1



FOR FURTHER ADVICE PLEASE CONTACT :-

SAGITTARIUS LTD UNIT 1 LOWER VICTORIA STREET—CHADDERTON—OLDHAM—OL9 9TU TEL:0616 6202029

EMAIL:TECHNICAL@SAGITTARIUSTAPS.CO.UK