

SAGITTARIUS

TAPS & SHOWERING

ERGO DECK MOUNTED 4 HOLE BATH SHOWER MIXER EL/114/B

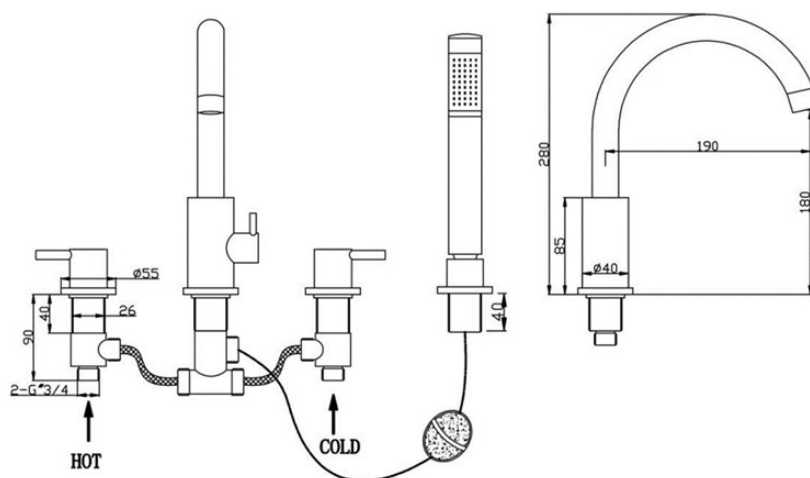
Construction	Brass Body; Zinc-alloy Handles
Finishes	Matt Black
Product Type	Contemporary
Water Pressure Tested Between	Min. 0.2 bar (handset) 0.2 bar (spout), Max. 6.0 bar
Cartridge	Ceramic disc valves
Fitting	Brass G3/4" BSP tails (hot and cold)
Guarantee	10 years against manufacturing faults (excluding serviceable parts)
Additional Information	1. Shower handset : Matt black , single mode 2. Shower hose : Matt black , 1.5m
Operating Water Pressure	



COMBI BOILER
1.2-1.5+ bar



HIGH PRESSURE
1.2-1.5+ bar



The information contained on this page was correct at the date of issue. Fitting dimensions are provided as a guide only. Some variation may occur due to manufacturing tolerances. We pursue a policy of continuing improvement in design and performance of our products and so reserve the right to change specifications without prior notice

FOR FURTHER ADVICE PLEASE CONTACT :-

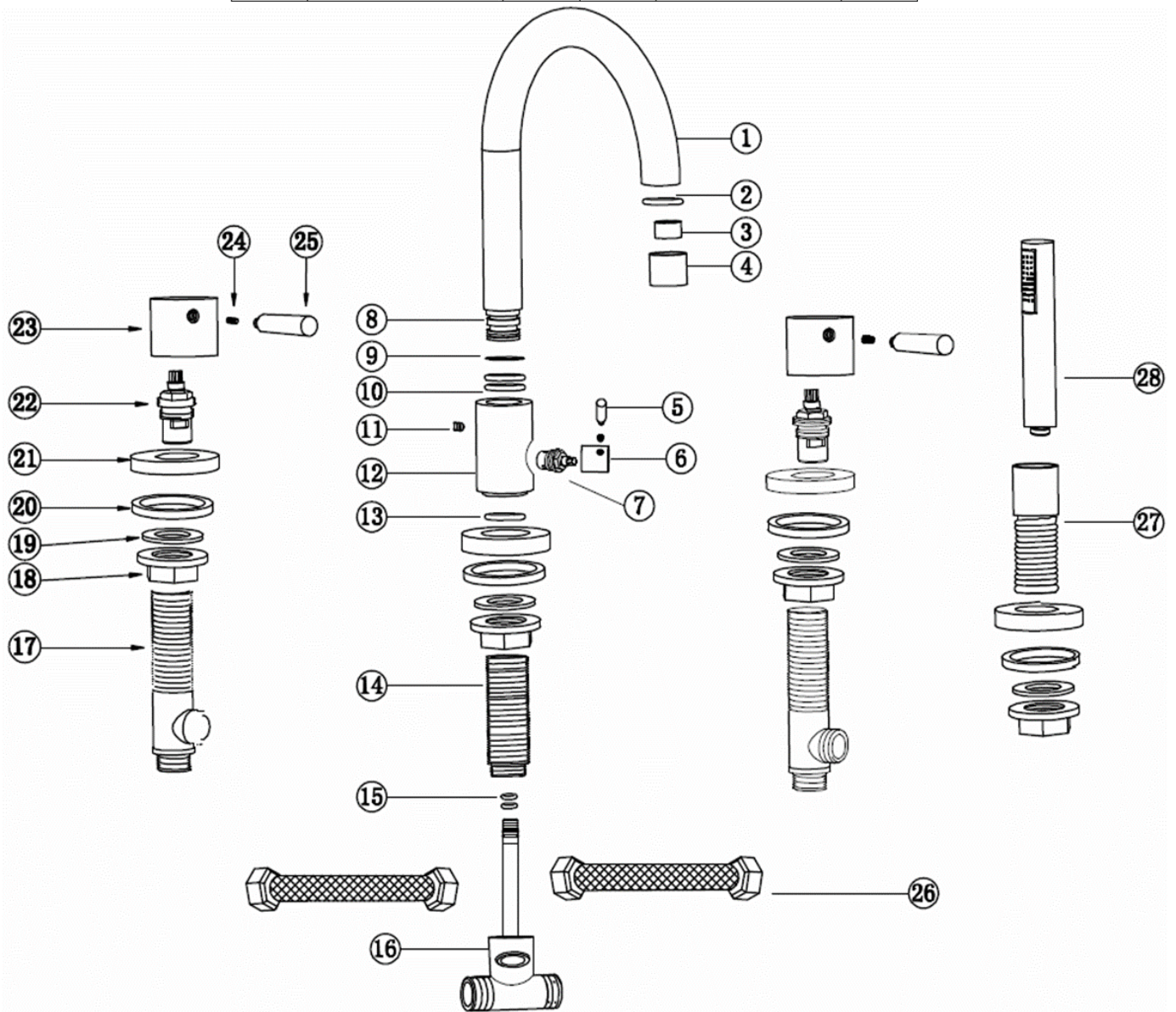
SAGITTARIUS LTD UNIT 1 LOWER VICTORIA STREET—CHADDERTON—OLDHAM—OL9 9TU TEL:0616 6202029

EMAIL:TECHNICAL@SAGITTARIUSTAPS.CO.UK

Flow Rates (Litres per minute)

System Pressure	0.1 Bar	0.2 Bar	0.3 Bar	0.5 Bar	1.0 Bar	1.5 Bar	2.0 Bar	3.0 Bar	4.0 Bar	5.0 Bar
	2.1	3.0	3.6	4.6	6.5	7.9	9.1	11.0	12.8	14.2

15	O-RING	2								
14	THREAD BAR	1	29		HOSE		1			
13	O-RING	1	28		HANDSET		1			
12	BODY	2	27		HANDSET HOLDER		1			
11	GRUB	2	26		FLEXI		2			
10	O-RING	2	25		HANDLE		2			
9	WASHER	1	24		GRUB		2			
8	CONNECTOR	2	23		SHROUD		2			
7	DIVERTER	1	22		CARTRIDGE		2			
6	SHROUD	1	21		BASE PLATE		4			
5	DIVERTER HANDLE	1	20		WASHER		4			
4	NOZZLE	1	19		WASHER		4			
3	AERATOR	1	18		NUT		4			
2	WASHER	1	17		FITTING BAR		2			
1	SPOUT	1	16		CONNECTOR		1			
No.	DESCRIPTION	QTY	No.	DESCRIPTION	QTY					



FOR FURTHER ADVICE PLEASE CONTACT :-

SAGITTARIUS LTD UNIT 1 LOWER VICTORIA STREET—CHADDERTON—OLDHAM—OL9 9TU TEL:0616 6202029

EMAIL:TECHNICAL@SAGITTARIUSTAPS.CO.UK