

SAGITTARIUS

TAPS & SHOWERING

ERGO DECK MOUNTED BASIN MIXER EL/111/B

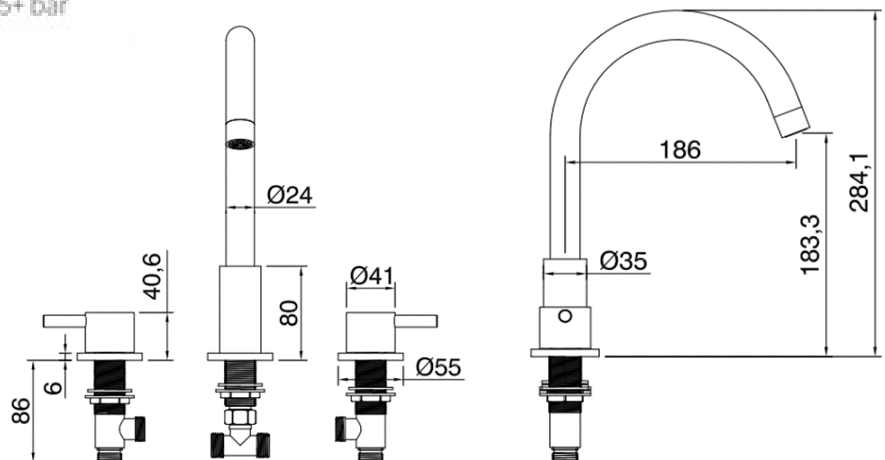
Construction	Brass Body, Zinc-alloy Handles
Finishes	Matt Black
Product Type	Contemporary
Water Pressure Tested Between Standards	Min. 0.2 bar, Max. 6.0 bar Complies with BS5412, BS EN200
Cartridge	¼ turn ¾" Ceramic disc valves
Aerator	Neoperl spout aerator
Fitting	Brass 1/2" BSP tails (hot and cold)
Guarantee	10 years against manufacturing faults (excluding serviceable parts)
Operating Water Pressure	



COMBI BOILER
1.2 - 1.5+ bar



HIGH PRESSURE
1.2 - 1.5+ bar



The information contained on this page was correct at the date of issue. Fitting dimensions are provided as a guide only. Some variation may occur due to manufacturing tolerances. We pursue a policy of continuing improvement in design and performance of our products and so reserve the right to change specifications without prior notice

FOR FURTHER ADVICE PLEASE CONTACT :-

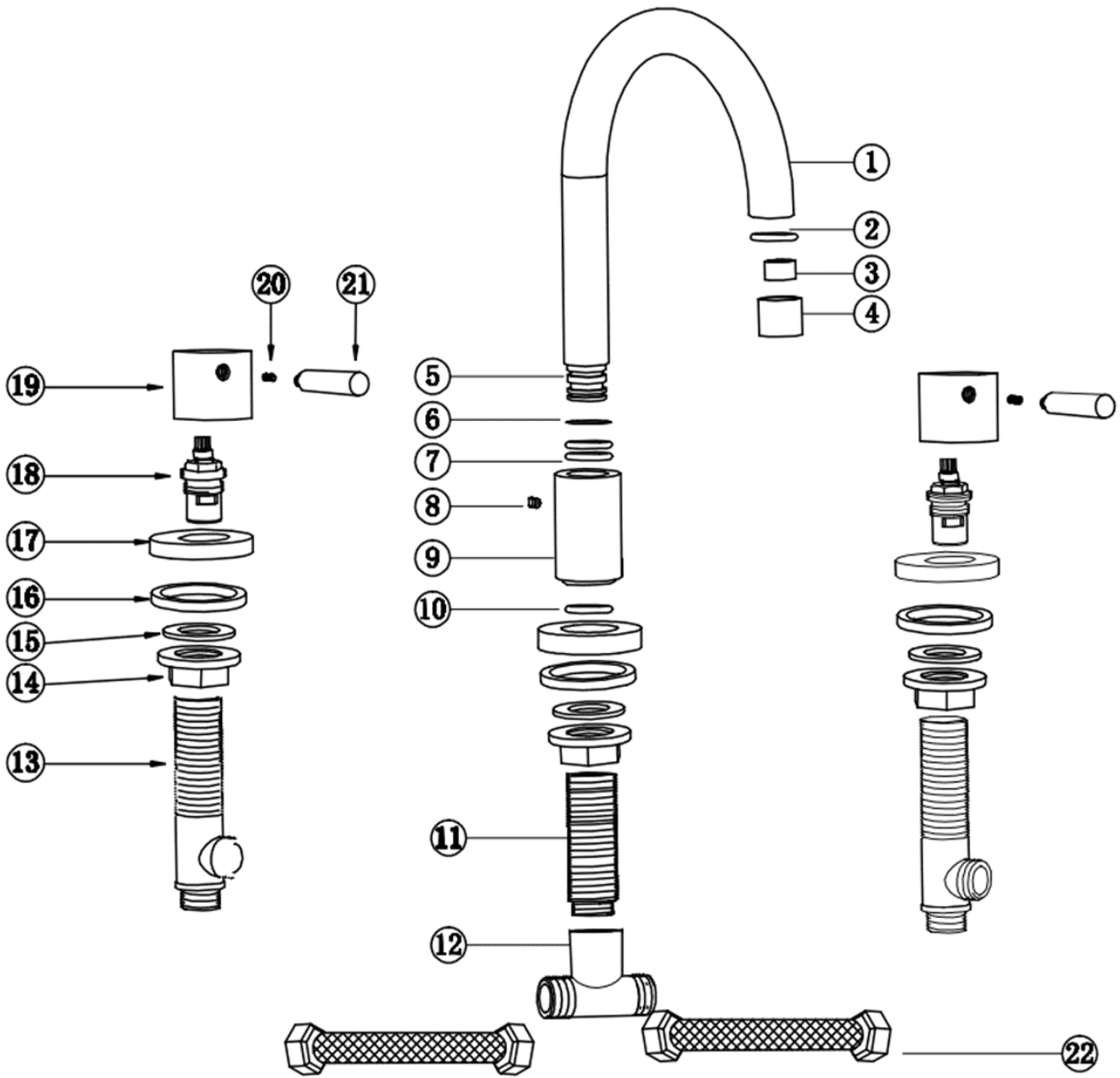
SAGITTARIUS LTD UNIT 1 LOWER VICTORIA STREET—CHADDERTON—OLDHAM—OL9 9TU TEL:0616 6202029

EMAIL:TECHNICAL@SAGITTARIUSTAPS.CO.UK

Flow Rates (Litres per minute)

System Pressure	0.1 Bar	0.2 Bar	0.3 Bar	0.5 Bar	1.0 Bar	1.5 Bar	2.0 Bar	3.0 Bar	4.0 Bar	5.0 Bar
	-	4.7	-	6.9	10.2	-	14.9	17.6	-	-

11	THREAD BAR	1	22	FLEXI	2
10	O-RING	1	21	HANDLE	2
9	BODY	2	20	GRUB	2
8	GRUB	2	19	SHROUD	2
7	O-RING	2	18	CARTRIDGE	2
6	WASHER	1	17	BASE PLATE	3
5	CONNECTOR	2	16	WASHER	3
4	NOZZLE	1	15	WASHER	3
3	AERATOR	1	14	NUT	3
2	WASHER	1	13	FITTING BAR	2
1	SPOUT	1	12	CONNECTOR	1
No.	DESCRIPTION	QTY	No.	DESCRIPTION	QTY



FOR FURTHER ADVICE PLEASE CONTACT :-
 SAGITTARIUS LTD UNIT 1 LOWER VICTORIA STREET—CHADDERTON—OLDHAM—OL9 9TU TEL:0616 6202029
 EMAIL:TECHNICAL@SAGITTARIUSTAPS.CO.UK