

SAGITTARIUS

TAPS & SHOWERING

ERGO LEVER TALL MONO BASIN MIXER EL/109

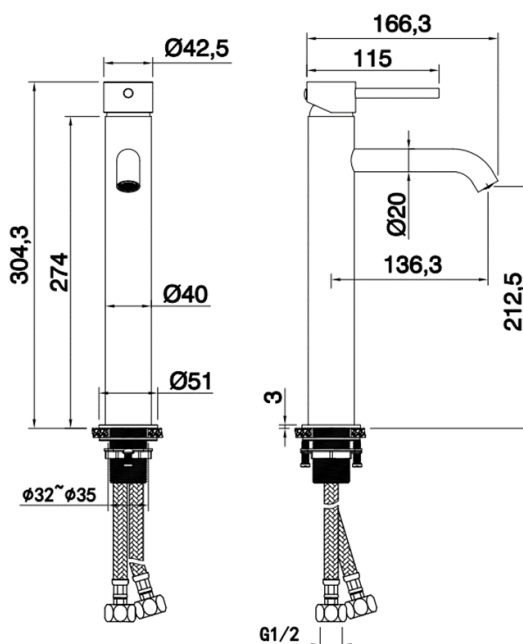
Construction	Brass Body, Zinc-alloy Handle
Finishes	Chrome (Ni : 8-12um, Cr : 0.25-0.3um)
Product Type	Contemporary
Water Pressure Tested Between Standards	Min. 0.2 bar, Max. 6.0 bar Complies with BS6920, BS EN200
Cartridge	CITEC 35mm 110° Coolstart Ceramic disc cartridge
Aerator	Neoperl Slim Aerator
Fitting	UK: M10 x 350mm G½" BSP Female Flexi Tails EU: M10 x 350mm G3/8" BSP Female Flexi Tails
Guarantee	10 years against manufacturing faults (excluding serviceable parts)
Operating Water Pressure	



COMBI BOILER
1.2 - 1.5+ bar



HIGH PRESSURE
1.2 - 1.5+ bar



The information contained on this page was correct at the date of issue. Fitting dimensions are provided as a guide only. Some variation may occur due to manufacturing tolerances. We pursue a policy of continuing improvement in design and performance of our products and so reserve the right to change specifications without prior notice

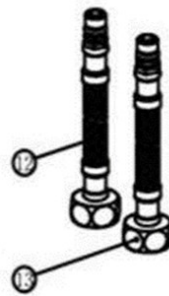
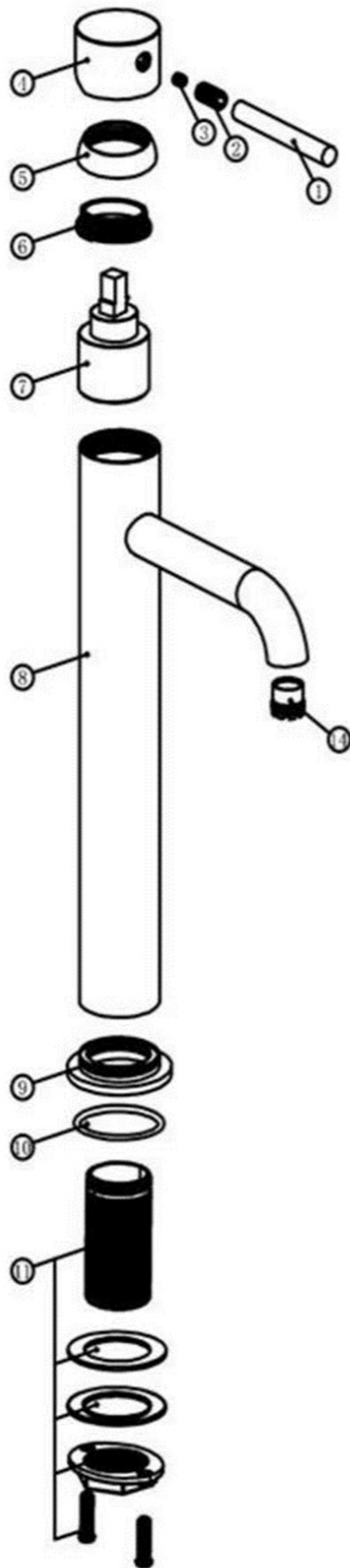
FOR FURTHER ADVICE PLEASE CONTACT :-

SAGITTARIUS LTD UNIT 1 LOWER VICTORIA STREET—CHADDERTON—OLDHAM—OL9 9TU TEL:0616 6202029

EMAIL:TECHNICAL@SAGITTARIUSTAPS.CO.UK

Flow Rates (Litres per minute)

System Pressure	0.1 Bar	0.2 Bar	0.3 Bar	0.5 Bar	1.0 Bar	1.5 Bar	2.0 Bar	3.0 Bar	4.0 Bar	5.0 Bar
	-	-	-	4.4	6.0	-	8.3	10.1	-	-



14	AERATOR	1	G08-18
13	HOSE (RED)	1	G08-17
12	HOSE (BLUE)	1	G08-16
11	SCREW	2	G08-15
11	BACKNUT	1	G08-14
11	WASHER	1	G08-13
11	WASHER	1	G08-12
11	BSP-TAIL	1	G08-11
10	O-RING	1	G08-10
9	BASE-PLATE	1	G08-09
8	BODY	1	G08-08
7	CARTRIDGE	1	G08-07
6	NUT	1	G08-06
5	SHROUD	1	G08-05
4	HANDLE	1	G08-04
3	SCREW	1	G08-03
2	SCREW	1	G08-02
1	LEVER	1	G08-01
NO.	NAME	QTY	CODE

FOR FURTHER ADVICE PLEASE CONTACT :-

SAGITTARIUS LTD UNIT 1 LOWER VICTORIA STREET—CHADDERTON—OLDHAM—OL9 9TU TEL:0616 6202029

EMAIL:TECHNICAL@SAGITTARIUSTAPS.CO.UK