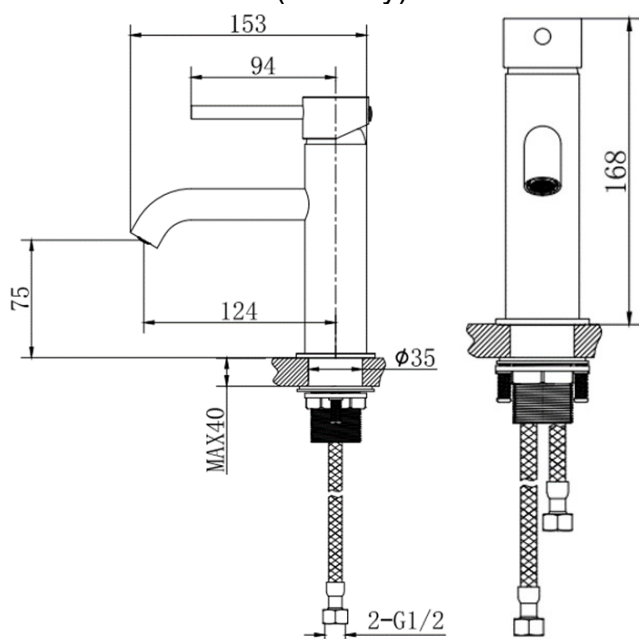


# SAGITTARIUS

## TAPS & SHOWERING

<b>Construction</b>	Brass Body (CuZn40Pb2), EN CW617N (equivalent to BS CZ122); Zinc-alloy Handle
<b>Finishes</b>	Chrome (Ni : 8-12um, Cr : 0.25-0.3um)
<b>Product Type</b>	Contemporary
<b>Water Pressure Tested Between Standards</b>	Min. 0.5 bar, Max. 6.0 bar Complies with BS6920, BS EN200
<b>Certification</b>	WRAS approval and certification
<b>Cartridge</b>	CITEC 35mm 110° Turn Cold Start Ceramic disc cartridge
<b>Aerator</b>	Neoperl Slim Aerator
<b>Fitting</b>	UK: M10 x 350mm G½" BSP Female Flexi Tails EU: M10 x 350mm G3/8" BSP Female Flexi Tails
<b>Guarantee</b>	10 years against manufacturing faults (excluding serviceable parts)
<b>Additional Information</b>	Supplied with G1¼" sprung waste (UK only)

### ERGO LEVER MONOBLOC BASIN MIXER EL/106/C



The information contained on this page was correct at the date of issue. Fitting dimensions are provided as a guide only. Some variation may occur due to manufacturing tolerances. We pursue a policy of continuing improvement in design and performance of our products and so reserve the right to change specifications without prior notice

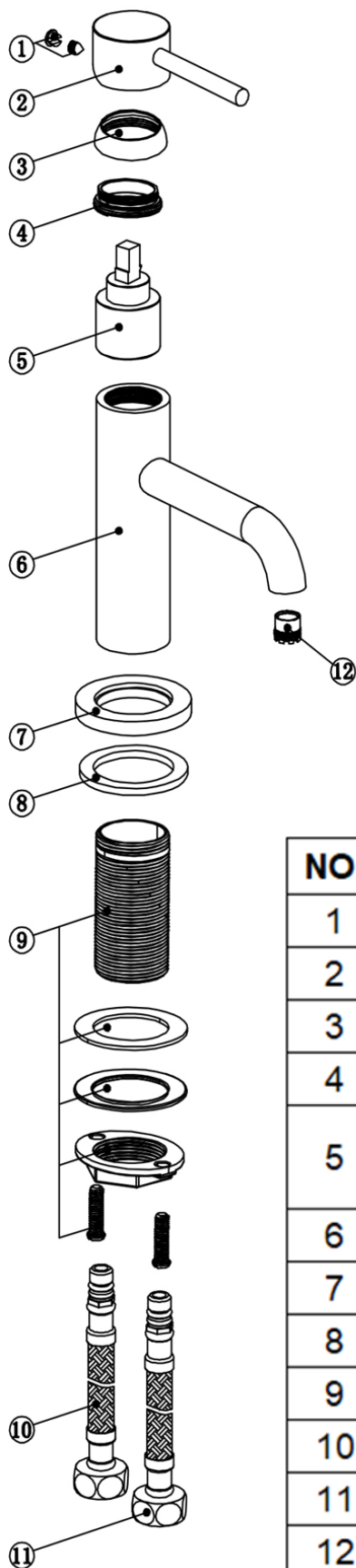
FOR FURTHER ADVICE PLEASE CONTACT :-

SAGITTARIUS LTD UNIT 1 LOWER VICTORIA STREET—CHADDERTON—OLDHAM—OL9 9TU TEL:0616 6202029

EMAIL:TECHNICAL@SAGITTARIUSTAPS.CO.UK

**Flow Rates** (Litres per minute)

System Pressure	0.1 Bar	0.2 Bar	0.3 Bar	0.5 Bar	1.0 Bar	1.5 Bar	2.0 Bar	3.0 Bar	4.0 Bar	5.0 Bar
	-	-	-	4.6	6.0	-	8.3	10.2	-	-



NO.	ITEM	QTY
1	GRUB SCREW & COVER CAP	1
2	ZINC-ALLOY HANDLE	1
3	HANDLE COLLAR	1
4	BRASS CARTRIDGE NUT	1
5	35MM CITEC COLD-START CERAMIC DISC CARTRIDGE	1
6	BRASS TAP BODY	1
7	BASE PLATE	1
8	BASE PLATE WASHER	1
9	BRASS TAP FIXING SET	1
10	G1/2" BSP FLEXI-TAIL (HOT)	1
11	G1/2" BSP FLEXI-TAIL (COLD)	1
12	AERATOR	1

FOR FURTHER ADVICE PLEASE CONTACT :-

SAGITTARIUS LTD UNIT 1 LOWER VICTORIA STREET—CHADDERTON—OLDHAM—OL9 9TU TEL:0616 6202029

EMAIL:TECHNICAL@SAGITTARIUSTAPS.CO.UK