

# SAGITTARIUS

## TAPS & SHOWERING

|                                      |  |
|--------------------------------------|--|
| <b>Construction</b>                  | Brass Body; Zinc-alloy Handles                                     |
| <b>Finishes</b>                      | Gunmetal Grey  |
| <b>Product Type</b>                  | Contemporary   |
| <b>Water Pressure Tested Between</b> | Min. 0.2 bar, Max. 6.0 bar   |
| <b>Aerator</b>                       | Spout aerator  |
| <b>Cartridge</b>                     | Ceramic disc valves  |
| <b>Fitting</b>                       | G $\frac{3}{4}$ " BSP tails  |
| <b>Guarantee</b>                     | 5 years against manufacturing faults (excluding serviceable parts) |
| <b>Additional Information</b>        | 1.5m PVC Shower Hose   |

**ERGO BATH SHOWER MIXER**

**GUNMETAL**

**EL/105/GR**

### Operating Water Pressure



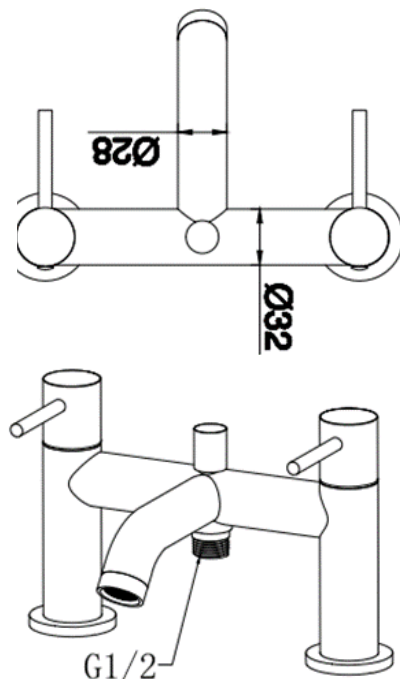
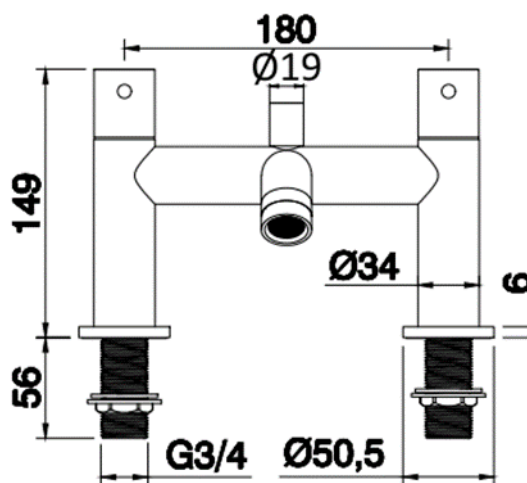
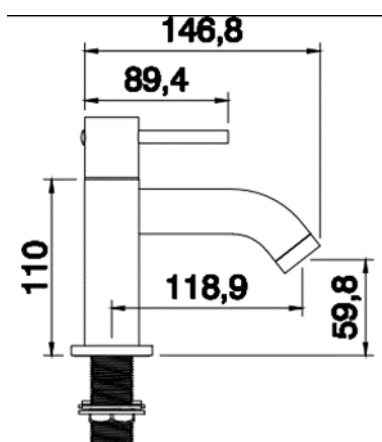
**LOW PRESSURE**  
0.2-0.5 bar



**COMBI BOILER**



**HIGH PRESSURE**  
1.2-1.5+ bar



The information contained on this page was correct at the date of issue. Fitting dimensions are provided as a guide only. Some variation may occur due to manufacturing tolerances. We pursue a policy of continuing improvement in design and performance of our products and so reserve the right to change specifications without prior notice.

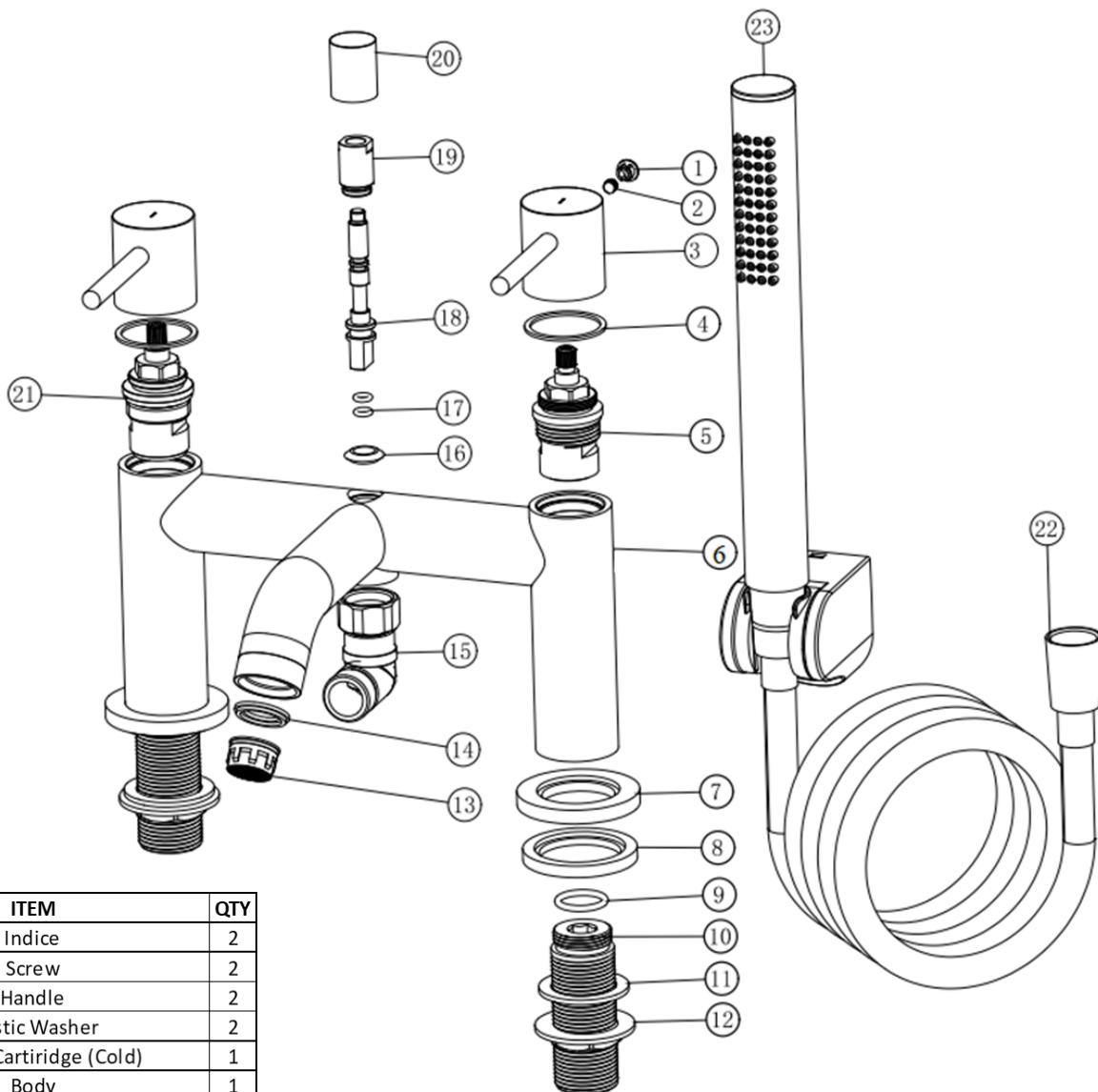
FOR FURTHER ADVICE PLEASE CONTACT :-

SAGITTARIUS LTD UNIT 1 LOWER VICTORIA STREET—CHADDERTON—OLDHAM—OL9 9TU TEL:0616 6202029

EMAIL:TECHNICAL@SAGITTARIUSTAPS.CO.UK

**Flow Rates (Litres per minute)**

| System Pressure | 0.1 Bar | 0.2 Bar | 0.3 Bar | 0.5 Bar | 1.0 Bar | 1.5 Bar | 2.0 Bar | 3.0 Bar | 4.0 Bar | 5.0 Bar |
|-----------------|---------|---------|---------|---------|---------|---------|---------|---------|---------|---------|
|                 | 5.3     | -       | 8.9     | 11.6    | 16.6    | -       | 22.9    | 26.7    | -       | -       |



| NO. | ITEM                    | QTY |
|-----|-------------------------|-----|
| 1   | Indice                  | 2   |
| 2   | Screw                   | 2   |
| 3   | Handle                  | 2   |
| 4   | Plastic Washer          | 2   |
| 5   | On/Off Cartridge (Cold) | 1   |
| 6   | Body                    | 1   |
| 7   | Base Plate              | 2   |
| 8   | Washer                  | 2   |
| 9   | O-Ring                  | 2   |
| 10  | Fitting Kit part        | 2   |
| 11  | Fitting Kit part        | 2   |
| 12  | Fitting Kit part        | 2   |
| 13  | Aerator                 | 1   |
| 14  | Filter                  | 1   |
| 15  | Outlet Connector        | 1   |
| 16  | O-Ring                  | 1   |
| 17  | O-Ring                  | 2   |
| 18  | Diverter                | 1   |
| 19  | Diverter Cover          | 1   |
| 20  | Diverter Cap            | 1   |
| 21  | On/Off Cartridge (Hot)  | 1   |
| 22  | PVC Hose                | 1   |
| 23  | Handset                 | 1   |

FOR FURTHER ADVICE PLEASE CONTACT :-

SAGITTARIUS LTD UNIT 1 LOWER VICTORIA STREET—CHADDERTON—OLDHAM—OL9 9TU TEL:0616 6202029

EMAIL:TECHNICAL@SAGITTARIUSTAPS.CO.UK