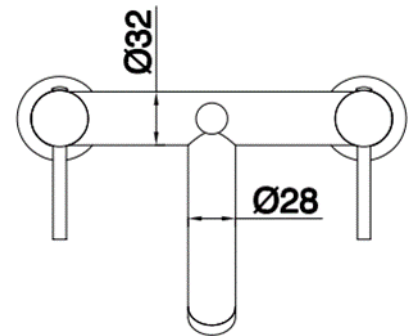


# SAGITTARIUS

## TAPS & SHOWERING

<b>Construction</b>	Brass Body, Zinc-alloy Handles; Brass Base plates
<b>Finishes</b>	Brushed Brass
<b>Product Type</b>	Contemporary
<b>Water Pressure Tested Between</b>	Min. 0.2 bar, Max. 6.0 bar
<b>Standards</b>	Complies with BS5412, BS EN200
<b>Certification</b>	Manufactured to comply with WRAS
<b>Cartridge</b>	1/4 Turn 3/4" Ceramic disc valves
<b>Aerator</b>	M22 Spout aerator
<b>Fitting</b>	Brass G3/4" BSP tails
<b>Guarantee</b>	10 years against manufacturing faults (excluding serviceable parts)
<b>Additional Information</b>	Supplied with Brushed brass 1.5m smooth PVC hose, outlet hose elbow, single mode ABS handset & wall mounted ABS holder

**ERGO LEVER BATH  
SHOWER MIXER  
BRUSHED BRASS  
EL/105/B**



### Operating Water Pressure



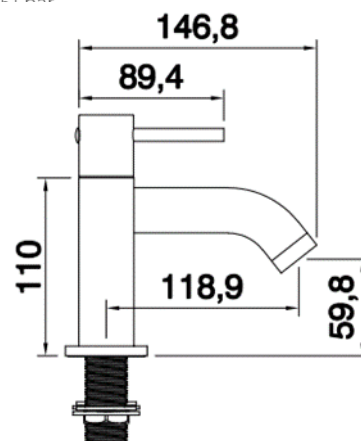
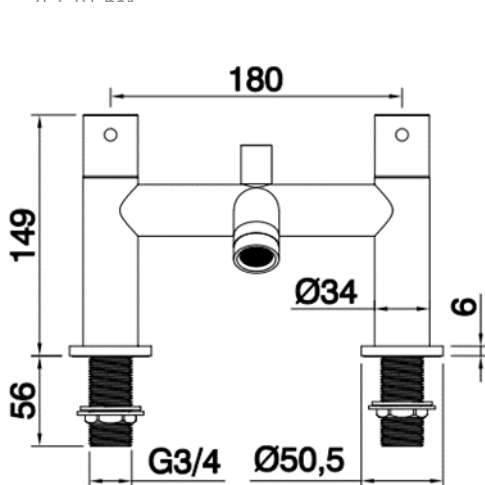
**LOW PRESSURE**  
0.2 - 0.5 bar



**COMBI BOILER**



**HIGH PRESSURE**  
1.2 - 1.5 bar



The information contained on this page was correct at the date of issue. Fitting dimensions are provided as a guide only. Some variation may occur due to manufacturing tolerances. We pursue a policy of continuing improvement in design and performance of our products and so reserve the right to change specifications without prior notice

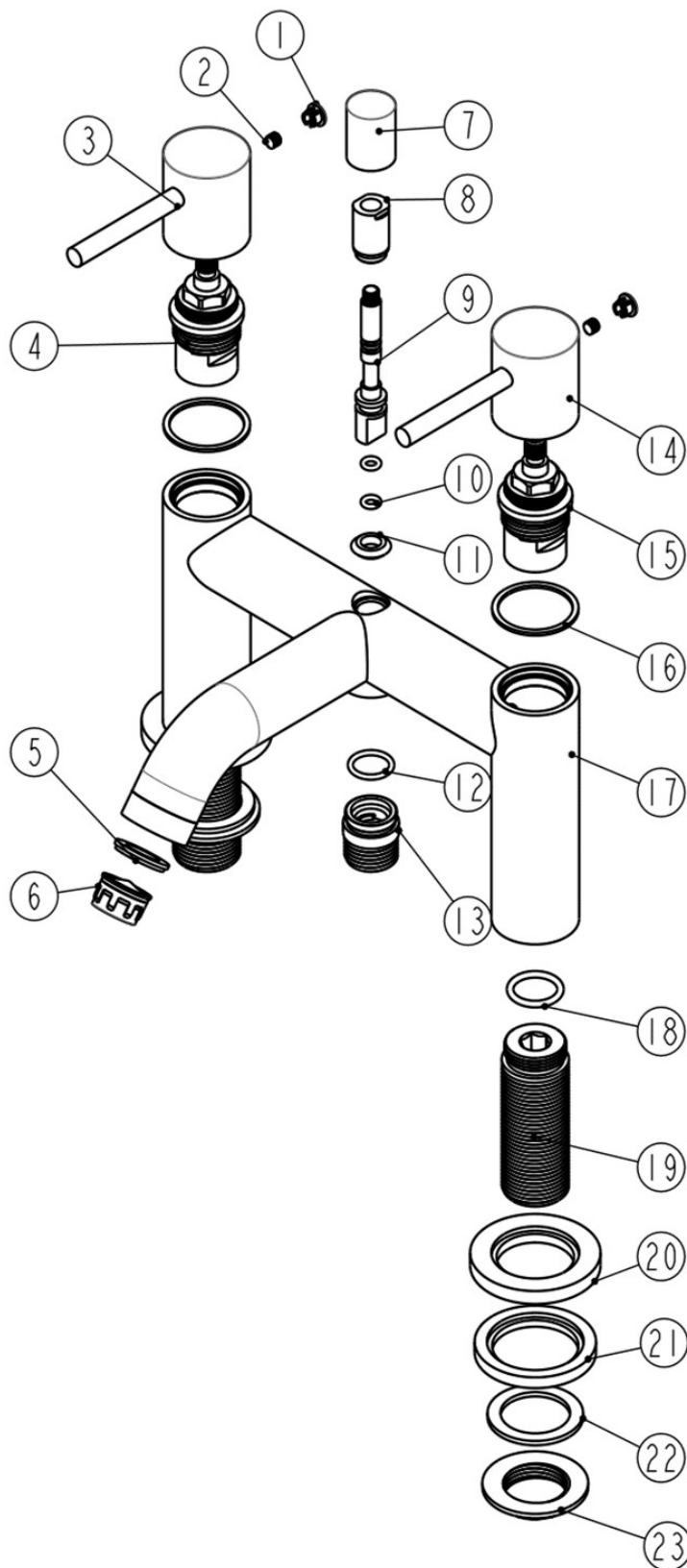
FOR FURTHER ADVICE PLEASE CONTACT :-

SAGITTARIUS LTD UNIT 1 LOWER VICTORIA STREET—CHADDERTON—OLDHAM—OL9 9TU TEL:0616 6202029

EMAIL:TECHNICAL@SAGITTARIUSTAPS.CO.UK

**Flow Rates (Litres per minute)**

System Pressure	0.1 Bar	0.2 Bar	0.3 Bar	0.5 Bar	1.0 Bar	1.5 Bar	2.0 Bar	3.0 Bar	4.0 Bar	5.0 Bar
	-	-	-	6.4	9.5	12.0	13.9	17.2	-	-



NO.	ITEM	QTY
1	∅6.8 ABS COVER CAP	2
2	M5x5 S/S POINTED GRUB SCREW	2
3	∅34 ZINC-ALLOY HOT HANDLE	1
4	G3/4" HOT CERAMIC DISC CARTRIDGE	1
5	∅22.8*∅15*3 SILICONE WASHER	1
6	∅21*12 M22 PLASTIC AERATOR	1
7	BRASS DIVERTER CAP	1
8	BRASS DIVERTER CONNECTOR	1
9	BRASS DIVERTER ROD	1
10	∅8*1.9 NBR O-RING	2
11	NBR WASHER	1
12	∅18*2 NBR O-RING	1
13	BRASS OUTLET CONNECTOR	1
14	∅34 ZINC-ALLOY COLD HANDLE	1
15	G3/4" COLD CERAMIC DISC CARTRIDGE	1
16	∅33.5*∅29*1.2 PLASTIC HANDLE WASHER	2
17	BRASS TAP BODY	1
18	∅22*2.5 NBR O-RING	2
19	G3/4*68L BRASS BSP TAIL	2
20	∅50.5*6 BRASS BASE PLATE	2
21	∅47*5 RUBBER WASHER	2
22	∅37*∅27*2 RUBBER WASHER	2
23	G3/4*7L BRASS LOCK NUT	2

FOR FURTHER ADVICE PLEASE CONTACT :-

SAGITTARIUS LTD UNIT 1 LOWER VICTORIA STREET—CHADDERTON—OLDHAM—OL9 9TU TEL:0616 6202029

EMAIL:TECHNICAL@SAGITTARIUSTAPS.CO.UK