

SAGITTARIUS

TAPS & SHOWERING

Construction	Brass Body, Zinc-alloy Handles,
Finishes	Matt Black
Product Type	Contemporary
Water Pressure	Min. 0.2 bar, Max. 6.0 bar
Tested Between	
Standards	Complies with BS5412, BS EN200
Certification	WRAS approved
Aerator	M22 Spout aerator
Cartridge	1/4 Turn 3/4" Ceramic disc valves
Fitting	Brass G $\frac{3}{4}$ " BSP tails
Guarantee	10 years against manufacturing faults (excluding serviceable parts)

ERGO DECK MOUNTED BATH FILLER MATT BLACK EL/105/B

Operating Water Pressure



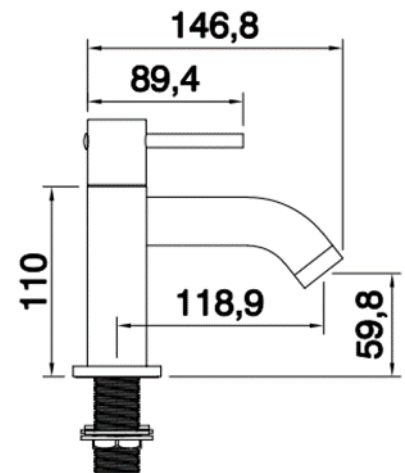
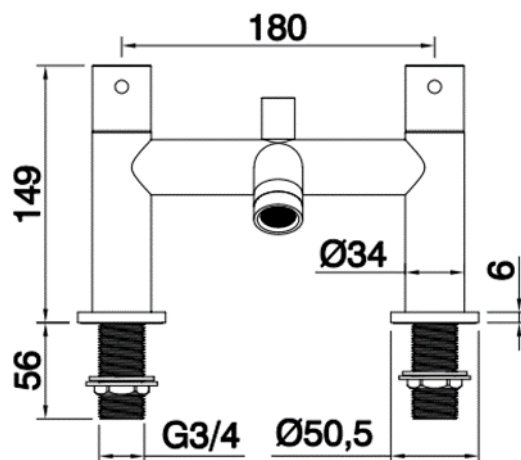
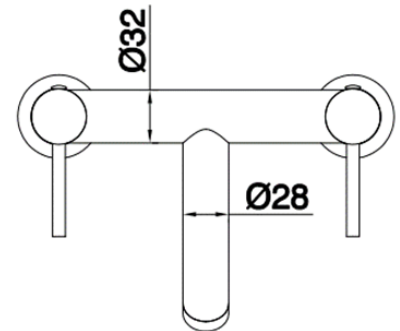
LOW PRESSURE
0.2 - 0.5 bar



COMBI BOILER



HIGH PRESSURE
1.2 - 1.5+ bar



The information contained on this page was correct at the date of issue. Fitting dimensions are provided as a guide only. Some variation may occur due to manufacturing tolerances. We pursue a policy of continuing improvement in design and performance of our products and so reserve the right to change specifications without prior notice

FOR FURTHER ADVICE PLEASE CONTACT :-

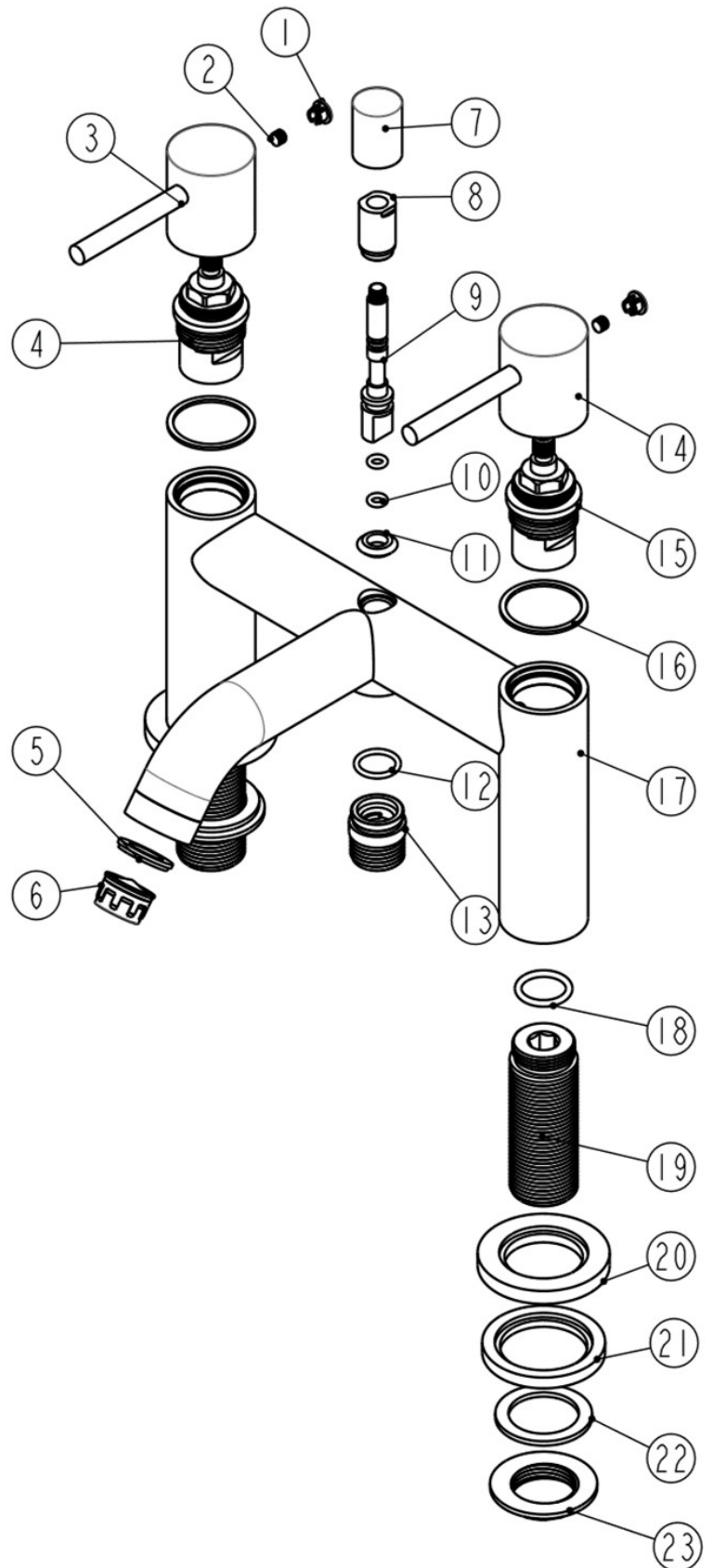
SAGITTARIUS LTD UNIT 1 LOWER VICTORIA STREET—CHADDERTON—OLDHAM—OL9 9TU TEL:0616 6202029

EMAIL:TECHNICAL@SAGITTARIUSTAPS.CO.UK

Flow Rates (Litres per minute)

System Pressure	0.1 Bar	0.2 Bar	0.3 Bar	0.5 Bar	1.0 Bar	1.5 Bar	2.0 Bar	3.0 Bar	4.0 Bar	5.0 Bar
	-	-	-	6.4	9.5	12.0	13.9	17.2	-	-

NO.	ITEM	QTY
1	∅6.8 ABS COVER CAP	2
2	M5x5 S/S POINTED GRUB SCREW	2
3	∅34 ZINC-ALLOY HOT HANDLE	1
4	G3/4" HOT CERAMIC DISC CARTRIDGE	1
5	∅22.8*∅15*3 SILICONE WASHER	1
6	∅21*12 M22 PLASTIC AERATOR	1
7	BRASS DIVERTER CAP	1
8	BRASS DIVERTER CONNECTOR	1
9	BRASS DIVERTER ROD	1
10	∅8*1.9 NBR O-RING	2
11	NBR WASHER	1
12	∅18*2 NBR O-RING	1
13	BRASS OUTLET CONNECTOR	1
14	∅34 ZINC-ALLOY COLD HANDLE	1
15	G3/4" COLD CERAMIC DISC CARTRIDGE	1
16	∅33.5*∅29*1.2 PLASTIC HANDLE WASHER	2
17	BRASS TAP BODY	1
18	∅22*2.5 NBR O-RING	2
19	G3/4"68L BRASS BSP TAIL	2
20	∅50.5*6 BRASS BASE PLATE	2
21	∅47*5 RUBBER WASHER	2
22	∅37*∅27*2 RUBBER WASHER	2
23	G3/4"7L BRASS LOCK NUT	2



FOR FURTHER ADVICE PLEASE CONTACT :-

SAGITTARIUS LTD UNIT 1 LOWER VICTORIA STREET—CHADDERTON—OLDHAM—OL9 9TU TEL:0616 6202029

EMAIL:TECHNICAL@SAGITTARIUSTAPS.CO.UK