

SAGITTARIUS

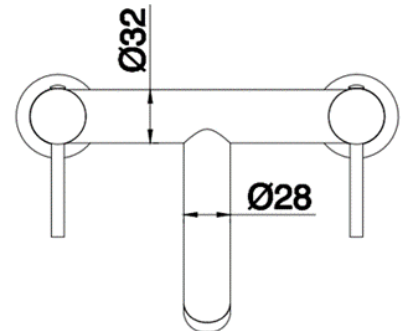
TAPS & SHOWERING

Construction	Brass Body; Zinc-alloy Handles
Finishes	Gunmetal Grey
Product Type	Contemporary
Water Pressure	Min. 0.5 bar, Max. 6.0 bar
Tested Between	
Aerator	Spout aerator
Cartridge	Ceramic disc valves
Fitting	G $\frac{3}{4}$ " BSP tails
Guarantee	5 years against manufacturing faults (excluding serviceable parts)

ERGO BATH FILLER

GUNMETAL

EL/104/GR



Operating Water Pressure



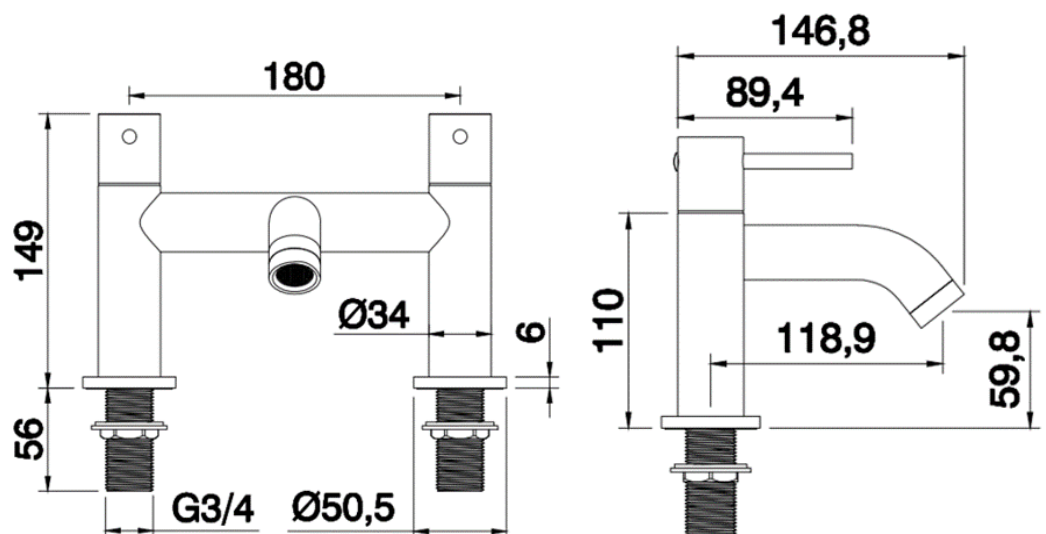
LOW PRESSURE
0.2 - 0.5 bar



COMBI BOILER



HIGH PRESSURE
1.2 - 1.5+ bar



The information contained on this page was correct at the date of issue. Fitting dimensions are provided as a guide only. Some variation may occur due to manufacturing tolerances. We pursue a policy of continuing improvement in design and performance of our products and so reserve the right to change specifications without prior notice.

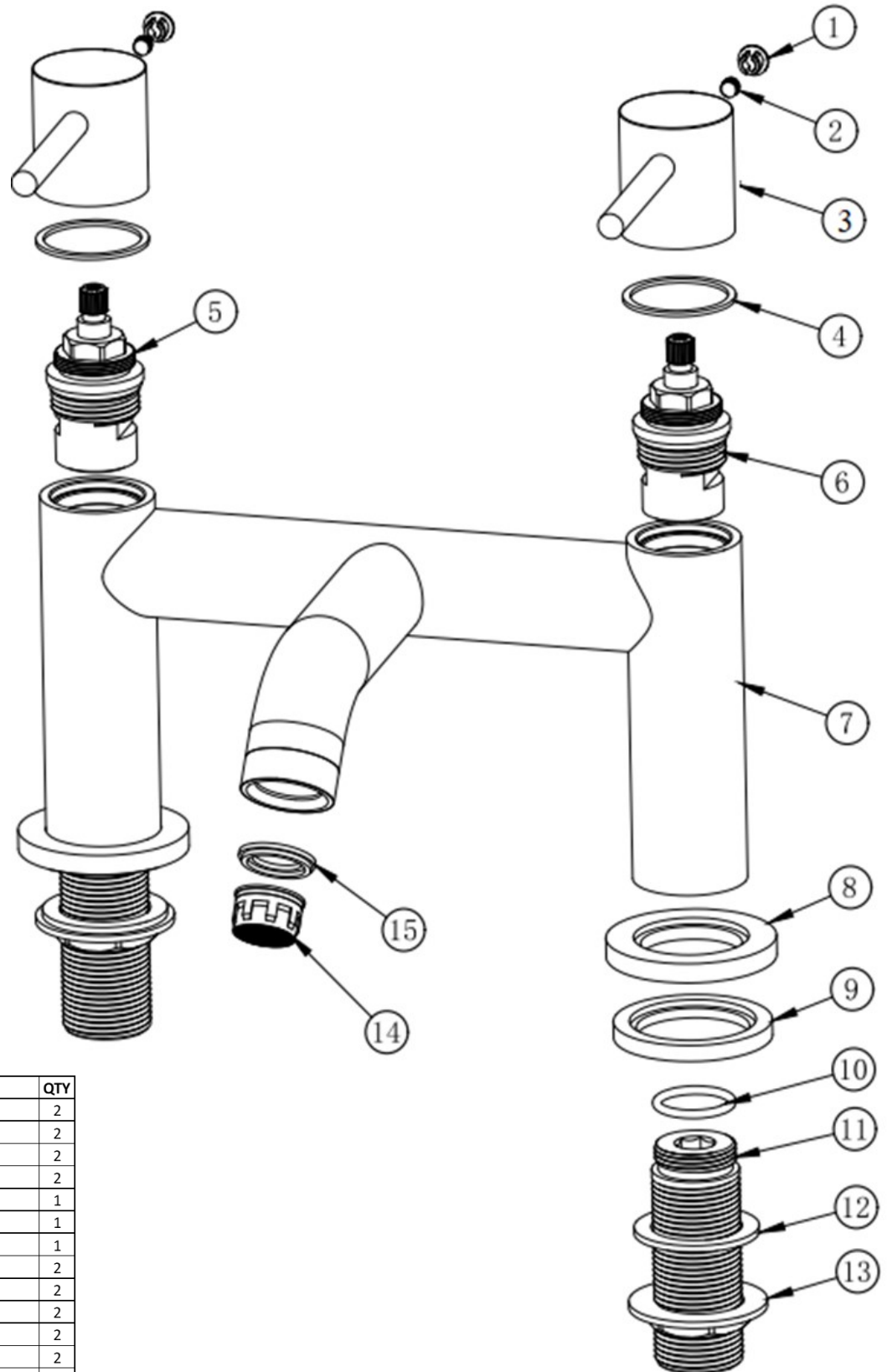
FOR FURTHER ADVICE PLEASE CONTACT :-

SAGITTARIUS LTD UNIT 1 LOWER VICTORIA STREET—CHADDERTON—OLDHAM—OL9 9TU TEL:0616 6202029

EMAIL:TECHNICAL@SAGITTARIUSTAPS.CO.UK

Flow Rates (Litres per minute)

System Pressure	0.1 Bar	0.2 Bar	0.3 Bar	0.5 Bar	1.0 Bar	1.5 Bar	2.0 Bar	3.0 Bar	4.0 Bar	5.0 Bar
	5.8	-	10.0	13.3	19.3	-	27.9	34.5	40.0	58.8



NO.	ITEM	QTY
1	Indice	2
2	Screw	2
3	Handle	2
4	Plastic Washer	2
5	On/Off Cartridge (Hot)	1
6	On/Off Cartridge (Cold)	1
7	Body	1
8	Base Plate	2
9	Washer	2
10	O-Ring	2
11	Fitting Kit part	2
12	Fitting Kit part	2
13	Fitting Kit part	2
14	Filter	1
15	Aerator	1

FOR FURTHER ADVICE PLEASE CONTACT :-

SAGITTARIUS LTD UNIT 1 LOWER VICTORIA STREET—CHADDERTON—OLDHAM—OL9 9TU TEL:0616 6202029

EMAIL:TECHNICAL@SAGITTARIUSTAPS.CO.UK