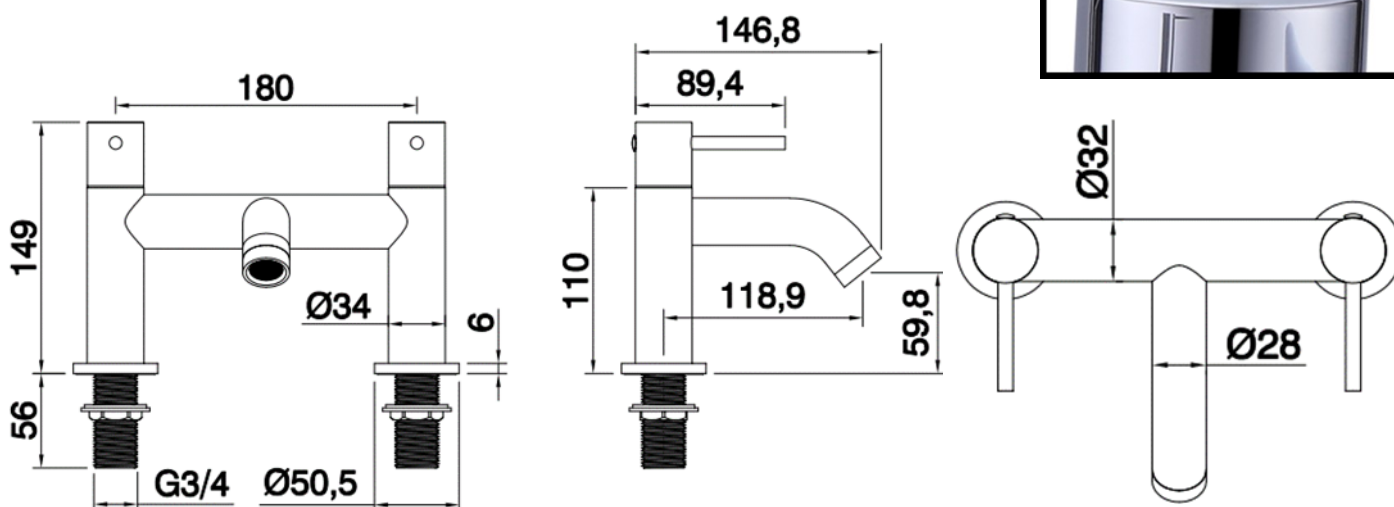
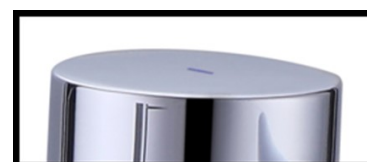
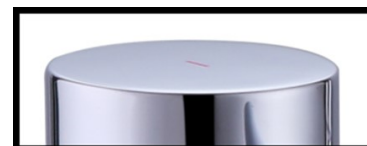


SAGITTARIUS

TAPS & SHOWERING

Construction	Brass Body (CuZn40Pb2), EN CW617N (equivalent to BS CZ122); Zinc-alloy Handles; Brass Base plates
Finishes	Chrome (Ni : 8-12um, Cr : 0.25-0.3um)
Product Type	Contemporary
Water Pressure Tested Between Standards	Min. 0.5 bar, Max. 6.0 bar Complies with BS5412, BS EN200
Aerator	M22 Spout aerator
Cartridge	1/4 Turn 3/4" Ceramic disc valves
Fitting	Brass G ³ / ₄ " BSP tails
Guarantee	10 years against manufacturing faults (excluding serviceable parts)

ERGO LEVER DECK BATH FILLER EL/104/C



The information contained on this page was correct at the date of issue. Fitting dimensions are provided as a guide only. Some variation may occur due to manufacturing tolerances. We pursue a policy of continuing improvement in design and performance of our products and so reserve the right to change specifications without prior notice

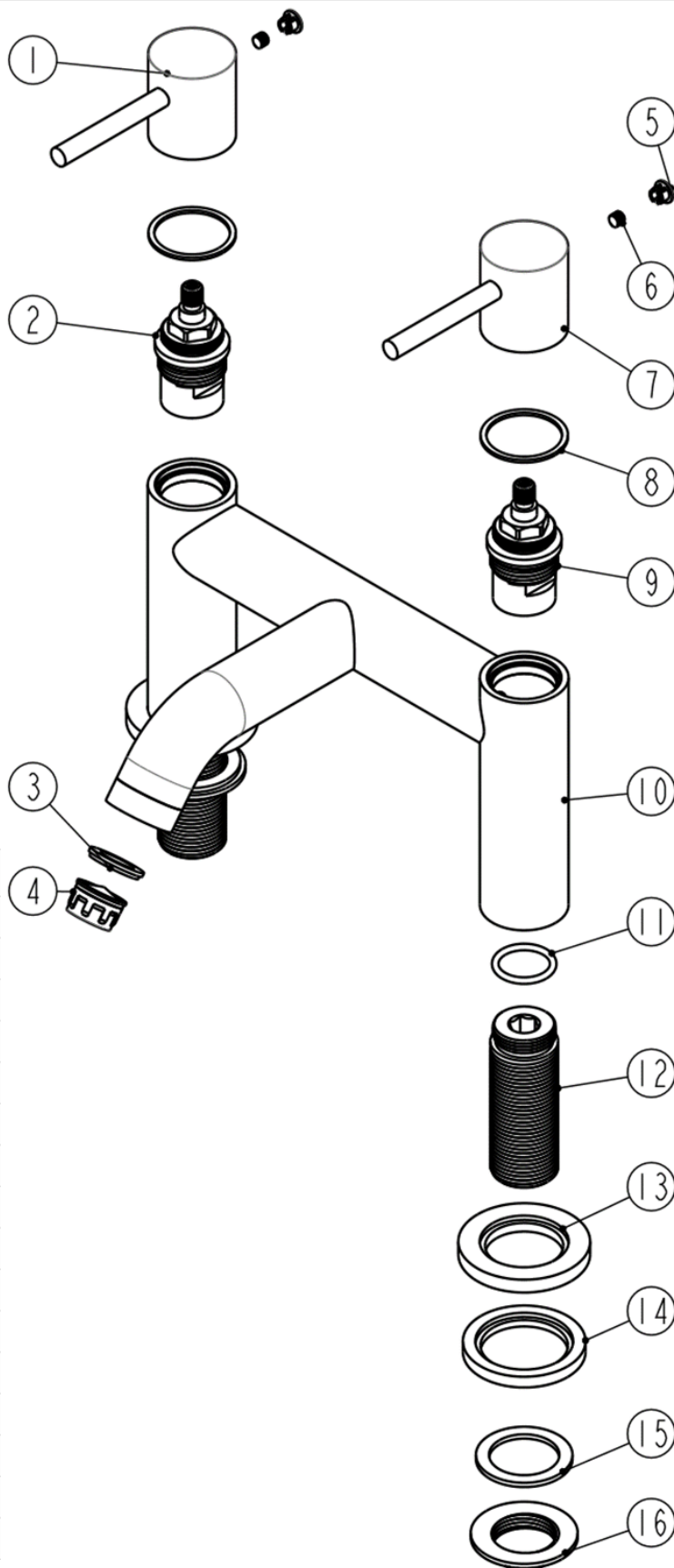
FOR FURTHER ADVICE PLEASE CONTACT :-

SAGITTARIUS LTD UNIT 1 LOWER VICTORIA STREET—CHADDERTON—OLDHAM—OL9 9TU TEL:0616 6202029

EMAIL:TECHNICAL@SAGITTARIUSTAPS.CO.UK

Flow Rates (Litres per minute)

System Pressure	0.1 Bar	0.2 Bar	0.3 Bar	0.5 Bar	1.0 Bar	1.5 Bar	2.0 Bar	3.0 Bar	4.0 Bar	5.0 Bar
	-	-	-	7.4	10.7	13.4	15.6	19.3	-	-



NO.	ITEM	QTY
1	ø34 ZINC-ALLOY HOT HANDLE	1
2	G3/4" HOT CERAMIC DISC CARTRIDGE	1
3	ø22.8*ø15*3 SILICONE WASHER	1
4	ø21*12 M22 PLASTIC AERATOR	1
5	ø6.8 ABS COVER CAP	2
6	M5x5 S/S POINTED GRUB SCREW	2
7	ø34 ZINC-ALLOY COLD HANDLE	1
8	PLASTIC HANDLE WASHER	2
9	G3/4" COLD CERAMIC DISC CARTRIDGE	1
10	BRASS TAP BODY	1
11	ø22*2.5 NBR O-RING	2
12	G3/4*68L BRASS BSP TAIL	2
13	ø50.5*6 BRASS BASE PLATE	2
14	ø47*5 RUBBER WASHER	2
15	ø37*ø27*2 RUBBER WASHER	2
16	G3/4*7L BRASS LOCK NUT	2

FOR FURTHER ADVICE PLEASE CONTACT :-
 SAGITTARIUS LTD UNIT 1 LOWER VICTORIA STREET—CHADDERTON—OLDHAM—OL9 9TU TEL:0616 6202029
 EMAIL:TECHNICAL@SAGITTARIUSTAPS.CO.UK