

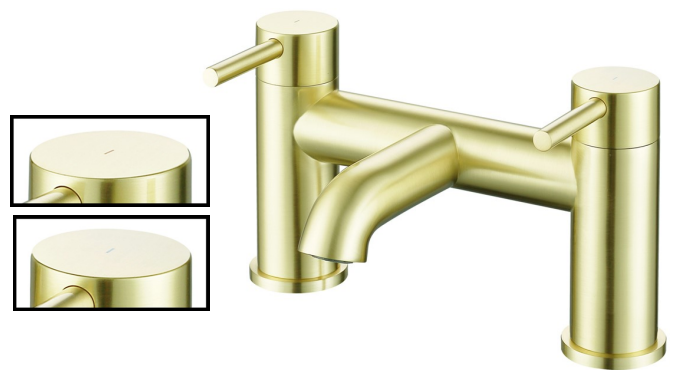
# SAGITTARIUS

## TAPS & SHOWERING

<b>Construction</b>	Brass Body, Zinc-alloy Handles, Brass Base plates
<b>Finishes</b>	Brushed Brass
<b>Product Type</b>	Contemporary
<b>Water Pressure</b>	Min. 0.2 bar, Max. 6.0 bar
<b>Tested Between Standards</b>	Complies with BS5412, BS EN200
<b>Certification</b>	WRAS approved
<b>Aerator</b>	M22 Spout aerator
<b>Cartridge</b>	1/4 Turn 3/4" Ceramic disc valves
<b>Fitting</b>	Brass G $\frac{3}{4}$ " BSP tails
<b>Guarantee</b>	10 years against manufacturing faults (excluding serviceable parts)

### ERGO DECK MOUNTED BATH FILLER BRUSHED BRASS

EL/104/BB



#### Operating Water Pressure



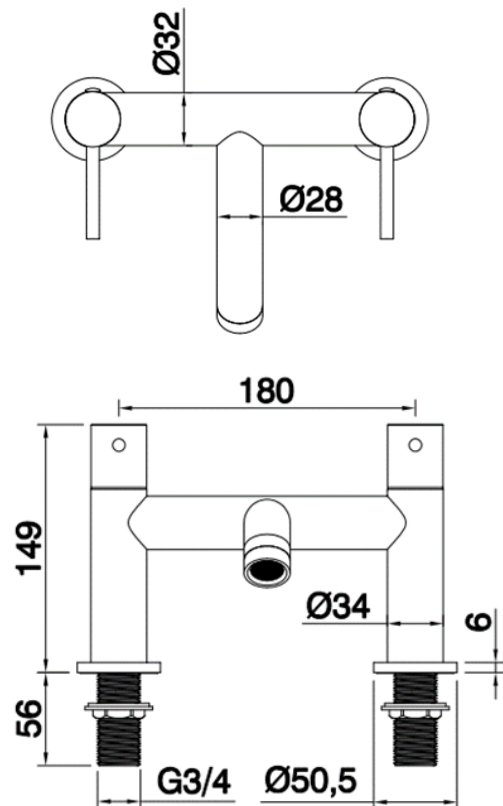
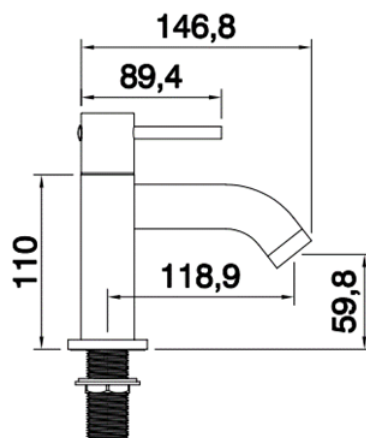
**LOW PRESSURE**  
0.2 - 0.5 bar



**COMBI BOILER**



**HIGH PRESSURE**  
1.2 - 1.5+ bar



The information contained on this page was correct at the date of issue. Fitting dimensions are provided as a guide only. Some variation may occur due to manufacturing tolerances. We pursue a policy of continuing improvement in design and performance of our products and so reserve the right to change specifications without prior notice.

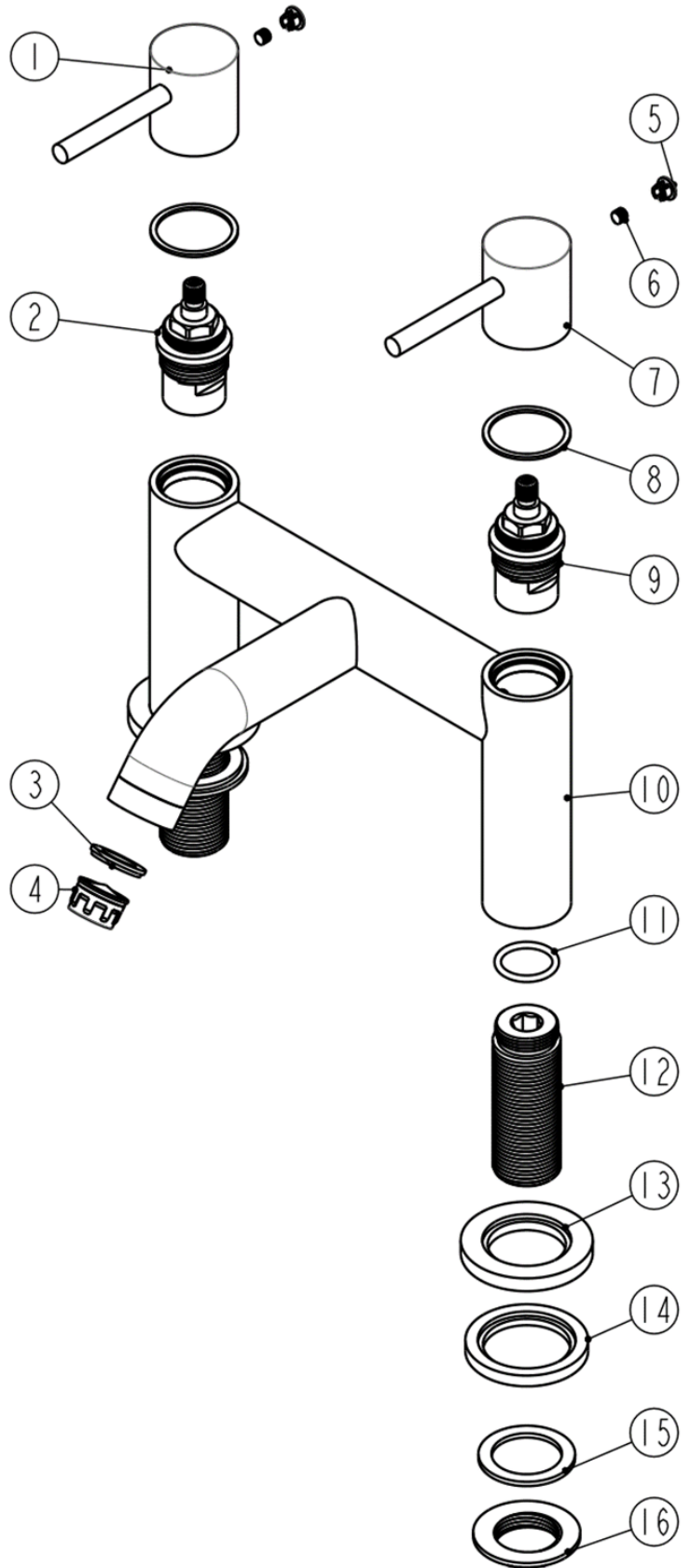
FOR FURTHER ADVICE PLEASE CONTACT :-

SAGITTARIUS LTD UNIT 1 LOWER VICTORIA STREET—CHADDERTON—OLDHAM—OL9 9TU TEL:0616 6202029

EMAIL:TECHNICAL@SAGITTARIUSTAPS.CO.UK

**Flow Rates** (Litres per minute)

System Pressure	0.1 Bar	0.2 Bar	0.3 Bar	0.5 Bar	1.0 Bar	1.5 Bar	2.0 Bar	3.0 Bar	4.0 Bar	5.0 Bar
	-	-	-	7.4	10.7	13.4	15.6	19.3	-	-



NO.	ITEM	QTY
1	ø34 ZINC-ALLOY HOT HANDLE	1
2	G3/4" HOT CERAMIC DISC CARTRIDGE	1
3	ø22.8*ø15*3 SILICONE WASHER	1
4	ø21*12 M22 PLASTIC AERATOR	1
5	ø6.8 ABS COVER CAP	2
6	M5x5 S/S POINTED GRUB SCREW	2
7	ø34 ZINC-ALLOY COLD HANDLE	1
8	PLASTIC HANDLE WASHER	2
9	G3/4" COLD CERAMIC DISC CARTRIDGE	1
10	BRASS TAP BODY	1
11	ø22*2.5 NBR O-RING	2
12	G3/4*68L BRASS BSP TAIL	2
13	ø50.5*6 BRASS BASE PLATE	2
14	ø47*5 RUBBER WASHER	2
15	ø37*ø27*2 RUBBER WASHER	2
16	G3/4*7L BRASS LOCK NUT	2

FOR FURTHER ADVICE PLEASE CONTACT :-

SAGITTARIUS LTD UNIT 1 LOWER VICTORIA STREET—CHADDERTON—OLDHAM—OL9 9TU TEL:0616 6202029

EMAIL:TECHNICAL@SAGITTARIUSTAPS.CO.UK