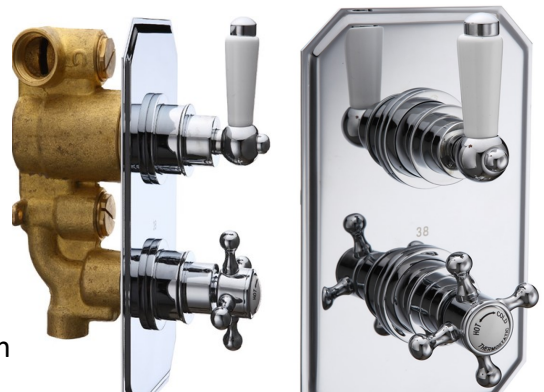


SAGITTARIUS

TAPS & SHOWERING

Construction	Brass Body; Ceramic & Zinc-alloy Handle; Brass Wall Plate
Finishes	Chrome plated
Product Type	Contemporary
Water Pressure Tested Between Standards	Min. 0.2 bar, Max. 6.0 bar
Certification	Complies with BSEN 1111
Cartridge	Manufactured to comply with TMV2 Thermostatic cartridge & Ceramic disc valve
Check valve Fitting	0.5-10 gpm (EN1717) Inlet: Two Brass G3/4" BSP Female thread (Hot & Cold) Outlet: One Brass G1/2" BSP Female thread
Guarantee	10 years against manufacturing faults (excluding serviceable parts)
Additional Information	1. Temperature: Pre-set 38°C, with push button override to 48°C 2. Automatic shut off in the event of hot or cold water supply failure

EDWARDIAN CONCEALED ONE WAY SHOWER VALVE ED/572



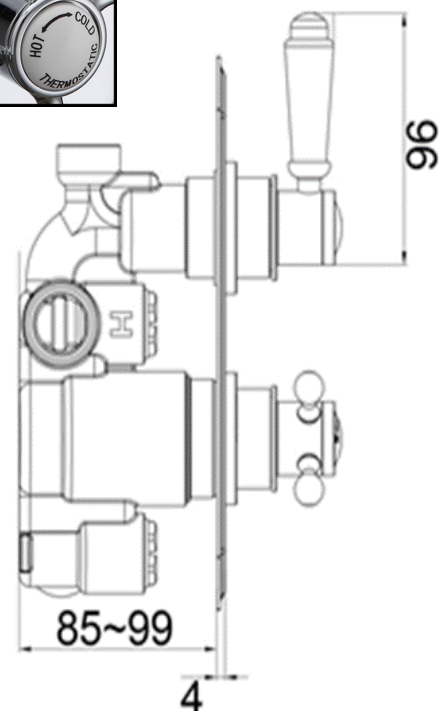
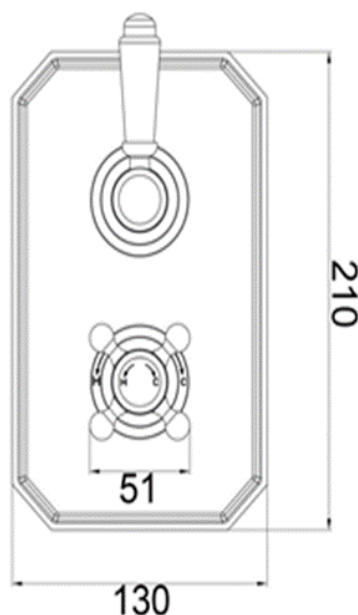
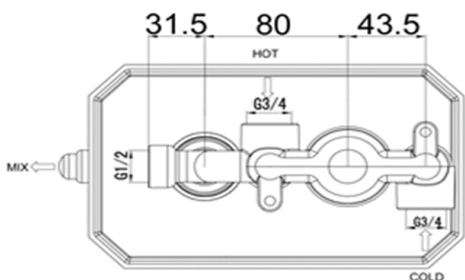
Operational Water Pressure



COMBI BOILER



HIGH PRESSURE
1.2 - 1.5+ bar



The information contained on this page was correct at the date of issue. Fitting dimensions are provided as a guide only. Some variation may occur due to manufacturing tolerances. We pursue a policy of continuing improvement in design and performance of our products and so reserve the right to change specifications without prior notice

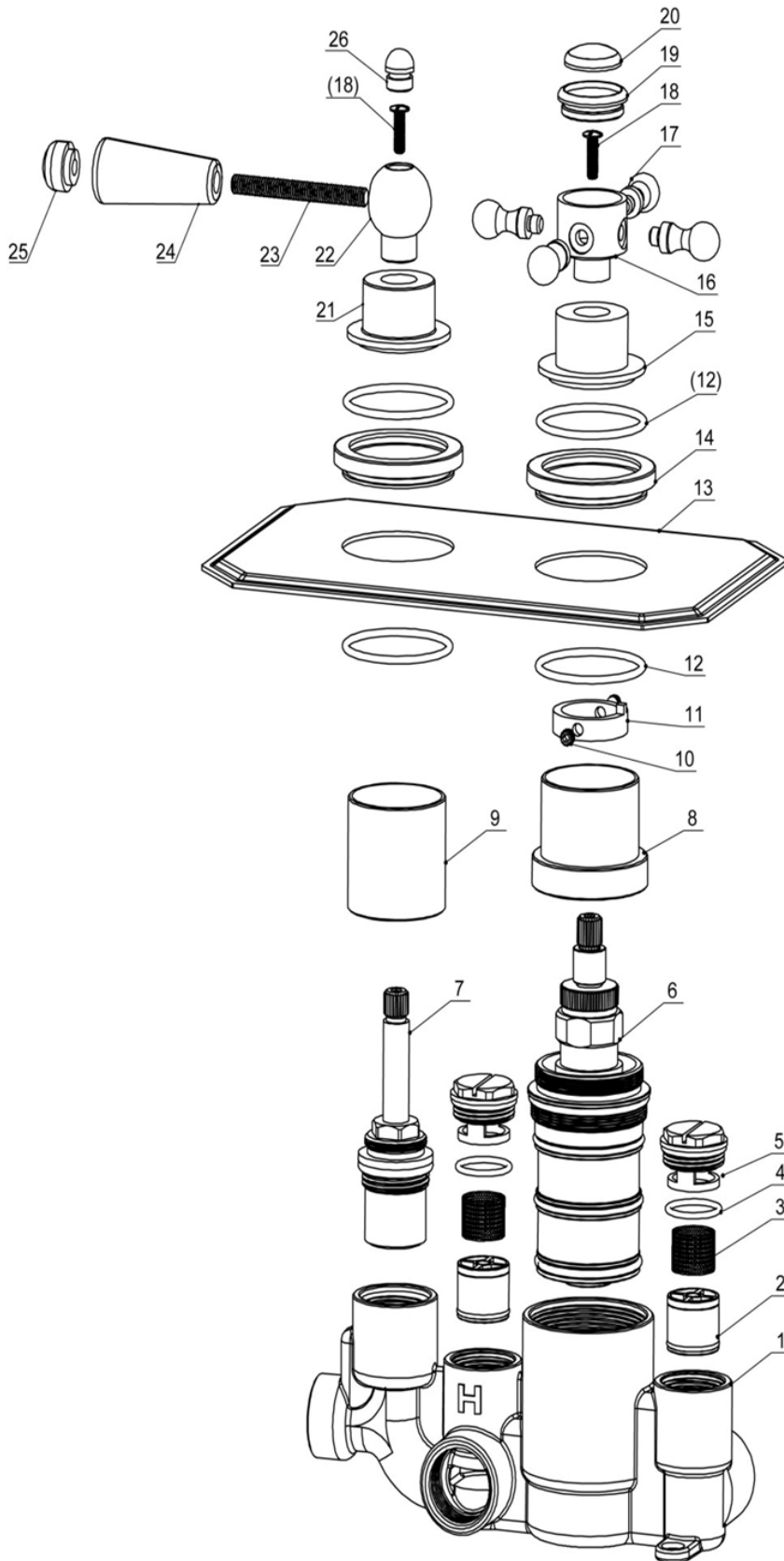
FOR FURTHER ADVICE PLEASE CONTACT :-

SAGITTARIUS LTD UNIT 1 LOWER VICTORIA STREET—CHADDERTON—OLDHAM—OL9 9TU TEL:0616 6202029

EMAIL:TECHNICAL@SAGITTARIUSTAPS.CO.UK

Flow Rates (Litres per minute)

System Pressure	0.1 Bar	0.2 Bar	0.3 Bar	0.5 Bar	1.0 Bar	1.5 Bar	2.0 Bar	3.0 Bar	4.0 Bar	5.0 Bar
	15.1	18.0	-	27.6	40.2	-	55.2	68.4	-	-



26	Cap	1
25	Indice Cap	1
24	Handle Cover	1
23	Handle Bar	1
22	Knob	1
21	Collar	1
20	Indice Cap	1
19	Cap	1
18	Screw	2
17	Lever	4
16	Temperature Control Handle	1
15	Collar	1
14	Cover Plate Inner Ring	2
13	Cover Plate	1
12	O Ringg	4
11	Brass Ring	1
10	Grub Screw	2
9	Flow Control Valve Shroud	1
8	Temperature Housing Shroud	1
7	Flow Control On/Off Cartridge	1
6	Thermostatic Cartridge	1
5	Brass Nut	2
4	O Ring	2
3	Thread	2
2	Filter	2
1	Valve Body	1
Item	DESCRIPTION	QTY

FOR FURTHER ADVICE PLEASE CONTACT :-

SAGITTARIUS LTD UNIT 1 LOWER VICTORIA STREET—CHADDERTON—OLDHAM—OL9 9TU TEL:0616 6202029

EMAIL:TECHNICAL@SAGITTARIUSTAPS.CO.UK