

SAGITTARIUS

TAPS & SHOWERING

Construction	Brass Body, Pillar and Spout, Brass Handles with Ceramic indices
Finishes	Chrome (Ni : 8-12um, Cr : 0.25-0.3um)
Product Type	Traditional
Water Pressure	Min. 0.1 bar, Max. 6.0 bar
Tested Between	
Standards	Complies with BS5412, BS EN200
Cartridge	Full turn G3/4" Compression valves
Aerator	Laminar spout
Fitting	Brass G3/4" BSP Tails
Guarantee	10 years against manufacturing faults (excluding serviceable parts)

EDWARDIAN BATH FILLER ED/164



Operational Water Pressure



LOW PRESSURE

0.2-0.5 bar

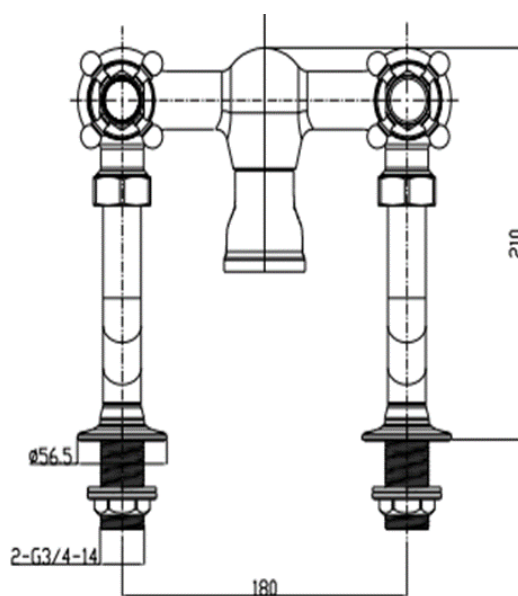
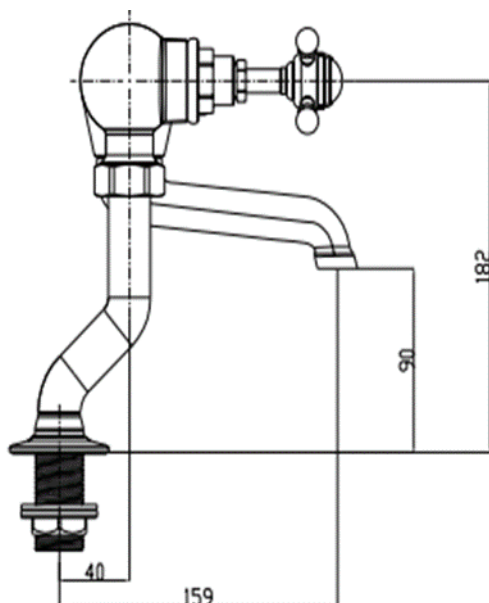


COMBI BOILER



HIGH PRESSURE

1.2- 1.5+ bar



The information contained on this page was correct at the date of issue. Fitting dimensions are provided as a guide only. Some variation may occur due to manufacturing tolerances. We pursue a policy of continuing improvement in design and performance of our products and so reserve the right to change specifications without prior notice

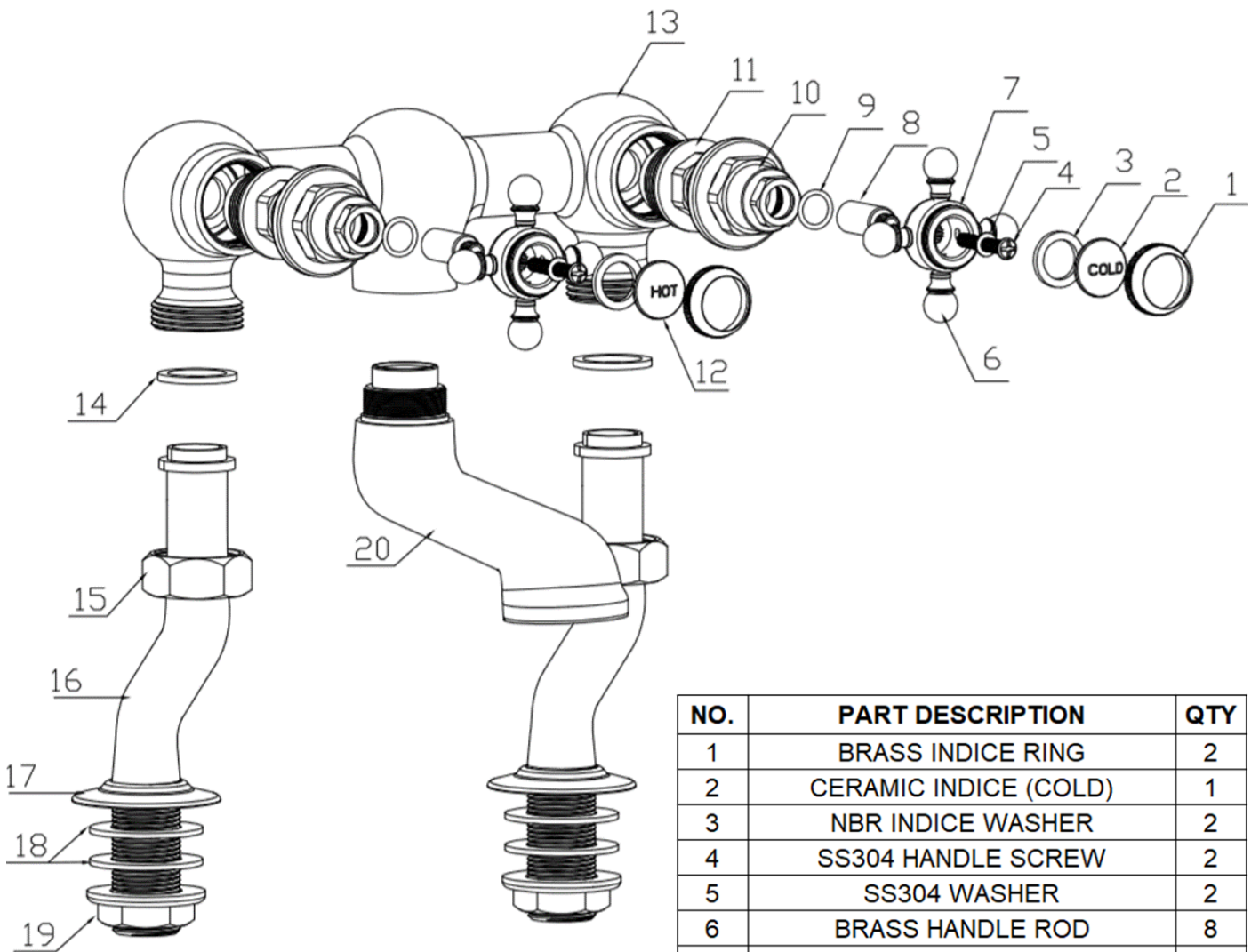
FOR FURTHER ADVICE PLEASE CONTACT :-

SAGITTARIUS LTD UNIT 1 LOWER VICTORIA STREET—CHADDERTON—OLDHAM—OL9 9TU TEL:0616 6202029

EMAIL:TECHNICAL@SAGITTARIUSTAPS.CO.UK

Flow Rates (Litres per minute)

System Pressure	0.1 Bar	0.2 Bar	0.3 Bar	0.5 Bar	1.0 Bar	1.5 Bar	2.0 Bar	3.0 Bar	4.0 Bar	5.0 Bar
	16.1	21.0	-	32.4	47.4	-	64.8	78.6	-	-



NO.	PART DESCRIPTION	QTY
1	BRASS INDICE RING	2
2	CERAMIC INDICE (COLD)	1
3	NBR INDICE WASHER	2
4	SS304 HANDLE SCREW	2
5	SS304 WASHER	2
6	BRASS HANDLE ROD	8
7	BRASS CROSS HANDLE	2
8	BRASS EXTENTION CONNECTOR	2
9	NBR CONNECTOR O-RING	2
10	BRASS CARTRIDGE NUT	2
11	BRASS COMPRESSION VALVE	2
12	CERAMIC INDICE (HOT)	1
13	BRASS TAP BODY	1
14	NBR PILLAR WASHER	2
15	BRASS LOCK NUT	2
16	BRASS INLET PILLAR	2
17	BRASS BASE PLATE	2
18	NBR BSP TAIL WASHER	4
19	POM LOCK NUT	2
20	BRASS SPOUT	1

FOR FURTHER ADVICE PLEASE CONTACT :-

SAGITTARIUS LTD UNIT 1 LOWER VICTORIA STREET—CHADDERTON—OLDHAM—OL9 9TU TEL:0616 6202029

EMAIL:TECHNICAL@SAGITTARIUSTAPS.CO.UK