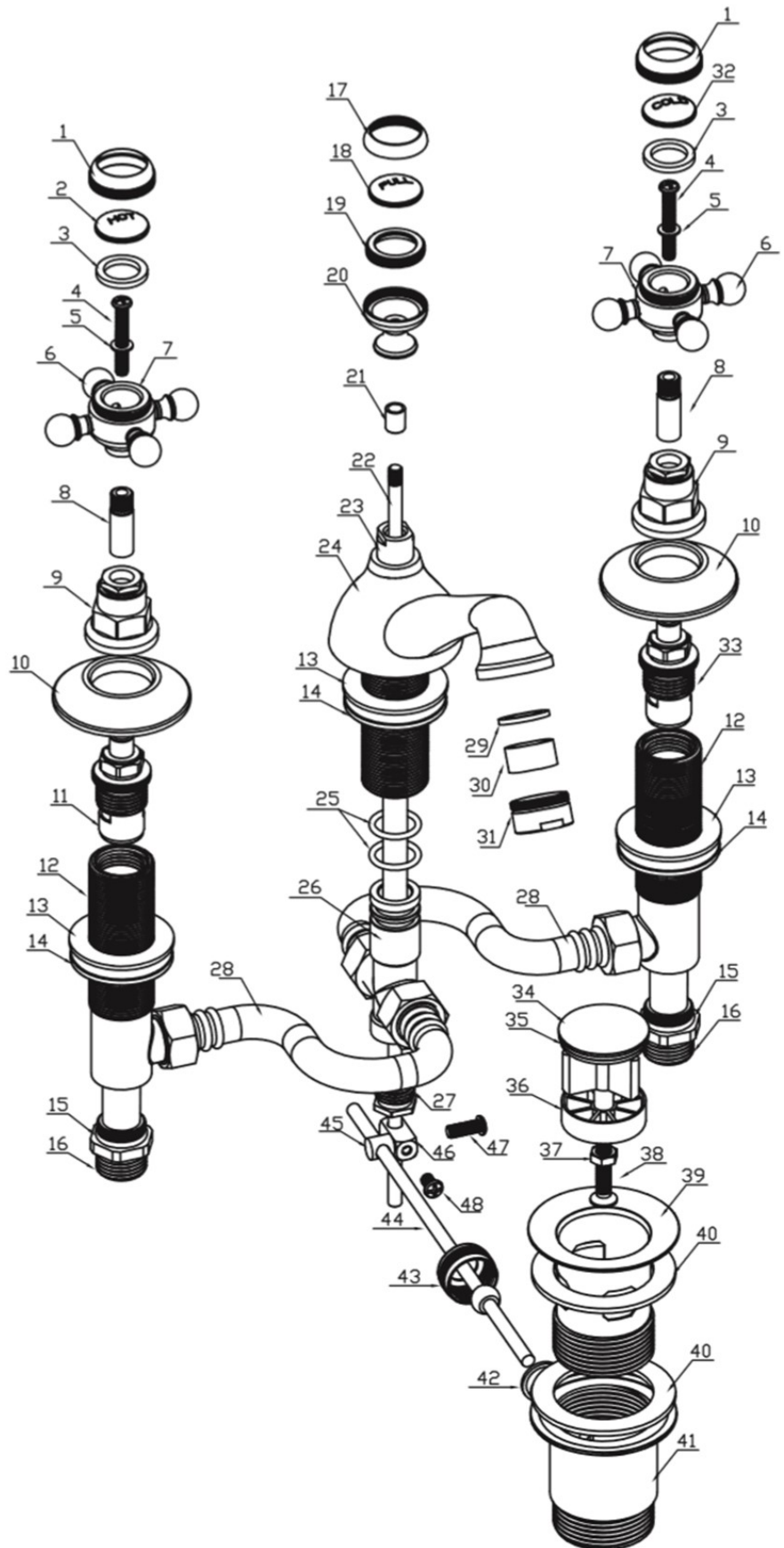


Flow Rates (Litres per minute)

System Pressure	0.1 Bar	0.2 Bar	0.3 Bar	0.5 Bar	1.0 Bar	1.5 Bar	2.0 Bar	3.0 Bar	4.0 Bar	5.0 Bar
	-	8.5	-	13.4	19.5	-	28.1	34.3	-	-

48	ss screw	1
47	ss screw	1
46	square firm core	1
45	active core	1
44	short pull rod	1
43	lock tight cap	1
42	plastic gasket	1
41	waste Tee joint	1
40	rubber gasket	2
39	waste flange	1
38	screw	1
37	Nut	1
36	plastic gasket	1
35	o-ring	1
34	pull cap	1
33	fast open cartridge blue	1
32	ceramic ship	1
31	outlet casting	1
30	water separator	1
29	rubber gasket	1
28	ss weave hose	2
27	lock tight cap	1
26	centerpart	1
25	o-ring	2
24	Boay	1
23	brass tube joint	1
22	pull rod	1
21	plastic sleeve	1
20	pull connector	1
19	connector	1
18	ceramic chip	1
17	decorative cover	1
16	cartridge rod	2
15	o-ring	2
14	lock tight cap	3
13	rubber gasket	3
12	cartridge body	2
11	fast open cartridge red	1
10	base	2
9	press cap	2
8	XL rod	2
7	handle base	2
6	handle joint	8
5	gasket	2
4	screw	2
3	rubber gasket	2
2	ceramic ship	1
1	seal cover	2
Number	product name	amount



FOR FURTHER ADVICE PLEASE CONTACT :-

SAGITTARIUS LTD UNIT 1 LOWER VICTORIA STREET—CHADDERTON—OLDHAM—OL9 9TU TEL:0616 6202029

EMAIL:TECHNICAL@SAGITTARIUSTAPS.CO.UK