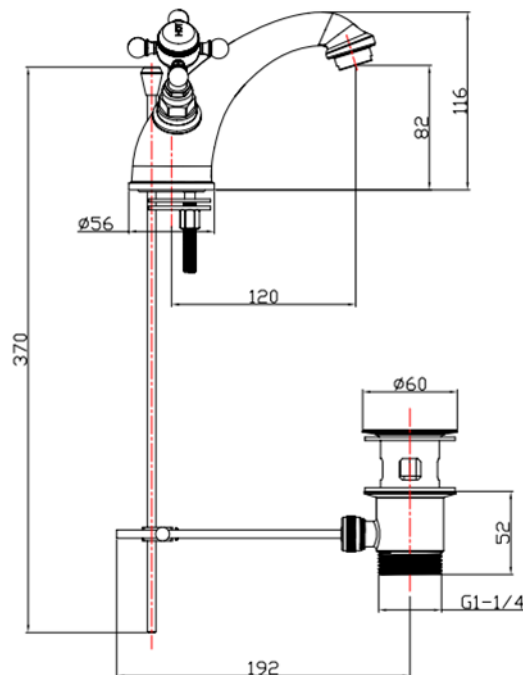
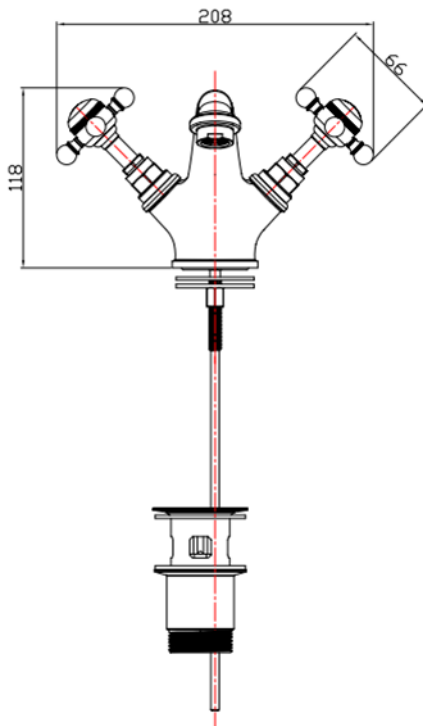


# SAGITTARIUS

## TAPS & SHOWERING

|                                      |  |
|--------------------------------------|--|
| <b>Construction</b>                  | Brass Body, Handle: Zinc Alloy & ceramic indices   |
| <b>Finishes</b>                      | Chrome : Ni : 8-12um, Cr : 0.25-0.3um  |
| <b>Product Type</b>                  | Traditional  |
| <b>Water Pressure Tested Between</b> | Min. 0.1 bar, Max. 6.0 bar   |
| <b>Standards</b>                     | Complies with BS6920, BS EN200   |
| <b>Cartridge</b>                     | Full turn G1/2" Compression valves   |
| <b>Aerator</b>                       | Neoperl Aerator  |
| <b>Fitting</b>                       | UK: M10 x 350mm 1/2" BSP Female Flexi Tails<br>EU: M10 x 350mm 3/8" BSP Female Flexi Tails |
| <b>Guarantee</b>                     | 10 years against manufacturing faults (excluding serviceable parts)                        |
| <b>Additional Information</b>        | Supplied with G1 1/4" Pop-up Waste (UK only)   |

### EDWARDIAN DELUXE MONOBLOC BASIN MIXER ED/106/C

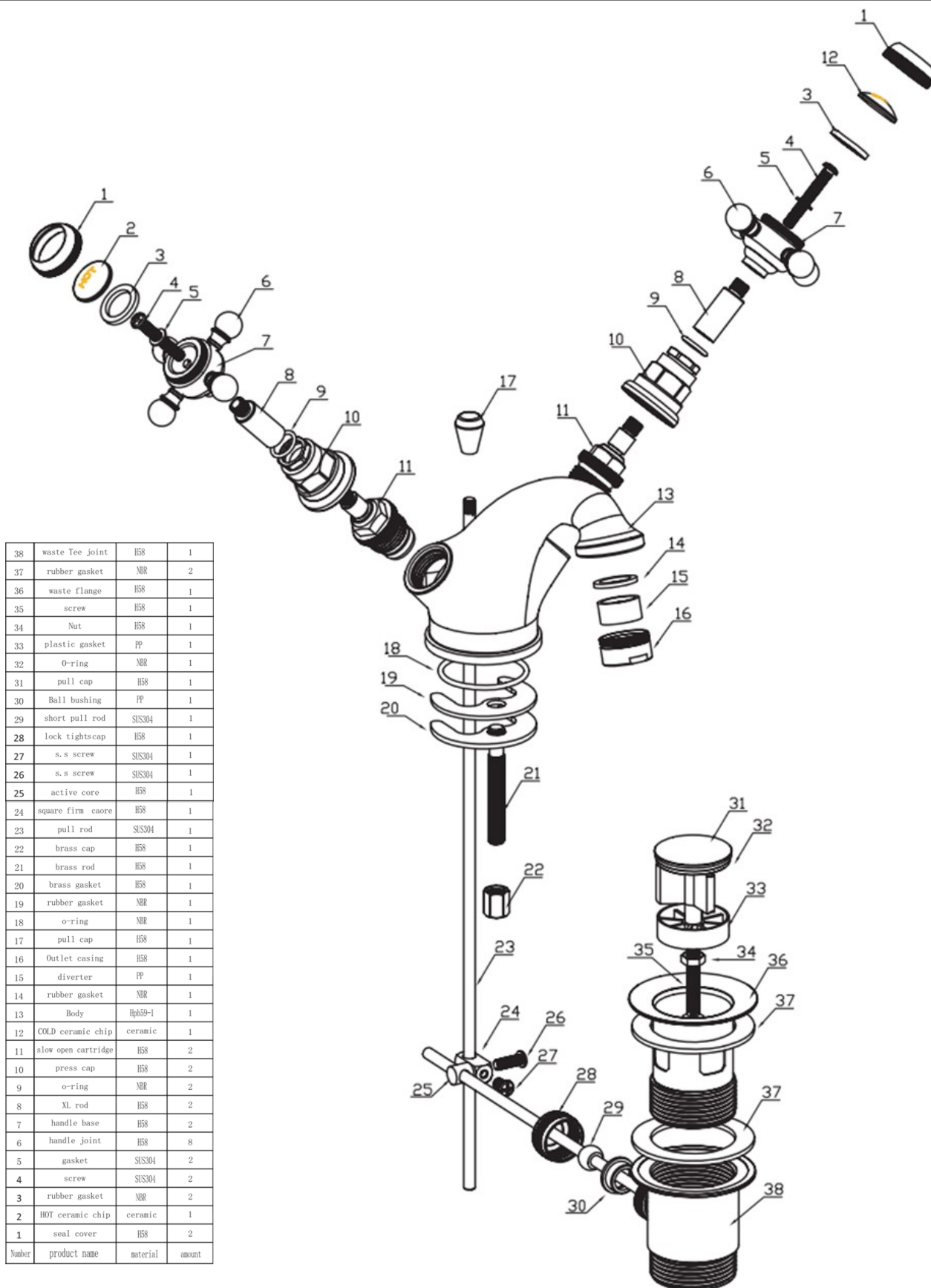


The information contained on this page was correct at the date of issue. Fitting dimensions are provided as a guide only. Some variation may occur due to manufacturing tolerances. We pursue a policy of continuing improvement in design and performance of our products and so reserve the right to change specifications without prior notice

FOR FURTHER ADVICE PLEASE CONTACT :-  
SAGITTARIUS LTD UNIT 1 LOWER VICTORIA STREET—CHADDERTON—OLDHAM—OL9 9TU TEL:0616 6202029  
EMAIL:TECHNICAL@SAGITTARIUSTAPS.CO.UK

**Flow Rates (Litres per minute)**

| System Pressure | 0.1 Bar | 0.2 Bar | 0.3 Bar | 0.5 Bar | 1.0 Bar | 1.5 Bar | 2.0 Bar | 3.0 Bar | 4.0 Bar | 5.0 Bar |
|-----------------|---------|---------|---------|---------|---------|---------|---------|---------|---------|---------|
|                 | 5.0     | 9.0     | -       | 14.4    | 22.8    | -       | 31.8    | 39.6    | -       | -       |



FOR FURTHER ADVICE PLEASE CONTACT :-  
 SAGITTARIUS LTD UNIT 1 LOWER VICTORIA STREET—CHADDERTON—OLDHAM—OL9 9TU TEL:0616 6202029  
 EMAIL:TECHNICAL@SAGITTARIUSTAPS.CO.UK