

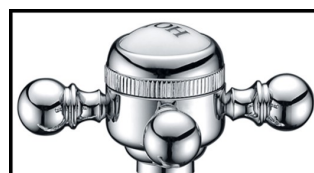
# SAGITTARIUS

## TAPS & SHOWERING

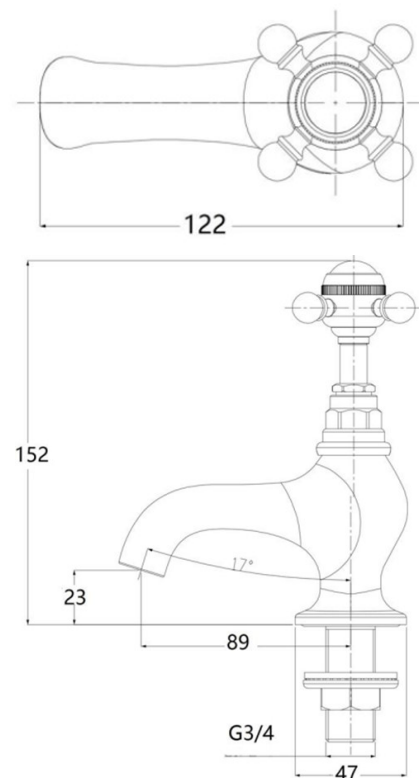
### EDWARDIAN BATH TAPS

ED/102

<b>Construction</b>	Brass Body, Zinc-alloy Handles with Ceramic indices
<b>Finishes</b>	Chrome
<b>Product Type</b>	Traditional
<b>Water Pressure</b>	Min. 0.2 bar, Max. 6.0 bar
<b>Tested Between</b>	
<b>Standards</b>	Complies with BS5412, BS EN200
<b>Cartridge</b>	Full turn G1/2" Compression valves
<b>Aerator</b>	Laminar spout
<b>Fitting</b>	Brass G3/4" BSP Tails
<b>Guarantee</b>	10 years against manufacturing faults (excluding serviceable parts)



### Operational Water Pressure



The information contained on this page was correct at the date of issue. Fitting dimensions are provided as a guide only. Some variation may occur due to manufacturing tolerances. We pursue a policy of continuing improvement in design and performance of our products and so reserve the right to change specifications without prior notice

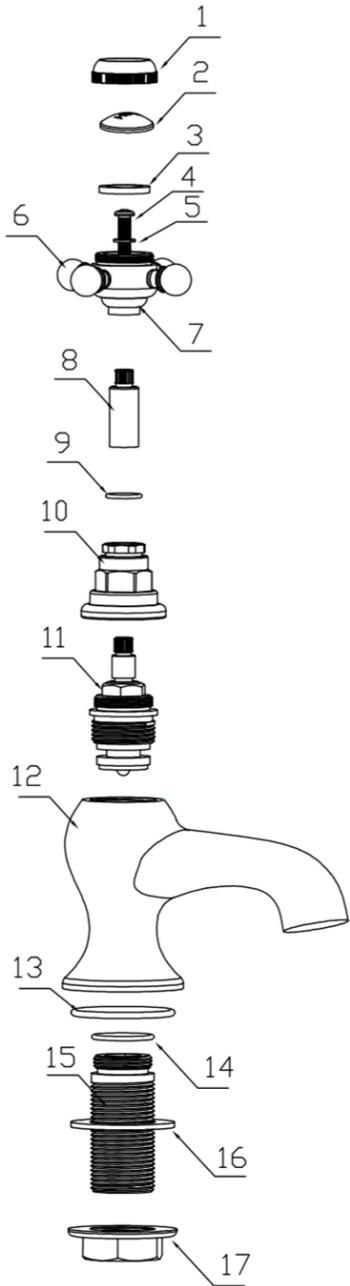
FOR FURTHER ADVICE PLEASE CONTACT :-

SAGITTARIUS LTD UNIT 1 LOWER VICTORIA STREET—CHADDERTON—OLDHAM—OL9 9TU TEL:0616 6202029

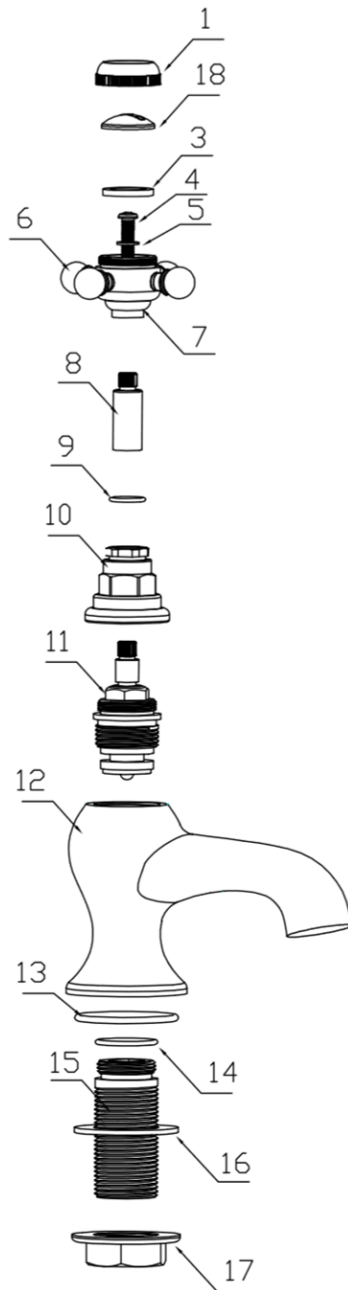
EMAIL:TECHNICAL@SAGITTARIUSTAPS.CO.UK

**Flow Rates** (Litres per minute)

System Pressure	0.1 Bar	0.2 Bar	0.3 Bar	0.5 Bar	1.0 Bar	1.5 Bar	2.0 Bar	3.0 Bar	4.0 Bar	5.0 Bar
	7.5	12.6	-	20.4	30.0	-	40.8	48.0	-	-



9	O-RING	2	18	COLD INDICE	1
8	STEM	2	17	BACK NUT	2
7	HANDLE	2	16	WASHER	2
6	HANDLE LEVER	2	15	G3/4 BSP TAIL	2
5	WASHER	2	14	O-RING	2
4	SCREW	2	13	O-RING	2
3	WASHER	2	12	BODY	1
2	HOT INDICE	1	11	CARTRIDGE	2
1	CAP	2	10	COVER	2
No.	DESCRIPTION	QTY	No.	DESCRIPTION	QTY



FOR FURTHER ADVICE PLEASE CONTACT :-

SAGITTARIUS LTD UNIT 1 LOWER VICTORIA STREET—CHADDERTON—OLDHAM—OL9 9TU TEL:0616 6202029

EMAIL:TECHNICAL@SAGITTARIUSTAPS.CO.UK