

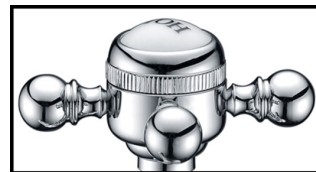
SAGITTARIUS

TAPS & SHOWERING

EDWARDIAN BASIN TAPS

ED/101

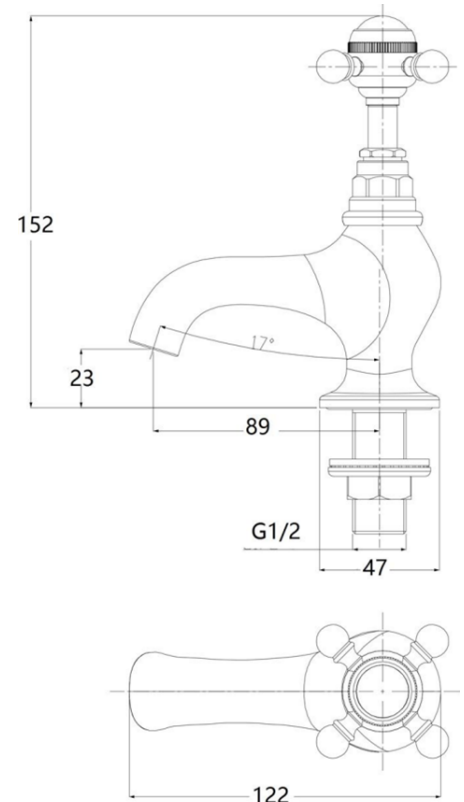
Construction	Brass Body, Zinc-alloy Handles with Ceramic indices
Finishes	Chrome
Product Type	Traditional
Water Pressure	Min. 0.1 bar, Max. 6.0 bar
Tested Between	
Standards	Complies with BS5412, BS EN200
Cartridge	Full turn G1/2" Compression valves
Aerator	Laminar spout
Fitting	Brass G1/2" BSP Tails 10 years against manufacturing faults (excluding serviceable parts)
Guarantee	
Operational Water Pressure	



COMBI BOILER
1.2 - 1.5+ bar



HIGH PRESSURE
1.2 - 1.5+ bar



The information contained on this page was correct at the date of issue. Fitting dimensions are provided as a guide only. Some variation may occur due to manufacturing tolerances. We pursue a policy of continuing improvement in design and performance of our products and so reserve the right to change specifications without prior notice

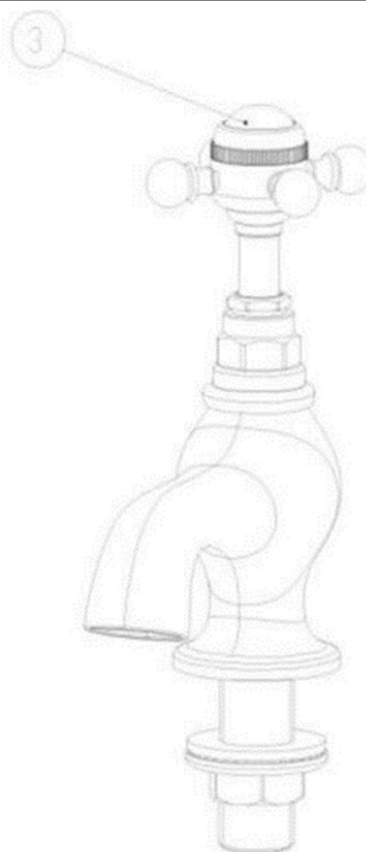
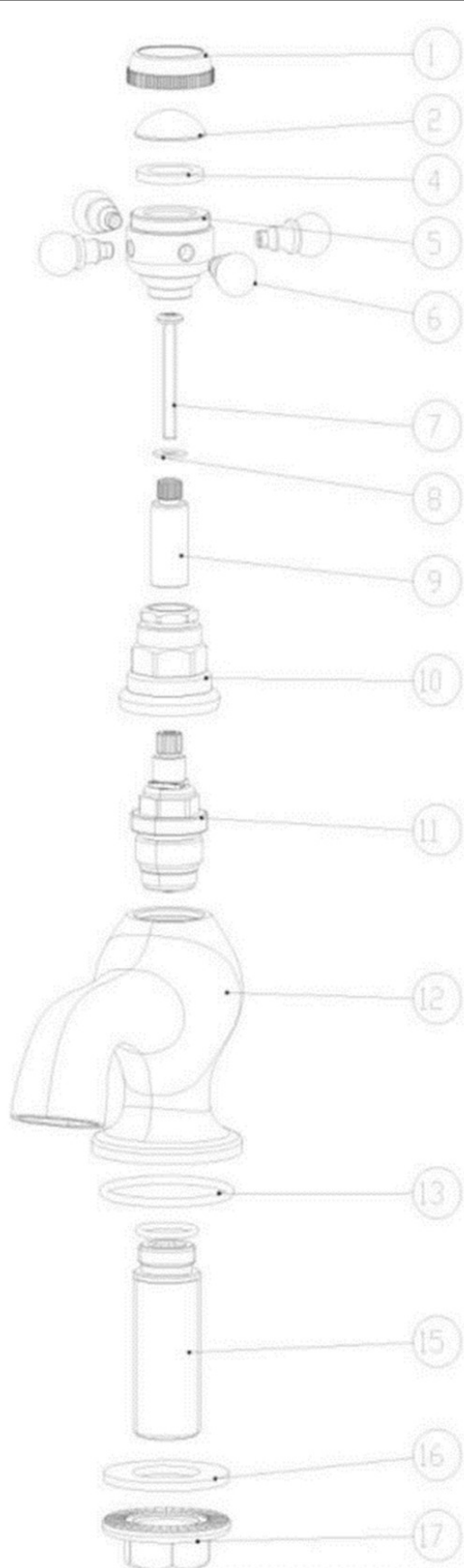
FOR FURTHER ADVICE PLEASE CONTACT :-

SAGITTARIUS LTD UNIT 1 LOWER VICTORIA STREET—CHADDERTON—OLDHAM—OL9 9TU TEL:0616 6202029

EMAIL:TECHNICAL@SAGITTARIUSTAPS.CO.UK

Flow Rates (Litres per minute)

System Pressure	0.1 Bar	0.2 Bar	0.3 Bar	0.5 Bar	1.0 Bar	1.5 Bar	2.0 Bar	3.0 Bar	4.0 Bar	5.0 Bar
	7.0	12.6	-	19.8	30.0	-	40.2	47.4	-	-



17	BACKNUT (G1/2)	2
16	WASHER	2
15	G1/2 BSP TAIL	2
14	O-RING	2
13	O-RING	2
12	BODY	2
11	CARTRIDGE	2
10	COVER	2
9	STEM	2
8	METAL WASHER	2
7	SCREW	2
6	HANDLE LEVER	8
5	HANDLE	2
4	WASHER	2
3	INDICE (HOT)	1
2	INDICE (COLD)	1
1	CAP	2
NO	NAME	QTY

FOR FURTHER ADVICE PLEASE CONTACT :-

SAGITTARIUS LTD UNIT 1 LOWER VICTORIA STREET—CHADDERTON—OLDHAM—OL9 9TU TEL:0616 6202029

EMAIL:TECHNICAL@SAGITTARIUSTAPS.CO.UK