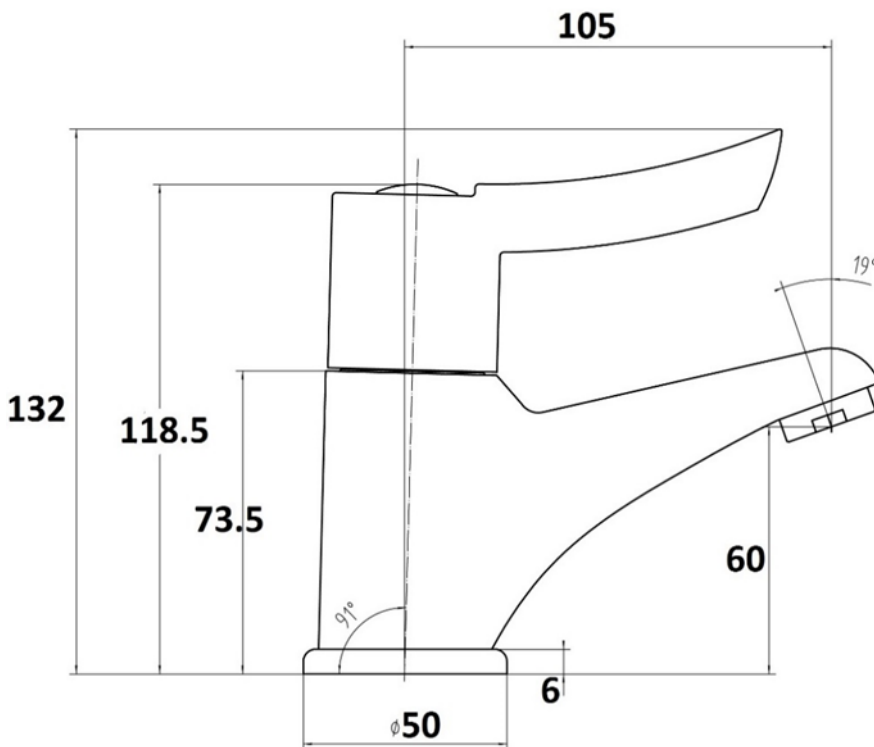


SAGITTARIUS

TAPS & SHOWERING

Construction	Brass Body Zinc alloy Handle
Finishes	Chrome plated to BS EN 248
Product Type	Contemporary
Water Pressure Tested Between Standards	Min. 0.2 bar, Max. 6.0 bar Conforms to HTM64(2006), HTM04 and DocM.
Cartridge	SEDAL Squential Cartridge
Aerator	Aerator spout
Fitting	M10 x 350mm Flexi
Guarantee	10 years against manufacturing faults (excluding serviceable parts).
Additional Information	Max temperature 45°C

**CONTRACT SEQUENTIAL
BASIN MIXER
CO/167/C**



The information contained on this page was correct at the date of issue. Fitting dimensions are provided as a guide only. Some variation may occur due to manufacturing tolerances. We pursue a policy of continuing improvement in design and performance of our products and so reserve the right to change specifications without prior notice

FOR FURTHER ADVICE PLEASE CONTACT :-

SAGITTARIUS LTD UNIT 1 LOWER VICTORIA STREET—CHADDERTON—OLDHAM—OL9 9TU TEL:0616 6202029

EMAIL:TECHNICAL@SAGITTARIUSTAPS.CO.UK

Flow Rates (Litres per minute)

System Pressure	0.1 Bar	0.2 Bar	0.3 Bar	0.5 Bar	1.0 Bar	1.5 Bar	2.0 Bar	3.0 Bar	4.0 Bar	5.0 Bar
	-	3.8		5.8	8.5	9.8	11.6	15.0	-	-

No.	Description	Qty.
1	Cap	1
2	Screw	1
3	Handle	1
4	Washer	1
5	Cartridge Nut	1
6	Cartridge	1
7	Body	1
8	Base Plate	1
9	O-ring	1
10	Fixing kits	1
11	Flexi	2
12	O-ring	1
13	Aerator	1
14	Aerator Housing	1

