

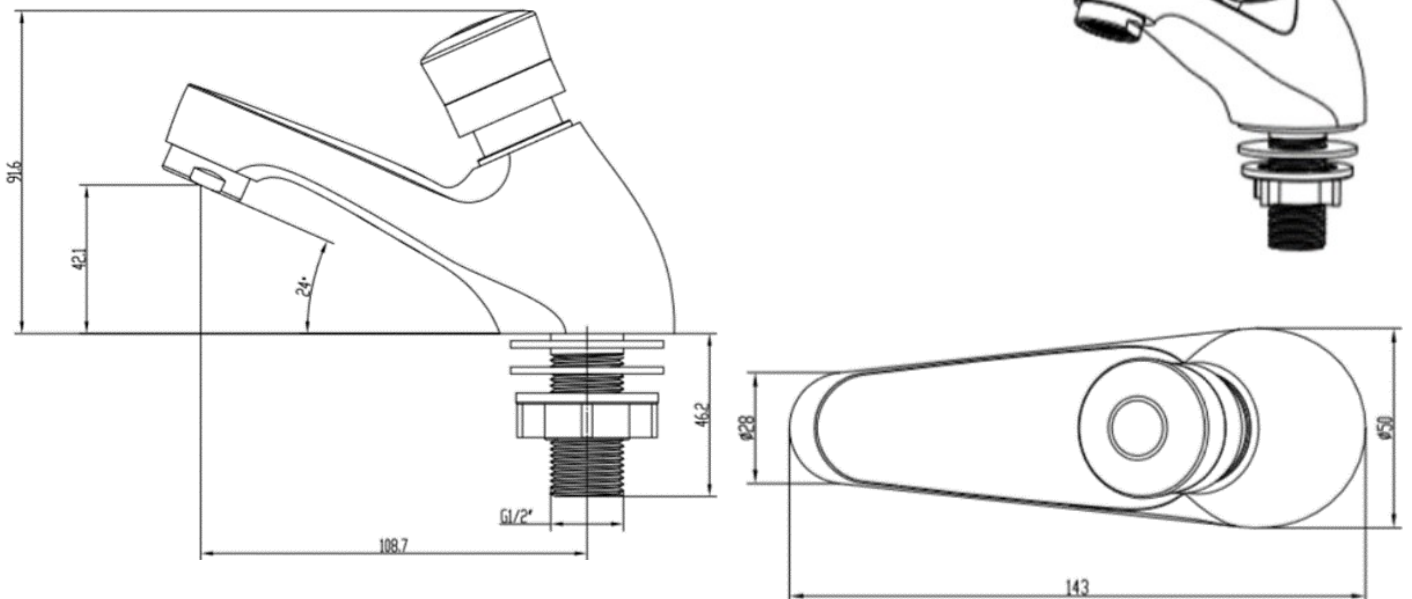
SAGITTARIUS

TAPS & SHOWERING

Construction	Brass Body (HPb59-1)
Finishes	Zinc-alloy Handles
Product Type	Chrome plated to BS EN 248
Water Pressure Tested Between Standards	Contemporary
Cartridge	Min. 1.0 bar, Max. 6.0 bar
Aerator Fitting	Complies with BS5412, BS EN200
Guarantee	Time adjustable Non concussive valves
Additional Information	M24*1 POM Spout aerator
	Brass G1/2" BSP tails
	1 years against manufacturing faults (excluding serviceable parts)
	G1/2" POM Plastic Lock nuts

CONTRACT NON CONCUSSIVE BASIN TAPS

CO/148



The information contained on this page was correct at the date of issue. Fitting dimensions are provided as a guide only. Some variation may occur due to manufacturing tolerances. We pursue a policy of continuing improvement in design and performance of our products and so reserve the right to change specifications without prior notice

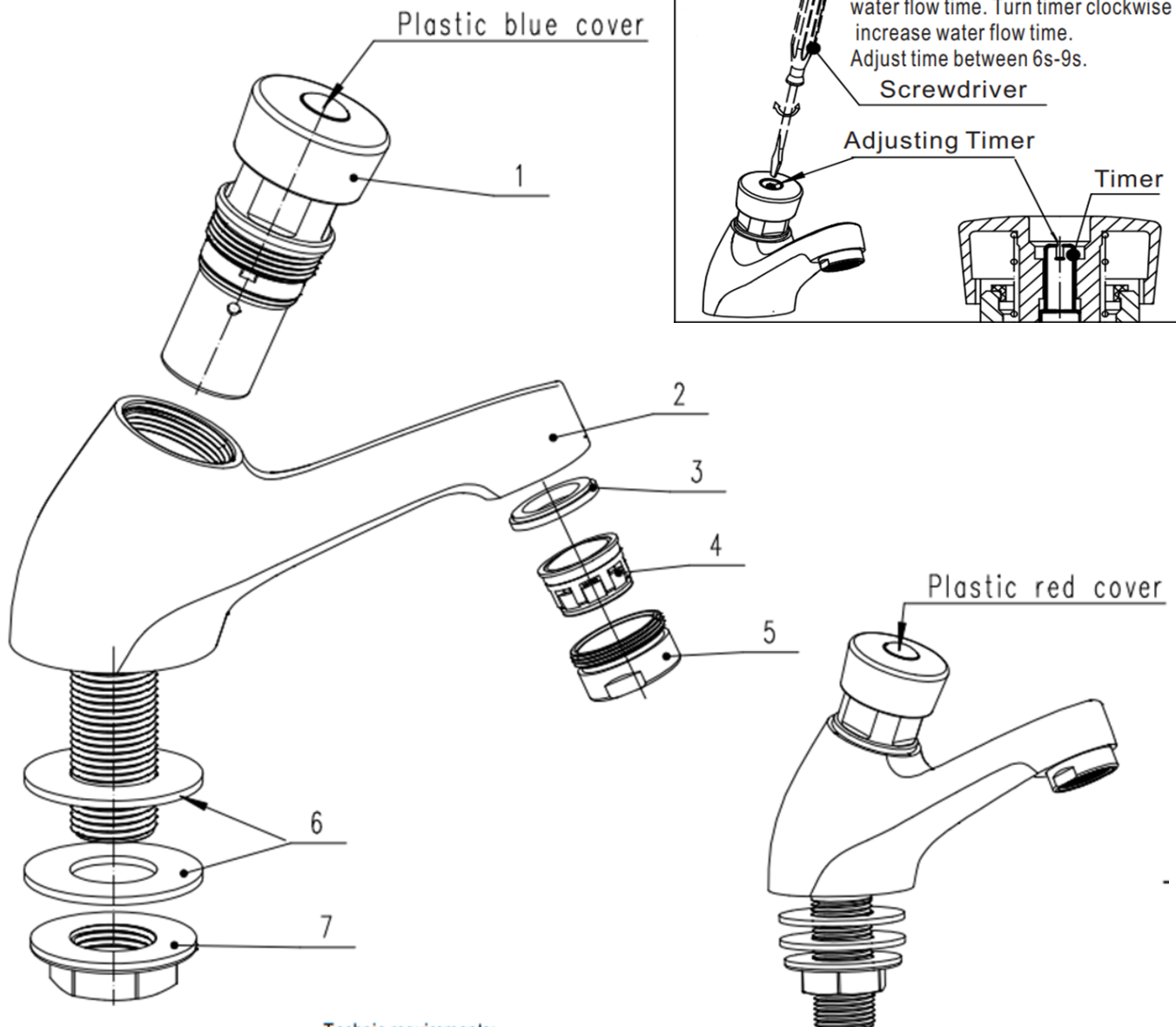
FOR FURTHER ADVICE PLEASE CONTACT :-

SAGITTARIUS LTD UNIT 1 LOWER VICTORIA STREET—CHADDERTON—OLDHAM—OL9 9TU TEL:0616 6202029

EMAIL:TECHNICAL@SAGITTARIUSTAPS.CO.UK

Flow Rates (Litres per minute)

System Pressure	0.1 Bar	0.2 Bar	0.3 Bar	0.5 Bar	1.0 Bar	1.5 Bar	2.0 Bar	3.0 Bar	4.0 Bar	5.0 Bar
	-	-	-	2.3	3.2	-	4.7	5.9	6.8	7.6



Technic requirements:

1. a pair of products in a paper box

7	LJM043	G1/2 plastic nut	1	POM		Black
6	XDP050	φ43*φ21*2 washer	2	NBR		Black
5	SZ0052	M24X1 outlet	1	HPb59-1		Polishing Chrome
4	FSG015	M24x1 bubbler	1	POM		Gray
3	XDP071	Rubber washer	1	NBR		Black
2	LT0051	G1/2 tap body	1	HPb59-1		Polishing Chrome
1	TJ001T	Time adjustable Cartridge	1	Assembly part		Self-made

FOR FURTHER ADVICE PLEASE CONTACT :-

SAGITTARIUS LTD UNIT 1 LOWER VICTORIA STREET—CHADDERTON—OLDHAM—OL9 9TU TEL:0616 6202029

EMAIL:TECHNICAL@SAGITTARIUSTAPS.CO.UK