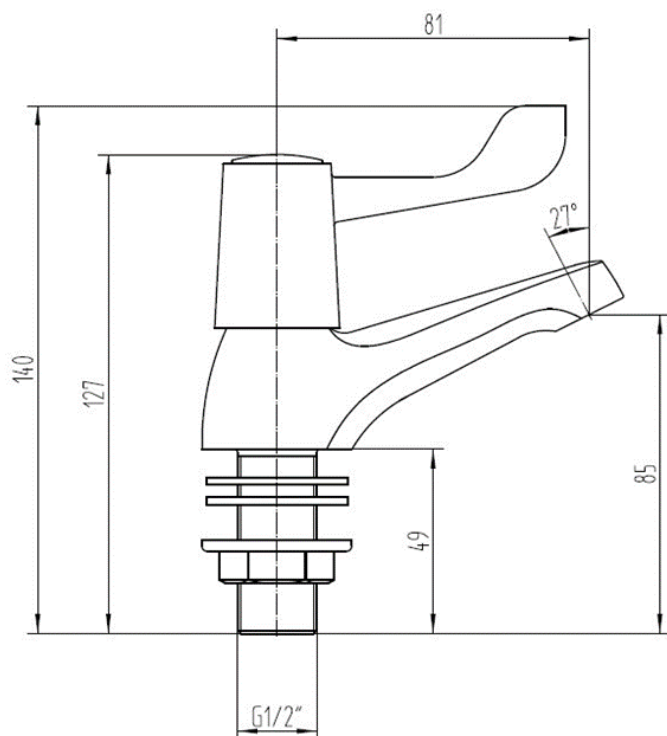


SAGITTARIUS

TAPS & SHOWERING

CONTRACT LEVER BASIN MIXER CL/101/C

Finishes	Chrome plated to BS EN 248
Product Type	Contemporary
Water Pressure Tested Between Standards	Min. 0.1 bar, Max. 6.0 bar Complies with BS5412, BS EN200
Cartridge	Ceramic Disc
Fitting	1/2" BSP flexible tail connections
Net Weight (Tap only)	975g
Aerator	Laminar spout
Guarantee	10 years against manufacturing faults (excluding serviceable parts)

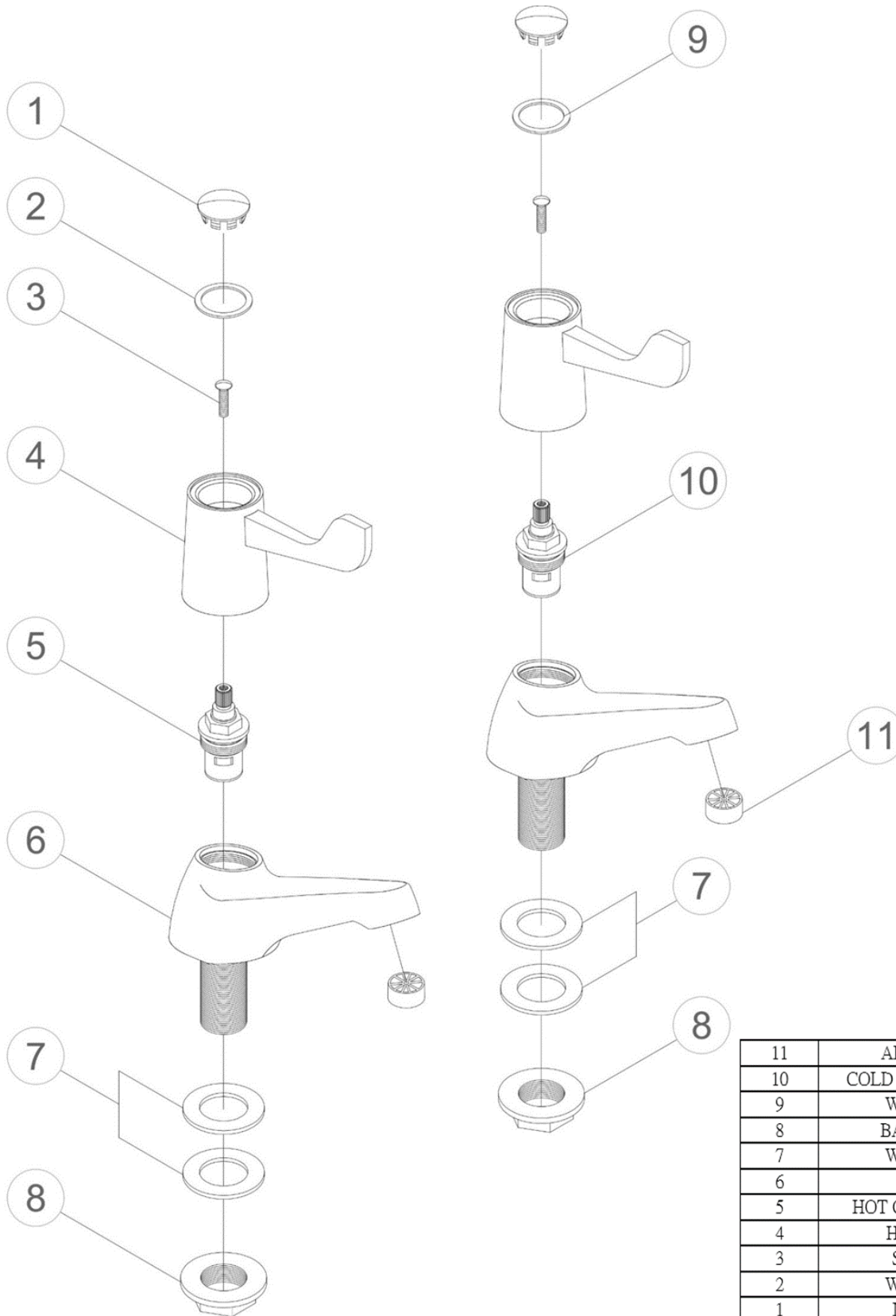


The information contained on this page was correct at the date of issue. Fitting dimensions are provided as a guide only. Some variation may occur due to manufacturing tolerances. We pursue a policy of continuing improvement in design and performance of our products and so reserve the right to change specifications without prior notice

FOR FURTHER ADVICE PLEASE CONTACT :-
SAGITTARIUS LTD UNIT 1 LOWER VICTORIA STREET—CHADDERTON—OLDHAM—OL9 9TU TEL:0616 6202029
EMAIL:TECHNICAL@SAGITTARIUSTAPS.CO.UK

Flow Rates (Litres per minute)

System Pressure	0.1 Bar	0.2 Bar	0.3 Bar	0.5 Bar	1.0 Bar	1.5 Bar	2.0 Bar	3.0 Bar	4.0 Bar	5.0 Bar
	-	8.40	-	12.80	18.90	22.20	24.30	26.40	-	-



11	AERATOR	2
10	COLD CARTRIDGE	1
9	WASHER	1
8	BACKNUT	2
7	WASHER	4
6	BODY	1
5	HOT CARTRIDGE	1
4	HANDLE	2
3	SCREW	2
2	WASHER	1
1	INDICE	2
No.	DESCRIPTION	QTY

FOR FURTHER ADVICE PLEASE CONTACT :-

SAGITTARIUS LTD UNIT 1 LOWER VICTORIA STREET—CHADDERTON—OLDHAM—OL9 9TU TEL:0616 6202029

EMAIL:TECHNICAL@SAGITTARIUSTAPS.CO.UK