

SAGITTARIUS

TAPS & SHOWERING

EXPOSED THERMOSTAIC SHOWER VALVE & RIGID RISER WITH DIVERTER CH/911/C

Construction	Brass Body, Brass Handle
Finish	Chrome
Style	Traditional
Working Pressure Test- ed Between	Min 0.2 Bar; Max Bar
Connection Inlet	15mm Female Compression
Cartridge	Brass
Guarentee	10 years on chromne finish, 3 year serviceable parts WRAS &TMV3 approved

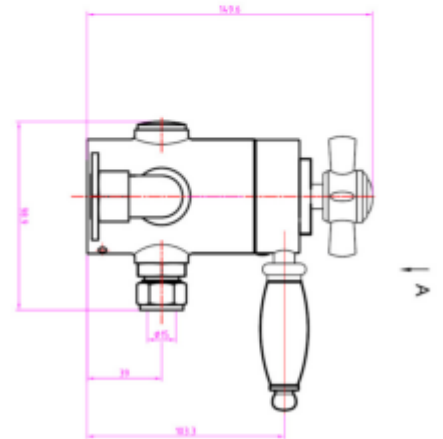
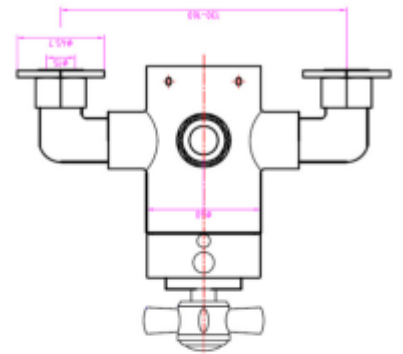
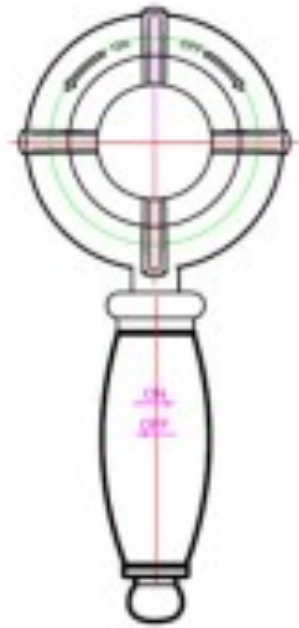
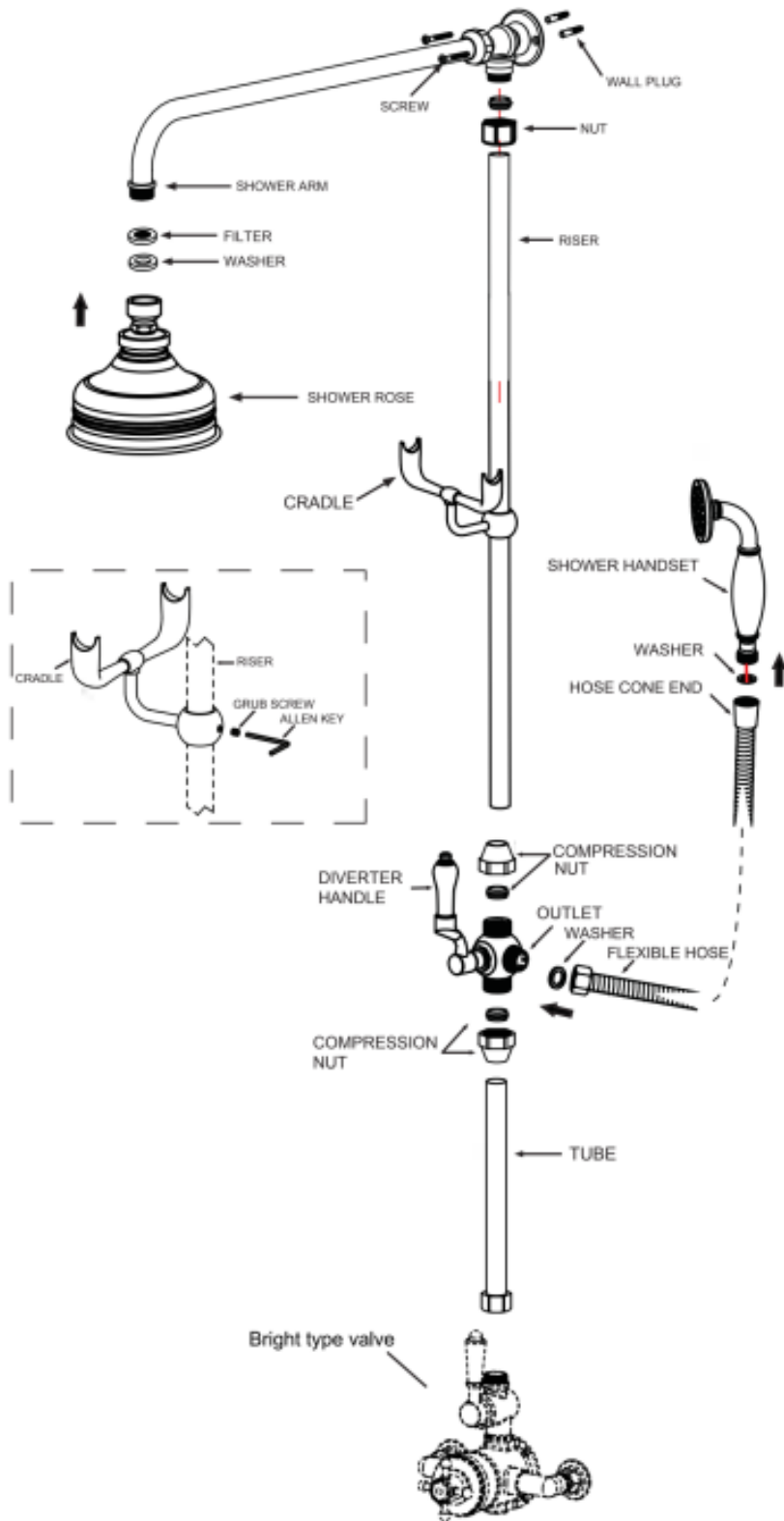


The information contained on this page was correct at the date of issue. Fitting dimensions are provided as a guide only. Some variation may occur due to manufacturing tolerances. We pursue a policy of continuing improvement in design and performance of our products and so reserve the right to change specifications without prior notice

FOR FURTHER ADVICE PLEASE CONTACT :-

SAGITTARIUS LTD UNIT 1 LOWER VICTORIA STREET—CHADDERTON—OLDHAM—OL9 9TU TEL:0616 6202029

EMAIL:TECHNICAL@SAGITTARIUSTAPS.CO.UK



Product Code	Description	Cartridge Size	AREATOR	TEST DATE	0.1 Bar	0.2 Bar	0.3 Bar	0.5 Bar	1.0 Bar	1.5 Bar	2.0 Bar	3.0 Bar	Recommended Pressure
valve	130 - 160 adjustable concentric thermostatic valve	SPT thermostatic				3.4		5.7	12.4		19.6		MH

FOR FURTHER ADVICE PLEASE CONTACT :-
 SAGITTARIUS LTD UNIT 1 LOWER VICTORIA STREET—CHADDERTON—OLDHAM—OL9 9TU TEL:0616 6202029
 EMAIL:TECHNICAL@SAGITTARIUSTAPS.CO.UK