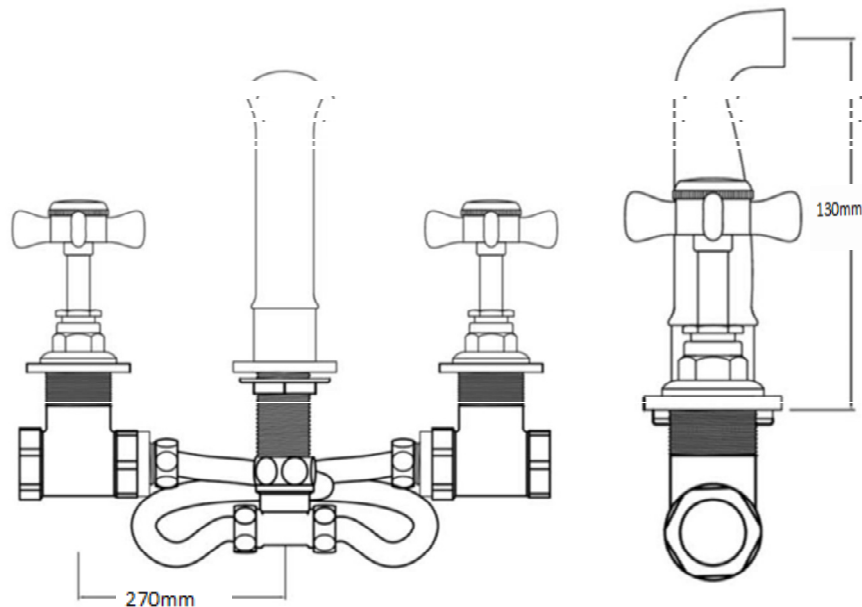


SAGITTARIUS

TAPS & SHOWERING

Construction	Brass Body, Brass Handle
Finish	Chrome
Style	Traditional
Water Pressure Tested Between	Min 0.1 bar, max 5.0bar
Plumbing systems	Suitable for all plumbing systems
Connection inlet	1/2" BSP
Cartridge	Standard Turn
Guarantee	10years on chrome finish, 3 years serviceable parts

CHURCHMAN W/MOUNTED 3 HOLE BASIN CHROME CH/171/C



The information contained on this page was correct at the date of issue. Fitting dimensions are provided as a guide only. Some variation may occur due to manufacturing tolerances. We pursue a policy of continuing improvement in design and performance of our products and so reserve the right to change specifications without prior notice

FOR FURTHER ADVICE PLEASE CONTACT :-

SAGITTARIUS LTD UNIT 1 LOWER VICTORIA STREET—CHADDERTON—OLDHAM—OL9 9TU TEL:0616 6202029

EMAIL:TECHNICAL@SAGITTARIUSTAPS.CO.UK