

SAGITTARIUS

TAPS & SHOWERING

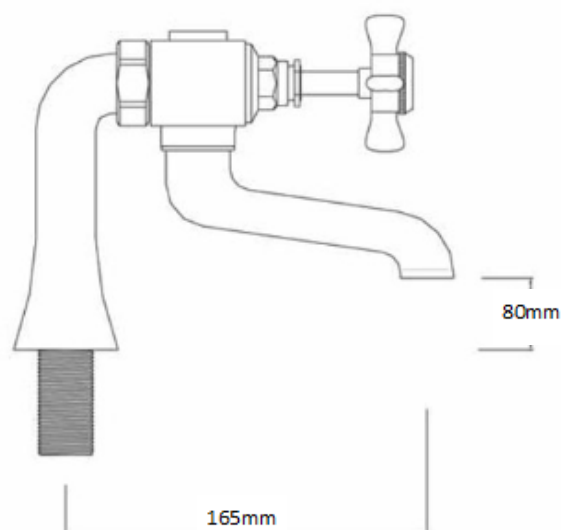
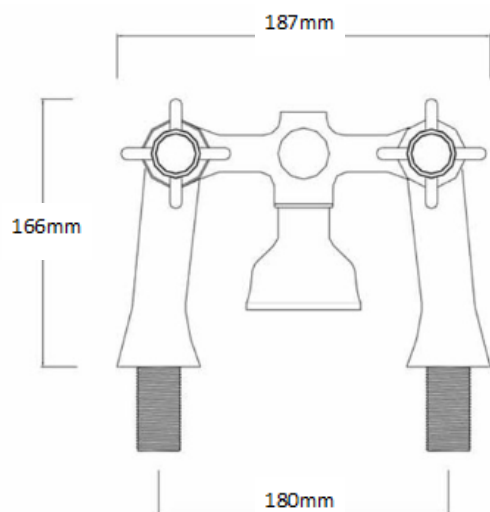
Construction Brass Body, Brass Handle
Finish Chrome
Style Traditional
Water Pressure Tested Between;
Min 0.1 bar, max 5.0bar P
Plumbing systems Suitable for all plumbing systems

CHURCHMAN BATH FILLER

CHROME

CH/104/C

Connection inlet 3/4" BSP
Cartridge Standard Turn
Guarantee 10years on chrome finish, 3 years serviceable parts



The information contained on this page was correct at the date of issue. Fitting dimensions are provided as a guide only. Some variation may occur due to manufacturing tolerances. We pursue a policy of continuing improvement in design and performance of our products and so reserve the right to change specifications without prior notice

FOR FURTHER ADVICE PLEASE CONTACT :-

SAGITTARIUS LTD UNIT 1 LOWER VICTORIA STREET—CHADDERTON—OLDHAM—OL9 9TU TEL:0616 6202029

EMAIL:TECHNICAL@SAGITTARIUSTAPS.CO.UK