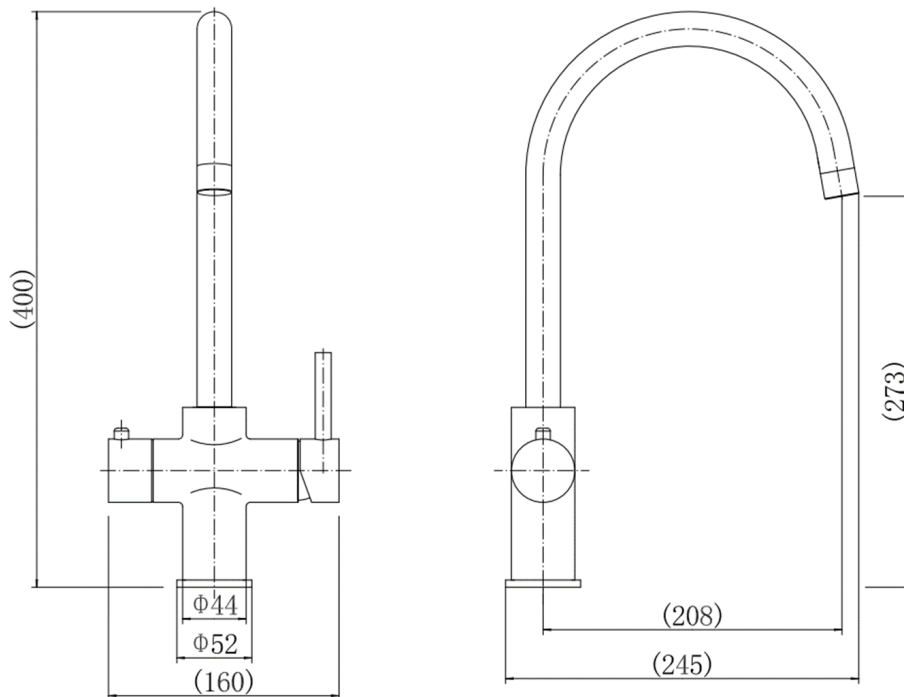


SAGITTARIUS

TAPS & SHOWERING

HYDRO CURVED SPOUT HOT-COLD & BOILING WATER TAP WITH FILTER

Material	Brass body
Finishes	Chrome
Water Pressure Tested Between Standards Certification Cartridge Fitting Guarantee	Min. 0.2 bar, Max. 5.0 bar
Additional Information	Complies with BS5412, BS EN200 Manufactured to comply with WRAS Ceramic disc cartridge G 1/2" flexible connection hoses 10 years against manufacturing faults (excluding serviceable parts)
	1. 3-in-1 utility = Hot, Cold & Boiling Water 2. Insulated spout and operating handle prevent tap becoming too hot in use 3. Safety interlock & self closing handle avoid accidental select of boiling water 4. 360 degree swivel spout

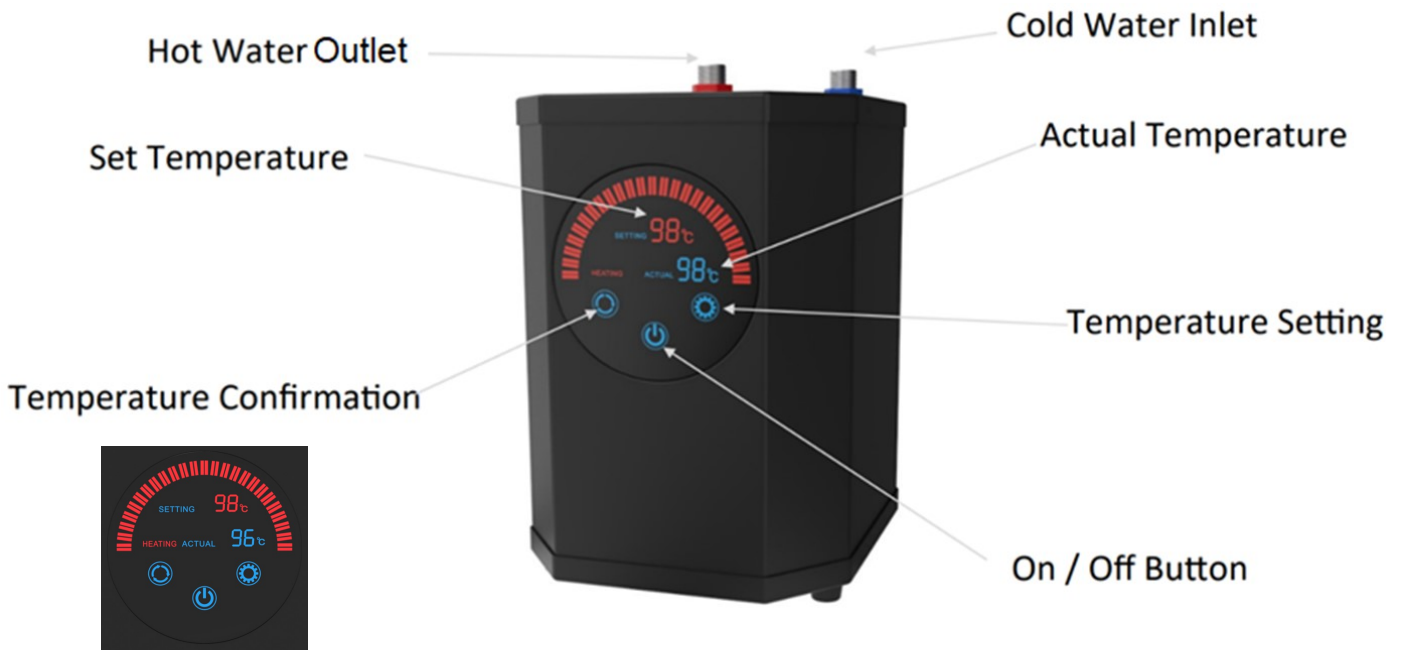


The information contained on this page was correct at the date of issue. Fitting dimensions are provided as a guide only. Some variation may occur due to manufacturing tolerances. We pursue a policy of continuing improvement in design and performance of our products and so reserve the right to change specifications without prior notice

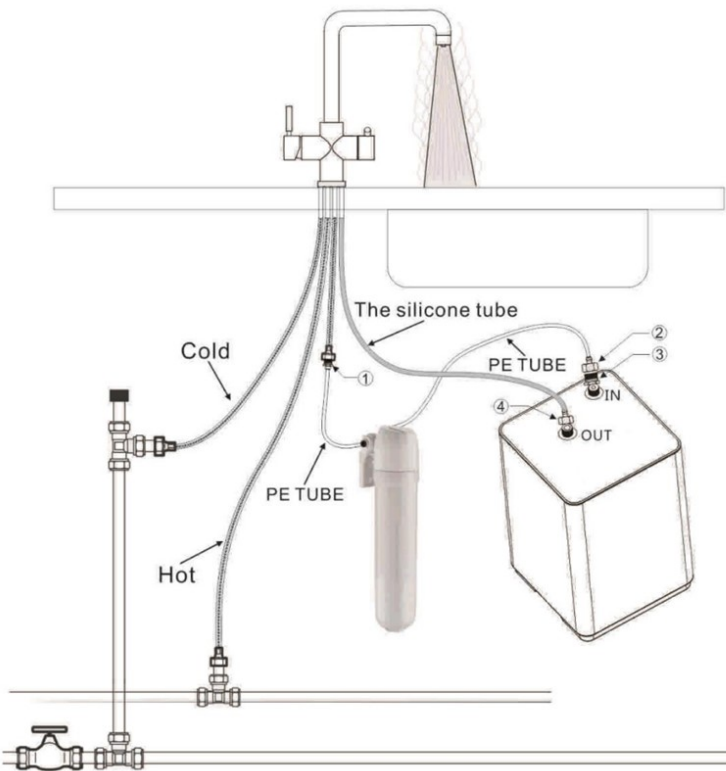
FOR FURTHER ADVICE PLEASE CONTACT :-

SAGITTARIUS LTD UNIT 1 LOWER VICTORIA STREET—CHADDERTON—OLDHAM—OL9 9TU TEL:0616 6202029





EMAIL:TECHNICAL@SAGITTARIUSTAPS.CO.UK



The installation diagram



PART LIST

NO	Description	Usage	Picture	Packed in
1	G 1/2" male & PE tube adaptor	Connect with G 1/2" Female hose from tap	 (Plastic)	Boiler box
2	G 1/2" (Female) & PE tube adaptor	Connect To connection marked fitting No3	 (Plastic)	Boiler box
3	G 3/8" Female & G 1/2" male adaptor	Connect to Part *IN* of Boiler	 (Metal)	Boiler box
4	G 3/8" female & quick connection adaptor	Connect to Part *OUT* of Boiler and connect silicone tube.	 (Metal)	Boiler box

Flow Rates (Litres per minute)

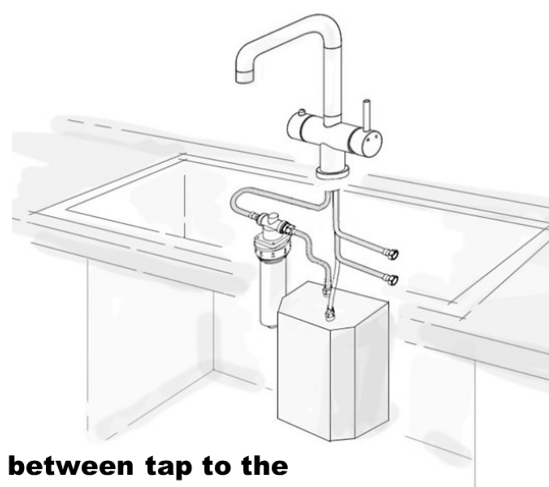
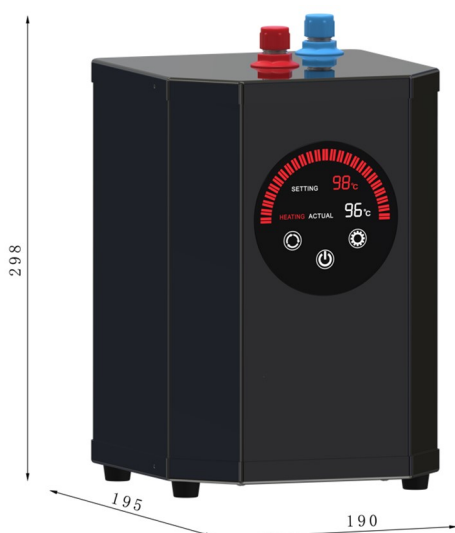
System Pressure	0.1 Bar	0.2 Bar	0.3 Bar	0.5 Bar	1.0 Bar	1.5 Bar	2.0 Bar	3.0 Bar	4.0 Bar	5.0 Bar
	-	-	-	0.8	1.2	1.5	1.8	2.2	2.6	3.2

FOR FURTHER ADVICE PLEASE CONTACT :-

SAGITTARIUS LTD UNIT 1 LOWER VICTORIA STREET—CHADDERTON—OLDHAM—OL9 9TU TEL:0616 6202029

EMAIL:TECHNICAL@SAGITTARIUSTAPS.CO.UK

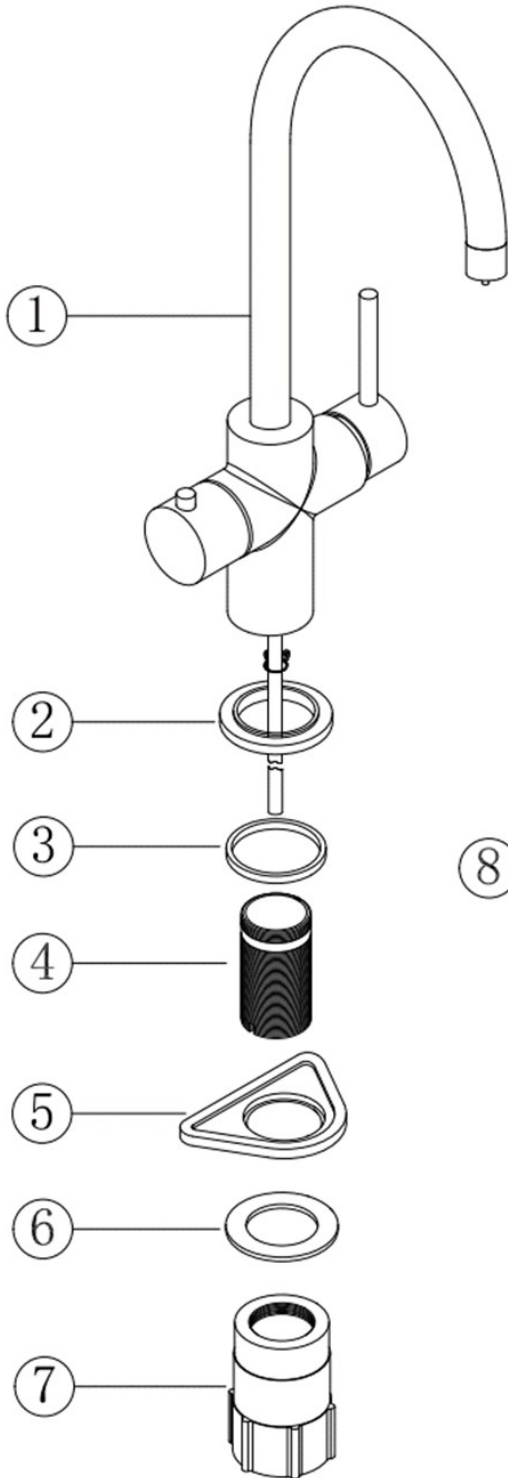
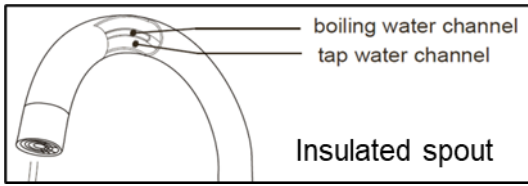
Material	Stainless Steel
Finishes	Black
Water Pressure	Min. 1.5 bar, Max. 5.0 bar
Water Tank Capacity	2.4L maximum tank capacity
Temperature	Instant hot drinking water, 75°C - 98°C at tank
Working Nature	Allow about 10 minutes for the water inside the tank to reach its maximum temperature when filled in an empty tank at 17°C.
Plumbing Systems	Suitable for all plumbing systems, preferably balanced Max. supply pressure differential requirement no greater than 5:1
Standards Certification	Complies with BS5412, BS EN200 WRAS and UKCA approved and certificated
Power Supply Requirements	AC 220/240V, 50Hz, 13 Amps fused, ground electrical power supply
Fitting	1. Supplied with two PE 10 mm inlet hoses 2. 3/8" BSP Connector
Guarantee	3 years with AV filter against manufacturing faults (excluding serviceable parts) 1 year with normal filter against manufacturing faults (excluding serviceable parts) The tank must be installed with a water filter for the product warranty to be valid. The water filter need to be regularly changed or replaced (every 6 months) to avoid system debris and limescale going into the tank
Additional Information	1. Cable pre-wired for ease of installation, easy to install 2. Suitable for use in all property with standard electricity supply & plumbing system 3. Front touch screen digital display, can show the virtual temperature in the tank



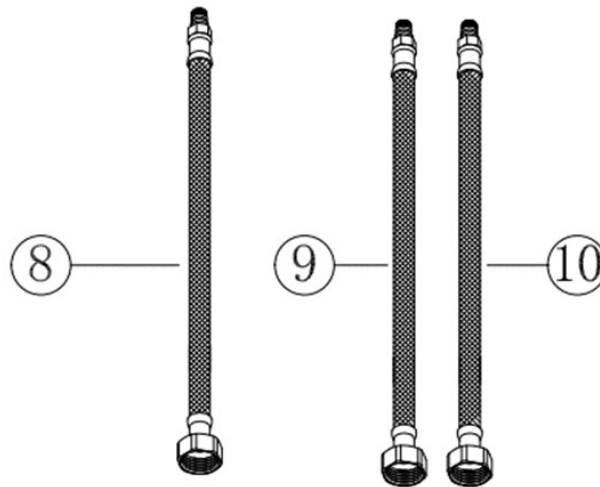
Piping between tap to the boiling water tank

Flow Rates (Litres per minute)

System Pressure	0.1 Bar	0.2 Bar	0.3 Bar	0.5 Bar	1.0 Bar	2.0 Bar	3.0 Bar	4.0 Bar	4.5 Bar
(Tap Water)	-	3.7	-	5.6	7.4	10.3	12.6	-	-
(Pure Water)	-	1.4	-	2.3	3.2	4.6	5.7	-	-



NO.	ITEM	QUANTITY
1	TAP BODY	1
2	BASE PLATE	1
3	WASHER	1
4	FIXING PIPE	1
5	FIXING PLATE	1
6	WASHER	1
7	FIXING KIT	1
8	FLEXI-TAIL	1
9	FLEXI-TAIL	1
10	FLEXI-TAIL	1



Healthy water, healthy life.

EcoFast Filter

The quick change, auto shut-off environmentally friendly drinking water filter for commercial and domestic use.

- The quarter turn action of removing the filter body from the head automatically switches off the water supply
- Quick-change design for fast, sanitary changeover of filter elements
- Replace filter element only: >80% less plastic waste than other available cartridge filters
- Threaded mount ceramic filter candle for quick maintenance of filter system
- Integral mounting bracket incorporated into head for ease of installation
- Push-fit connections in head available in either 1/4" and 3/8" size for convenient installation in coolers or domestic applications
- Available with the full range of Doulton® ceramic and alternative filter elements
- 6 month ceramic filter life under typical operating conditions

EcoFast low waste, high-performance water filter.

- Takes Doulton® 10" long x 2" diameter ceramic filter candles
- A wide range of ceramic filter candle grades are available depending on what you need to filter from your drinking water
- Ceramic filter candles reduce harmful bacteria, cysts, particles and turbidity
- Carbon cored ceramic filter candles also reduce chlorine to improve taste and odour of drinking water



Technical Specifications

Connections

Either 1/4" and 3/8" push-fit inlet and outlet suitable for connection to flexible plastic pipe

Flow Rate

Unrestricted flow rate of up to 275 litres/hour at 60psi (4 bar) supply pressure

Working Pressure Range

1.4 bar (20psi) - 6 bar (90psi)

Working Temperature Range

Recommended range 5-30°C (41-86°F)



FOR FURTHER ADVICE PLEASE CONTACT :-

SAGITTARIUS LTD UNIT 1 LOWER VICTORIA STREET—CHADDERTON—OLDHAM—OL9 9TU TEL:0616 6202029

EMAIL:TECHNICAL@SAGITTARIUSTAPS.CO.UK

Healthy water, healthy life.

EcoFast Filter

Multistage filtration in one filter candle

Stage 1

Outer shell - Micro Filtration

Stage 2

Anti-bacterial formulation contains silver to inhibit microbiological growth within the ceramic element

Stage 3

Activated carbon in the Supercarb[®] and Ultracarb[®] takes out chlorine and organics improving taste and odour

Stage 4

Ultracarb[®] candle takes out toxic lead



			Sterasy [®]	Supercarb [®]	Ultracarb [®]
Pathogenic Organism Removal	Bacterial Removal	E. Coli, Cholera, Shigella Typhoid, Klebsiella Terrigena	✓	✓	✓
	Cyst Removal	Cryptosporidium	✓	✓	✓
		Giardia	✓	✓	✓
Trace Organics Removal	Insecticides	Lindane		✓	✓
	Herbicides	Atrazine		✓	✓
	Phenols	TCP		✓	✓
	Polyaromatic Hydrocarbons	PAHs		✓	✓
	Trihalomethanes	Chloroform		✓	✓
Inorganics Removal	Free Chlorine Removal			✓	✓
	Lead Removal				✓

FOR FURTHER ADVICE PLEASE CONTACT :-

SAGITTARIUS LTD UNIT 1 LOWER VICTORIA STREET—CHADDERTON—OLDHAM—OL9 9TU TEL:0616 6202029

EMAIL:TECHNICAL@SAGITTARIUSTAPS.CO.UK