

SAGITTARIUS

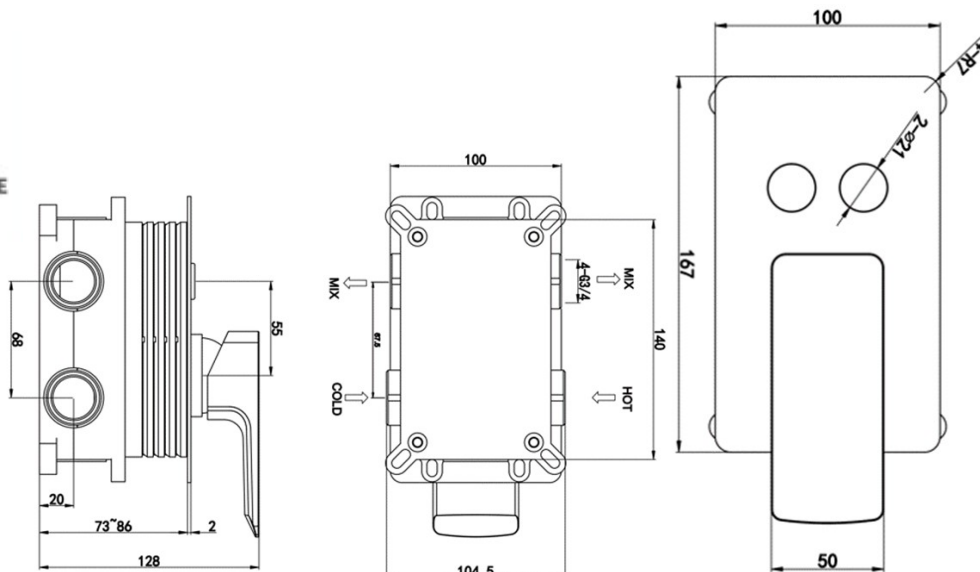
TAPS & SHOWERING

Construction	Brass Body, Zinc-alloy Handle
Finishes	Chrome (Ni : 8-12um, Cr : 0.25-0.3um)
Product Type	Contemporary
Water Pressure Tested Between Standards	Min. 0.2 bar, Max. 6.0 bar
Cartridge	Complies with BSEN 1111
Check Valve	WRAS approved CeramTec Triduo [®] Thermostatic Ceramic disc cartridge
Diverter	Neoperl DW15-PR
Wall Plate	Push Button Select Technology
Fitting	Brass, Chrome
Guarantee	Easy-box Inlet: Two G3/4" BSP Female thread (Hot and Cold); Outlet: Two G3/4" BSP Female thread
Additional Information	10 years against manufacturing faults (excluding serviceable parts) 1. Temperature: Pre-set 38°C. Max 45° C 2. Automatic shut off in the event of hot or cold water supply failure

BLADE CONCEALED BATH THERMOSTATIC SHOWER MIXER WITH DIVERTER BL/579



Operating Water Pressure



The information contained on this page was correct at the date of issue. Fitting dimensions are provided as a guide only. Some variation may occur due to manufacturing tolerances. We pursue a policy of continuing improvement in design and performance of our products and so reserve the right to change specifications without prior notice

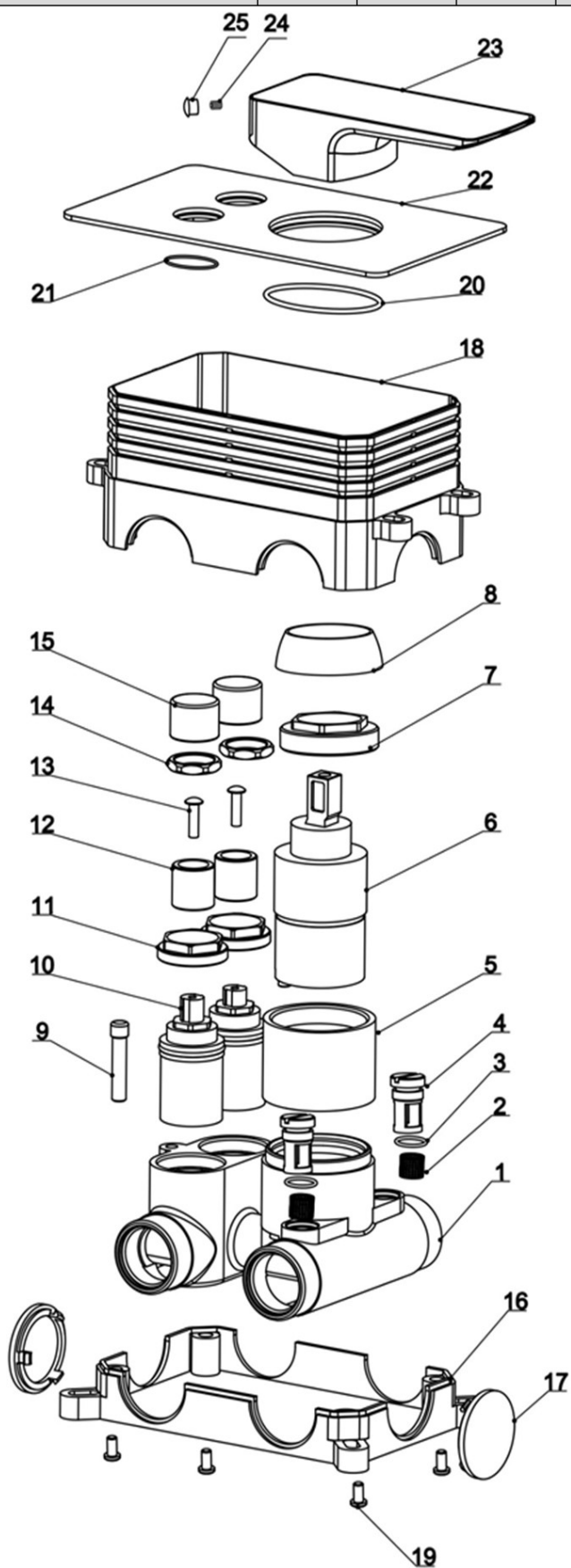
FOR FURTHER ADVICE PLEASE CONTACT :-

SAGITTARIUS LTD UNIT 1 LOWER VICTORIA STREET—CHADDERTON—OLDHAM—OL9 9TU TEL:0616 6202029

EMAIL:TECHNICAL@SAGITTARIUSTAPS.CO.UK

Flow Rates (Litres per minute)

System Pressure	0.1 Bar	0.2 Bar	0.3 Bar	0.5 Bar	1.0 Bar	1.5 Bar	2.0 Bar	3.0 Bar	4.0 Bar	5.0 Bar
	-	-	-	3.9	8.0	-	13.0	16.0	19.0	22.0



PART NO.	DESCRIPTION	QTY.
1	Body	1
2	Filter	2
3	O-ring	2
4	Nuts	2
5	Cartridge cover	1
6	Thermostatic cartridge	1
7	Cartridge nut	1
8	Shroud	1
9	Screw	1
10	Flow cartridge	2
11	Cartridge nut	2
12	Cover	2
13	Screw	2
14	Nuts	2
15	Buttons	2
16	Fitting plate	1
17	Hole covers	2
18	Fitting box	1
19	Screw	4
20	O-ring	1
21	O-ring	2
22	Cover plate	1
23	Handle	1
24	Grub	1
25	Grub cap	1

FOR FURTHER ADVICE PLEASE CONTACT :-

SAGITTARIUS LTD UNIT 1 LOWER VICTORIA STREET—CHADDERTON—OLDHAM—OL9 9TU TEL:0616 6202029

EMAIL:TECHNICAL@SAGITTARIUSTAPS.CO.UK